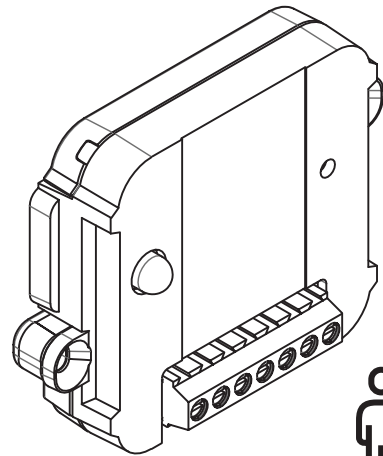


# tedee Dry Contact



**EN** | NEVER plug the device directly into an electrical outlet or 230V/110V power supply. High risk of electrocution and/or fire and physical injury, if ignored.

DO NOT touch the outputs of your installation without proper insulation (i.e. rubber gloves). Even when the device is turned off, the outputs may still be live (actively transmitting electricity).

All installation work should ALWAYS be performed with the power circuit disconnected.

**PL** | NIGDY nie podłączaj urządzenia bezpośrednio do gniazdka elektrycznego lub zasilania 230V/110V. Zignorowanie tego ostrzeżenia grozi porażeniem prądem, pożarem oraz obrażeniami ciała.

NIE DOTYKAJ wyjść instalacji bez odpowiedniej izolacji (np. gumowych rękawic). Nawet gdy urządzenie jest wyłączone, wyjścia mogą być pod napięciem (aktywnie przesyłając energię elektryczną).

Wszystkie prace instalacyjne należy ZAWSZE wykonywać przy odłączonym obwodzie zasilania.

**DE** | Schließen Sie das Gerät NIEMALS direkt an eine Steckdose oder eine 230V/110V-Stromversorgung an. Bei Nichtbeachtung dieser Warnung besteht die Gefahr von Stromschlägen, Feuer und Verletzungen.

Berühren Sie die Ausgänge des Systems NICHT ohne ausreichende Isolierung (z. B. Gummihandschuhe). Auch wenn das Gerät ausgeschaltet ist, können die Ausgänge unter Spannung stehen



(aktive Stromübertragung).

Führen Sie alle Installationsarbeiten IMMER bei abgeschaltetem Stromkreis durch.

**FR** | Ne branchez JAMAIS l'appareil directement sur une prise électrique ou une alimentation 230V/110V. En ignorant cet avertissement, vous vous exposez à des risques d'électrocution, d'incendie et de blessure.

NE PAS toucher les sorties du système sans une isolation adéquate (par exemple, des gants en caoutchouc). Même lorsque l'appareil est éteint, les sorties peuvent être sous tension (transmission active d'électricité).

Effectuez TOUJOURS tous les travaux d'installation en débranchant le circuit d'alimentation.

**ES** | NUNCA conecte la unidad directamente a una toma de corriente o a una fuente de alimentación de 230V/110V. Si ignora esta advertencia, corre el riesgo de sufrir descargas eléctricas, incendios y lesiones.

NO toque las salidas del sistema sin un aislamiento adecuado (por ejemplo, guantes de goma). Incluso cuando la unidad está apagada, las salidas pueden estar bajo tensión (transmitiendo electricidad activamente).

Realice SIEMPRE todos los trabajos de instalación con el circuito de alimentación desconectado.

**IT** | Non collegare MAI l'unità direttamente a una presa di corrente o a un'alimentazione a 230V/110V. Ignorando questa avvertenza si rischia scosse elettriche, incendi e lesioni.

NON toccare le uscite del sistema senza un adeguato isolamento (ad es. guanti di gomma). Anche quando l'unità è spenta, le uscite possono essere sotto tensione

(trasmettono attivamente elettricità).

Eseguire SEMPRE tutti i lavori di installazione con il circuito di alimentazione scollegato.

**PT** | NUNCA ligue a unidade diretamente a uma tomada elétrica ou a uma fonte de alimentação de 230V/110V. Ignorar este aviso pode provocar choques elétricos, incêndios e ferimentos.

NÃO toque nas saídas do sistema sem um isolamento adequado (por exemplo, luvas de borracha). Mesmo quando a unidade está desligada, as saídas podem estar sob tensão (transmitindo electricidade ativamente).

Efectue SEMPRE todos os trabalhos de instalação com o circuito de alimentação desligado.

**DA** | Tilslut ALDRIG enheden direkte til en stikkontakt eller en 230V/110V-strømforsyning. Hvis denne advarsel ignoreres, er der risiko for elektrisk stød, brand og personskade.

Rør IKKE ved systemets udgange uden tilstrækkelig isolering (f.eks. gummihandsker). Selv når enheden er slukket, kan udgangen være strømførende (aktivt transmitterende elektricitet).

Utfør ALTID alt installasjonsarbeid med strømkretsen frakoblet.

**NL** | Sluit het apparaat NOOIT rechtstreeks aan op een stopcontact of 230V/110V voeding. Het negeren van deze waarschuwing kan leiden tot elektrische schokken, brand en verwondingen.

Raak de uitgangen van het systeem NIET aan zonder afdoende isolatie (bv. rubberen handschoenen). Zelfs als de unit is uitgeschakeld, kunnen de uitgangen onder spanning staan (actief elektriciteit uitzendend).

Voer alle installatiewerkzaamheden ALTIJD uit terwijl het stroomcircuit is uitgeschakeld.

**SE** | Anslut ALDRIG enheten direkt till ett eluttag eller 230V/110V strömförsörjning. Om du ignorerar denna varning finns risk för elektriska stötar, brand och personskador.

Vidrör INTE systemets utgångar utan tillräcklig isolering (f.ex. gummihandskar). Även när enheten är avstängd kan utgångarna vara spänningsförande (aktivt överföra elektricitet).

Utför ALLTID allt installationsarbete med strömkretsen frånkopplad.

**NO** | Koble ALDRI enheten direkte til en stikkontakt eller 230V/110V strømforsyning. Hvis du ignorerer denne advarselen, risikerer du elektrisk støt, brann og personskade.

IKKE ta på systemets utganger uten tilstrekkelig isolasjon (f.eks. gummihandsker). Selv når enheten er slått av, kan utgangen være spenningsførende (aktivt overføring av elektrisitet).

Utfør ALLTID alt installasjonsarbeid med strømkretsen frakoblet.

**FI** | ÄLÄ KOSKAAN kytke laitetta suoraan pistorasiaan tai 230V/110V virtalähteeseen. Tämän varoituksen huomiotta jättäminen aiheuttaa sähköiskun, tulipalon ja loukkaantumisen vaaran.

ÄLÄ koske järjestelmän ulostuloihin ilman riittävää eristystä (esim. kumihanskat). Vaikka yksikkö olisi kytketty pois päältä, lähdöt voivat olla jännitteisiä (lähettää aktiivisesti sähköä).

Suorita AINA kaikki asennustyöt virtapiirin ollessa katkaistuna.

**RO** | Nu conectați NICIODATĂ unitatea direct la o priză electrică sau la o sursă de alimentare de 230V/110V. Dacă ignorați acest avertisment, riscați să vă electrocuțate, să provocați incendii și să vă răniți.

NU atingeți ieșirile sistemului fără o izolație adecvată (de exemplu, mănuși de cauciuc). Chiar și atunci când unitatea este oprită, ieșirile pot fi sub tensiune (transmit electricitate în mod activ).

Efectuați ÎNTOTDEAUNA toate lucrările de instalare cu circuitul de alimentare deconectat.

**BG** | НИКОГА не свързвайте устройството директно към електрически контакт или захранване 230V/110V. Пренебрегването на това предупреждение крие риск от токов удар, пожар и нараняване.

НЕ докосвайте изходите на системата без подходяща изолация (например, гумени ръкавици). Дори когато устройството е изключено, изходите може да са под напрежение (активно да предават електричество).

ВСИЧКИ монтажни работи извършвайте при изключена електрическа верига.

**EL** | ΠΟΤΕ μην συνδέετε τη μονάδα απευθείας σε ηλεκτρική πρίζα ή σε παροχή ρεύματος 230V/110V. Η αγνόηση αυτής της προειδοποίησης ενέχει κίνδυνο ηλεκτροπληξίας, πυρκαγιάς και τραυματισμού.

ΜΗΝ αγγίζετε τις εξόδους του συστήματος χωρίς επαρκή μόνωση (π.χ. λαστινένια γάντια). Ακόμη και όταν η μονάδα είναι απενεργοποιημένη, οι εξόδοι ενδέχεται να βρίσκονται υπό τάση (μεταδίδουν ενεργά ηλεκτρικό ρεύμα).

Πραγματοποιείτε ΠΑΝΤΑ όλες τις εργασίες εγκατάστασης με αποσυνδεδεμένο το κύκλωμα ρεύματος.

**CR** | NIKADA ne spajajte uređaj izravno na električnu utičnicu ili izvor napajanja od 230V/110V. Ignoriranje ovog upozorenja može rezultirati električnim udarom, požarom i ozljedama.

NE DIRAJTE instalacijske utičnice bez odgovarajuće izolacije (npr. gumene rukavice). Čak i kada je uređaj isključen, izlazi mogu biti pod naponom (aktivno prenose električnu energiju).

Sve instalacijske radove UVIJEK treba izvoditi s isključenim strujnim krugom.

**HU** | SOHA ne csatlakoztassa a készüléket közvetlenül konnektorhoz vagy 230V/110V-os tápegységhez. A figyelmeztetés figyelmen kívül hagyása áramütés, tűz és sérülés veszélyével jár.

NE érintse meg a rendszer kimeneteit megfelelő szigetelés (pl. gumikesztyű) nélkül. Még kikapcsolt állapotban is előfordulhat, hogy a kimenetek feszültség alatt állnak (aktívan továbbítják az áramot).

MINDIG végezzen el minden szerelési munkát a tápáramkör leválasztásával.

**RU** | НИКОГДА не подключайте устройство непосредственно к электрической розетке или источнику питания 230В/110В. Игнорирование этого предупреждения чревато поражением электрическим током, пожаром и травмами.

НЕ прикасайтесь к выходам системы без соответствующей изоляции (например, в резиновых перчатках). Даже когда устройство выключено, выходы могут находиться под напряжением (активно передавать электричество).

Всегда выполняйте все монтажные работы при отключенной цепи питания.



support@tedee.com



www.tedee.com/support



(+48) 22 307 72 67  
8.00 - 16.00 (CET)



**Tedee Sp. z o. o.**  
Karola Bohdanowicza 21/57  
02-127 Warszawa  
Poland

The Bluetooth® word mark and logos are registered trademarks owned by Bluetooth SIG, Inc. and any use of such marks by Tedee Sp. z o.o. is under license. Other trademarks and trade names are those of their respective owners.

Google, Android and Google Play are trademarks of Google LLC.

Apple and App Store are trademarks of Apple Inc. iOS is a trademark or registered trademark of Cisco in the U.S. and other countries and is used under license.

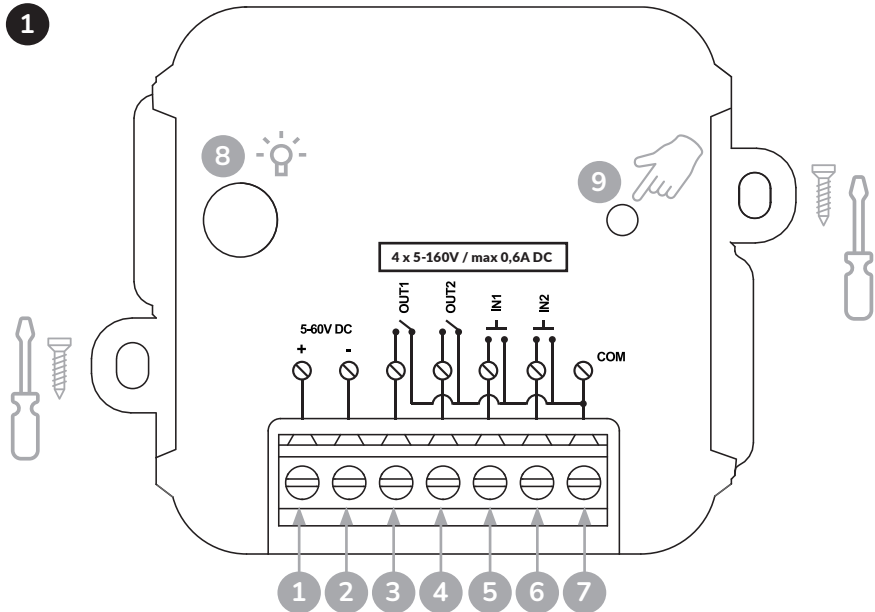


**FR**  
Cet appareil,  
ses piles  
et cordons  
se recyclent

À DÉPOSER  
EN MAGASIN  
OU  
À DÉPOSER  
EN DÉCHÈTERIE

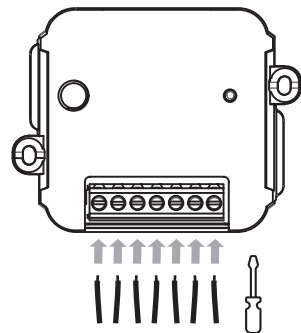
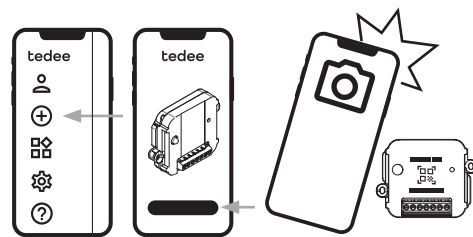
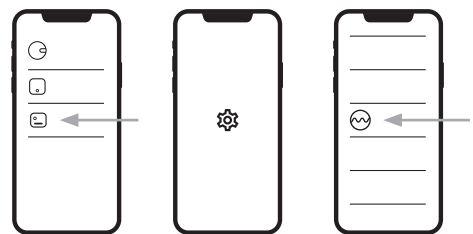
Points de collecte sur [www.quefairedemesdechets.fr](http://www.quefairedemesdechets.fr)



**1**

1. + DC 5-60V (power)
2. - DC 5-60V (power)
3. OUT1 - OUTPUT 1
4. OUT2 - OUTPUT 2
5. IN1 - INPUT 1

6. IN2 - INPUT 2
7. COM - COMMON
8. Status
9. Reset

**2****3****4****5**

# tedee Dry Contact

<b>EN: SAFETY INFORMATION</b> .....	<b>2</b>	<b>EL: ΠΛΗΡΟΦΟΡΙΕΣ ΑΣΦΑΛΕΙΑΣ</b> .....	<b>34</b>
<b>PL: INFORMACJE DOTYCZĄCE BEZPIECZEŃSTWA</b> .....	<b>4</b>	<b>HR: SIGURNOSNE INFORMACIJE</b> .....	<b>37</b>
<b>DE: SICHERHEITSINFORMATIONEN</b> .....	<b>6</b>	<b>HU: BIZTONSÁGI INFORMÁCIÓK</b> .....	<b>39</b>
<b>FR: CONSIDÉRATIONS SUR LA SÉCURITÉ</b> .....	<b>9</b>	<b>UA: ІНФОРМАЦІЯ З ТЕХНІКИ БЕЗПЕКИ</b> .....	<b>41</b>
<b>ES: INFORMACIÓN DE SEGURIDAD</b> .....	<b>11</b>	<b>RU: ТЕХНИКА БЕЗОПАСНОСТИ</b> .....	<b>44</b>
<b>IT: INFORMAZIONI SULLA SICUREZZA</b> .....	<b>14</b>	<b>ET: OHUTUSALANE TEAVE</b> .....	<b>46</b>
<b>PT: INFORMAÇÃO DE SEGURANÇA</b> .....	<b>16</b>	<b>LT: SAUGOS INFORMACIJA</b> .....	<b>48</b>
<b>DA: SIKKERHEDSOPLYSNINGER</b> .....	<b>18</b>	<b>LV: DROŠĪBAS INFORMĀCIJA</b> .....	<b>51</b>
<b>NL: VEILIGHEIDSINFORMATIE</b> .....	<b>20</b>	<b>CZ: BEZPEČNOSTNÍ INFORMACE</b> .....	<b>53</b>
<b>SV: SÄKERHETSINFORMATION</b> .....	<b>23</b>	<b>SK: BEZPEČNOSTNÉ INFORMÁCIE</b> .....	<b>55</b>
<b>NO: SIKKERHETSINFORMASJON</b> .....	<b>25</b>	<b>SL: VARNOSTNE INFORMACIJE</b> .....	<b>57</b>
<b>FI: TURVALLISUUSTIETOJA</b> .....	<b>27</b>	<b>GA: FAISNÉIS SÁBHÁILTEACHTA</b> .....	<b>59</b>
<b>RO: INFORMAȚII SIGURANȚĂ</b> .....	<b>29</b>	<b>MT: INFORMAZZJONI DWAR IS-SIGURTÀ</b> .....	<b>61</b>
<b>BG: ПРЕДПАЗНИ МЕРКИ</b> .....	<b>32</b>		

## EN | SAFETY INFORMATION

**WARNING:** Read all safety guidelines and warnings. Failure to follow the guidelines and warnings may result in electric shock, fire, and / or serious injury. Keep these instructions for future use.

To access the latest, most up-to-date version of these instructions visit: <https://tedee.com/support-3/safety-guidelines/warnings>

### WARNING

Connect the device only according to the instructions provided in this manual. Improper connections may cause fire or electric shock, damage the device and void the product warranty. If in doubt, contact a qualified electrician for support or the manufacturer.

### DANGER! RISK OF ELECTRIC SHOCK!

DO NOT touch the outputs of your installation without proper insulation (i.e. rubber gloves). Even when the device is turned off, the outputs may still be live (actively transmitting electricity). All installation work should ALWAYS be performed with the power circuit disconnected.

NEVER plug the device directly into an electrical outlet or 230V/110V power supply. High risk of electrocution and/or fire.

### DO NOT

- Do not open, modify or disassemble your device or its accessories.
- Do not self-service any part of the device. If repairs are required, please contact tedee technical support at <https://tedee.com/>
- Do not immerse the device in any liquid, water or expose it to moisture.
- Do not use the device near extreme heat source (such as radiator or chimney), cold source, open fire or other extreme conditions.
- Do not use the device in an environment of a high humidity or dust levels, as

well as high air pollution. Use the device indoors only.

- Do not insert any metal objects in device openings and gaps, except for cable ends connected according to the instructions.
- Do not handle any part of the device or its accessories with wet hands.
- Do not apply pressure to cables during the connection of the device beyond what is specified by the manufacturer to prevent damage or deformation.
- Do not attempt to forcefully remove cables from their sockets. In case of trouble, contact tedee support.
- Do not remove the insulation from the cables except at the cable ends used in the device's sockets.
- Do not install the device within the reach of children or animals, if possible. If an animal or child damages the integrity of the device (for example, the housing breaks), stop using the device and contact tedee technical support.
- The device should not be used by children under the age of 13 without adult supervision.
- Do not share your Tedee application login credentials or grant remote access to your premises to unauthorized persons. The manufacturer shall not be liable for damage caused by granting access to the premises to unauthorized personnel.

**WARNING:** Tedee dry contact may suffer from technical failure, so it may not be able to open your door lock. Always carry your smartphone and the key to the door lock with you or leave it in an accessible place so that the door can be unlocked manually in the event of such a device error.

### DO

- Follow the installation manual and safety precautions closely. If in doubt, contact tedee technical support.
- If repairs are required, please contact tedee technical support.
- Use only power supply voltage specified by tedee. Failure may cause damage to the device, not covered by the warranty.

## OTHER INFORMATION

- Not following recommendations included in this manual may be dangerous or cause a violation of the law. The manufacturer is not responsible for any loss or damage resulting from not following these instructions.
- This device is safe to use under normal and reasonably foreseeable misuse operating code of conduct. If you notice any signs of errors or hardware malfunction, contact tedee technical support for help. In such case this device should be returned to tedee for necessary repairs under the warranty conditions. Any changes or modifications to the device's hardware or software which are not approved, recommended, or provided by tedee may void your warranty.
- This device requires power source and Bluetooth(R) connection for proper operation. In order to pair the device with tedee bridge an Internet connection is required to use some of device's features. The manufacturer is not responsible for potential room access problems resulting from lack of internet access or failure or exhaustion of the power source.
- This device is not intended for use as part of a home security system. The manufacturer does not declare any anti-burglary properties or attestations, certificates or classes of anti-burglary protection for the device. The manufacturer shall not be liable for any potential damage/injury sustained due to theft, burglary or intrusion resulting from damage, overcoming or unauthorized gaining control of the device.
- This device may require the purchase of additional products to enable some of its features. If in doubt, please contact tedee support.
- Connecting the device to a power supply that does not meet the specifications outlined in EN 50081-1, EN 50082-1, UL508, and EN 60950 can void the warranty.

## MAINTENANCE

- Disconnect the product from the power supply before cleaning. Do not use any lubricants, cleaning agents, polishes or air fresheners on any part of the device. Wipe it with a dry cloth only.
- Never use a damaged cables when connecting the device.

- Do not attempt to disassemble the cable as this may expose you to electric shock.

## LEGAL / ENVIRONMENTAL NOTES

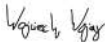
### EU DECLARATION OF CONFORMITY

Tedee Sp. z o.o. hereby declares that the Tedee Dry Contact TDCV1.0 radio device is in accordance with Directive 2014/53/EU. The full text of the EU Declaration of Conformity is available at the following internet address: <https://tedee.com/compliance>.

### PSSTI CYBERSECURITY STATEMENT OF COMPLIANCE

Manufacturer (Tedee Sp. z o.o., K. Bohdanowicza 21/57, 02-127 Warsaw, Poland) hereby declares that, in Tedee's opinion, this Tedee Dry Contact (TDCV1.0) with the defined support period of December 31, 2027 complies with the security requirements of Schedule 2 of the UK Product Security and Telecommunications Infrastructure Regulations 2023. The full text of the Statement of Compliance is available at the following internet address: [www.tedee.com/compliance](http://www.tedee.com/compliance).

Issued in Warsaw, March 3rd, 2024, on behalf of the Manufacturer:



### WEEE / ROHS

To prevent potential negative impact on the environment, consult your local laws and regulations for the proper disposal of electronic devices and batteries in your country. Disposal of batteries – if your tedee device contains batteries, do not dispose them with regular household waste. Hand them over to the appropriate recycling or collection point. Batteries used in tedee devices do not contain mercury, cadmium, or lead above the levels specified in 2006/66/EC Directive. Disposal of electronics - do not dispose your tedee device with regular household waste. Hand it over to the appropriate recycling or collection point.

## **BLUETOOTH®**

The Bluetooth® word mark and logos are owned by the Bluetooth SIG, Inc. and any use of such marks by Tedee Sp. z o.o. is under licence. Other trademarks and trade names are those of their respective owners.

Google, Android and Google Play are trademarks of Google LLC.

Apple and App Store are trademarks of Apple Inc. IOS is a trademark or registered trademark of Cisco in the U.S. and other countries and is used under license.

tedee® is a registered trademark of Tedee Sp. z o. o. Copyright (C) 2022. All rights reserved.

## **WARRANTY**

Tedee limited hardware warranty - Tedee Sp. z o.o. warrants that tedee devices are free from hardware defects in materials and workmanship for the period of not less than 2 years from the date of the first retail purchase. Tedee Sp. z o.o. does not take responsibility for the misuse of devices (including methods of charging other than described in this booklet), especially if any changes or modifications to the device hardware or software which are not approved, recommended, or provided by tedee, have been under- taken by the user. Full warranty information is available at the following link: [www.tedee.com/warranty](http://www.tedee.com/warranty)

## **PL | INFORMACJE DOTYCZĄCE BEZPIECZEŃSTWA**

**OSTRZEŻENIE:** Zapoznaj się z wszystkimi wytycznymi i ostrzeżeniami dotyczącymi bezpieczeństwa. Zignorowanie wskazówek i ostrzeżeń może spowodować porażenie prądem elektrycznym, pożar lub poważne obrażenia ciała. Zachowaj tę instrukcję na przyszłość.

Najbardziej aktualna wersja tej instrukcji jest dostępna na stronie: <https://tedee.com/>

## **OSTRZEŻENIE**

Urządzenie należy podłączać wyłącznie zgodnie z instrukcjami zawartymi w niniejszym podręczniku. Nieprawidłowe podłączenie może spowodować pożar lub porażenie prądem elektrycznym, uszkodzenie urządzenia i utratę gwarancji na produkt. W razie wątpliwości należy skontaktować się z wykwalifikowanym elektrykiem lub z producentem w celu uzyskania pomocy.

## **NIEBEZPIECZEŃSTWO! RYZYKO PORAŻENIA PRĄDEM!**

NIE WOLNO dotykać wyjść instalacji bez odpowiedniej izolacji (np. gumowych rękawic). Nawet gdy urządzenie jest wyłączone, wyjścia mogą być pod napięciem (aktywnie przesyłając energię elektryczną). Wszelkie prace instalacyjne należy ZAWSZE wykonywać ZAWSZE przy odłączonym obwodzie zasilania.

NIGDY nie podłączaj urządzenia bezpośrednio do gniazdka elektrycznego lub zasilania 230V/110V. Może to spowodować wysokie ryzyko porażenia prądem lub pożaru.

## **NIE**

- Nie wolno otwierać, modyfikować ani demontować urządzenia lub jego akcesoriów.
- Nie należy samodzielnie naprawiać żadnej części urządzenia. Jeśli wymagana jest naprawa, należy skontaktować się z pomocą techniczną Tedee pod adresem: <https://tedee.com>
- Nie należy zanurzać urządzenia w cieczy, wodzie ani nie wystawiać go na działanie wilgoci.
- Nie używaj urządzenia w pobliżu ekstremalnych źródeł ciepła (takich jak grzejnik lub komin), źródeł zimna, otwartego ognia lub innych ekstremalnych warunków.
- Nie używaj urządzenia w środowisku o dużej wilgotności lub zapyleniu, a także w środowisku o dużym zanieczyszczeniu powietrza. Z urządzenia należy

korzystać wyłącznie w pomieszczeniach.

- Nie wolno wkładać żadnych metalowych przedmiotów do otworów i szczelin urządzenia, z wyjątkiem końcówek przewodów podłączonych zgodnie z instrukcjami.
- Nie wolno dotykać żadnych części urządzenia ani jego akcesoriów mokrymi rękami.
- Nie należy wywierać nacisku na przewody podłączone do urządzenia w stopniu większym niż określony przez producenta, aby zapobiec ich uszkodzeniu lub odkształceniu.
- Nie należy próbować na siłę wyjmować przewodów z gniazd. W razie problemów należy skontaktować się z działem pomocy technicznej Tedee.
- Nie należy usuwać izolacji z przewodów, z wyjątkiem końcówek podłączonych do gniazdach urządzenia.
- Jeśli to możliwe, nie należy instalować urządzenia w zasięgu dzieci lub zwierząt. Jeśli zwierzę lub dziecko uszkodzi integralność urządzenia (na przykład uszkodzi obudowę), należy zaprzestać korzystania z urządzenia i skontaktować się z pomocą techniczną tedee.
- Urządzenie nie powinno być używane przez dzieci w wieku poniżej 13 lat bez nadzoru osoby dorosłej.
- Nie należy udostępniać danych logowania do aplikacji Tedee ani udzielać zdalnego dostępu do pomieszczeń osobom nieupoważnionym. Producent nie ponosi odpowiedzialności za szkody spowodowane udzieleniem dostępu do pomieszczeń osobom nieupoważnionym.

**OSTRZEŻENIE:** Urządzenie Tedee Dry Contact może ulec awarii technicznej, przez co może nie być w stanie otworzyć zamka. Należy zawsze mieć przy sobie smartfon i klucz do zamka drzwi lub pozostawić je w dostępnym miejscu, aby w razie błędu urządzenia możliwe było ręczne odblokowanie drzwi.

#### **TAK**

- Należy ściśle przestrzegać instrukcji instalacji i środków ostrożności. W razie wątpliwości należy skontaktować się z pomocą techniczną Tedee.
- W przypadku konieczności naprawy urządzenia, należy skontaktować się z

pomocą techniczną Tedee.

- Należy używać wyłącznie napięcia zasilania określonego przez Tedee. W przeciwnym razie może dojść do uszkodzenia urządzenia, które nie jest objęte gwarancją.

#### **INNE INFORMACJE**

- Nieprzestrzeganie zaleceń zawartych w niniejszej instrukcji może być niebezpieczne lub spowodować naruszenie prawa. Producent nie ponosi odpowiedzialności za jakiegokolwiek straty lub szkody wynikające z nieprzestrzegania tych instrukcji.
- To urządzenie jest bezpieczne w użyciu w normalnych i racjonalnie przewidywalnych warunkach niewłaściwego użytkowania. W przypadku zauważenia jakichkolwiek oznak błędów lub nieprawidłowego działania sprzętu należy skontaktować się z działem pomocy technicznej firmy Tedee w celu uzyskania pomocy. W takim przypadku urządzenie należy zwrócić do firmy Tedee w celu dokonania niezbędnych napraw zgodnie z warunkami gwarancji. Wszelkie zmiany lub modyfikacje sprzętu lub oprogramowania urządzenia, które nie zostały zatwierdzone, zalecane lub dostarczone przez firmę Tedee, mogą spowodować utratę gwarancji.
- To urządzenie wymaga źródła zasilania i połączenia Bluetooth(R) do prawidłowego działania. Aby sparować urządzenie z mostkiem Tedee, do korzystania z niektórych funkcji urządzenia, wymagane jest połączenie z Internetem. Producent nie ponosi odpowiedzialności za potencjalne problemy z dostępem do pomieszczenia wynikające z braku dostępu do Internetu lub awarii lub wyczerpania źródła zasilania.
- To urządzenie nie jest przeznaczone do użytku jako część domowego systemu bezpieczeństwa. Producent nie deklaruje żadnych właściwości antywłamaniowych ani atestów, certyfikatów lub klas ochrony antywłamaniowej urządzenia. Producent nie ponosi odpowiedzialności za jakiegokolwiek potencjalne szkody lub urazy poniesione w wyniku kradzieży, włamania lub włamania wynikającego z uszkodzenia, pokonania lub nieuprawnionego przejęcia kontroli nad urządzeniem.
- To urządzenie może wymagać zakupu dodatkowych produktów w celu

włączenia niektórych jego funkcji. W razie wątpliwości prosimy o kontakt z działem pomocy technicznej Tedee.

- Podłączenie urządzenia do zasilacza, który nie spełnia specyfikacji określonych w normach EN 50081-1, EN 50082-1, UL508 i EN 60950 może spowodować unieważnienie gwarancji.

#### **KONSERWACJA**

- Przed przystąpieniem do czyszczenia należy odłączyć produkt od źródła zasilania. Nie używaj żadnych smarów, środków czyszczących, past ani odświeżaczy powietrza na żadnej części urządzenia. Urządzenie należy przecierać wyłącznie suchą szmatką.
- Nigdy nie używaj uszkodzonych przewodów podczas podłączania urządzenia.

#### **UWAGI PRAWNE / ŚRODOWISKOWE**

##### **DEKLARACJA ZGODNOŚCI UE**

Tedee Sp. z o.o. niniejszym oświadcza, że urządzenie radiowe Tedee Dry Contact TDCV1.0 jest zgodne z Dyrektywą 2014/53/UE. Pełny tekst deklaracji zgodności UE jest dostępny pod następującym adresem internetowym: <https://tedee.com/compliance>.

##### **WEEE / ROHS**

Aby zapobiec potencjalnemu negatywnemu wpływowi na środowisko, należy zapoznać się z lokalnymi przepisami i regulacjami dotyczącymi prawidłowej utylizacji urządzeń elektronicznych i baterii w danym kraju. Utylizacja baterii - jeśli urządzenie Tedee zawiera baterie, nie należy wyrzucać ich razem ze zwykłymi odpadami domowymi. Należy przekazać je do odpowiedniego punktu recyklingu lub zbiórki. Baterie używane w urządzeniach tedee nie zawierają rtęci, kadmu ani ołowiu w ilościach przekraczających poziomy określone w dyrektywie 2006/66/WE. Utylizacja elektroniki - nie wyrzucaj urządzenia Tedee razem ze zwykłymi odpadami domowymi. Należy przekazać je do odpowiedniego punktu recyklingu lub zbiórki.

#### **BLUETOOTH®**

Znak słowny i logo Bluetooth® są własnością Bluetooth SIG, Inc. i każde użycie tych znaków przez Tedee Sp. z o.o. jest objęte licencją. Inne znaki towarowe i nazwy handlowe należą do ich właścicieli.

Google, Android i Google Play są znakami towarowymi Google LLC.

Apple i App Store są znakami towarowymi firmy Apple Inc. IOS jest znakiem towarowym lub zastrzeżonym znakiem towarowym Cisco w USA i innych krajach i jest używany na podstawie licencji.

tedee® jest zastrzeżonym znakiem towarowym Tedee Sp. z o. o. Copyright (C) 2022. Wszelkie prawa zastrzeżone.

#### **GWARANCJA**

Ograniczona gwarancja sprzętowa Tedee - Tedee Sp. z o.o. gwarantuje, że urządzenia Tedee są wolne od wad sprzętowych w zakresie materiałów i wykonania przez okres nie krótszy niż 2 lata od daty pierwszego zakupu detalicznego. Tedee Sp. z o.o. nie ponosi odpowiedzialności za niewłaściwe użytkowanie urządzeń (w tym metody ładowania inne niż opisane w niniejszej broszurze), w szczególności, jeśli użytkownik dokonał jakichkolwiek zmian lub modyfikacji sprzętu lub oprogramowania urządzenia, które nie zostały zatwierdzone, zalecane lub dostarczone przez Tedee. Pełne informacje na temat gwarancji są dostępne pod następującym adresem: [www.tedee.com/warranty](http://www.tedee.com/warranty)

#### **DE | SICHERHEITSINFORMATIONEN**

WARNUNG: Lesen Sie alle Sicherheitsrichtlinien und Warnhinweise. Die Nichtbeachtung der Richtlinien und Warnhinweise kann zu einem elektrischen Schlag, Brand und/oder schweren Verletzungen führen. Bewahren Sie diese Anweisungen für den späteren Gebrauch auf. Die neueste und aktuelle Version dieser Anweisungen finden Sie unter: [https://tedee.com/support-3/safety\\_guidelines/warnings](https://tedee.com/support-3/safety_guidelines/warnings)



## **WARNUNG**

Schließen Sie das Gerät nur gemäß den Anweisungen in diesem Handbuch an. Unsachgemäße Anschlüsse können Feuer oder einen elektrischen Schlag verursachen, das Gerät beschädigen und die Produktgarantie erlöschen lassen. Wenden Sie sich im Zweifelsfall an einen qualifizierten Elektriker oder an den Hersteller.

## **GEFAHR! GEFAHR EINES ELEKTRISCHEN SCHLAGES!**

Berühren Sie die Ausgänge Ihrer Anlage NICHT ohne entsprechende Isolierung (z. B. Gummihandschuhe). Auch wenn das Gerät ausgeschaltet ist, können die Ausgänge noch unter Spannung stehen (aktiv Strom übertragen). Alle Installationsarbeiten sollten IMMER bei abgeschaltetem Stromkreis durchgeführt werden.

Schließen Sie das Gerät NIEMALS direkt an eine Steckdose oder eine 230V/110V-Stromversorgung an. Es besteht die Gefahr eines Stromschlags und/oder Brandes.

## **ZU UNTERLASSEN**

- Öffnen, modifizieren oder demontieren Sie Ihr Gerät oder dessen Zubehör nicht.
- Reparieren Sie keine Teile des Geräts selbst. Wenn Reparaturen erforderlich sind, wenden Sie sich bitte an den technischen Kundendienst von Tedee unter <https://tedee.com/>
- Tauchen Sie das Gerät nicht in Flüssigkeiten oder Wasser ein und setzen Sie es nicht der Feuchtigkeit aus.
- Verwenden Sie das Gerät nicht in der Nähe von extremen Wärmequellen (z. B. Heizkörpern oder Schornsteinen), Kältequellen, offenem Feuer oder anderen extremen Bedingungen.
- Verwenden Sie das Gerät nicht in einer Umgebung mit hoher Luftfeuchtigkeit oder Staub sowie hoher Luftverschmutzung. Verwenden Sie das Gerät nur in Innenräumen.

- Stecken Sie keine Metallgegenstände in die Öffnungen und Spalten des Geräts, mit Ausnahme der vorschriftsmäßig angeschlossenen Kabelenden.
- Fassen Sie das Gerät oder sein Zubehör nicht mit nassen Händen an.
- Üben Sie beim Anschließen des Geräts keinen Druck auf die Kabel aus, der über die vom Hersteller angegebenen Werte hinausgeht, um Schäden oder Verformungen zu vermeiden.
- Versuchen Sie nicht, die Kabel gewaltsam aus den Buchsen zu ziehen. Bei Problemen wenden Sie sich bitte an den Kundendienst von Tedee.
- Entfernen Sie die Isolierung der Kabel nicht, außer an den Kabelenden, die in den Buchsen des Geräts verwendet werden.
- Installieren Sie das Gerät nach Möglichkeit nicht in der Reichweite von Kindern oder Tieren. Wenn ein Tier oder ein Kind die Unversehrtheit des Geräts beschädigt (z. B. das Gehäuse bricht), stellen Sie die Nutzung des Geräts ein und wenden Sie sich an den technischen Kundendienst von tedee.
- Das Gerät sollte von Kindern unter 13 Jahren nicht ohne Aufsicht von Erwachsenen verwendet werden.
- Geben Sie Ihre Anmeldeinformationen für die Tedee-Anwendung nicht weiter und gewähren Sie Unbefugten keinen Fernzugriff auf Ihre Räumlichkeiten. Der Hersteller haftet nicht für Schäden, die dadurch entstehen, dass unbefugten Personen Zugang zu den Räumlichkeiten gewährt wird.

**WARNUNG:** Das Tedee-Steuermodul Dry Contact kann einen technischen Defekt haben, sodass er Ihr Türschloss möglicherweise nicht öffnen kann. Tragen Sie Ihr Smartphone und den Schlüssel zum Türschloss immer bei sich oder lassen Sie ihn an einem zugänglichen Ort, damit die Tür im Falle eines solchen Gerätefehlers manuell entriegelt werden kann.

## **ZU BEFOLGEN**

- Befolgen Sie die Installationsanleitung und die Sicherheitsvorkehrungen genau. Wenden Sie sich im Zweifelsfall an den technischen Kundendienst von tedee.
- Falls Reparaturen erforderlich sind, wenden Sie sich bitte an den technischen Kundendienst von tedee.

- Nutzen Sie nur die von tedee angegebene Versorgungsspannung. Andernfalls kann es zu Schäden am Gerät kommen, die nicht von der Garantie abgedeckt sind.

#### **WEITERE INFORMATIONEN**

- Die Nichtbeachtung der in diesem Handbuch enthaltenen Empfehlungen kann gefährlich sein oder einen Verstoß gegen das Gesetz darstellen. Der Hersteller haftet nicht für Verluste oder Schäden, die sich aus der Nichtbeachtung dieser Anweisungen ergeben.
- Dieses Gerät ist bei normalem und vernünftigerweise vorhersehbarem Fehlgebrauch sicher zu benutzen. Wenn Sie Anzeichen von Fehlern oder Hardware-Fehlfunktionen feststellen, wenden Sie sich bitte an den technischen Kundendienst von tedee, um Hilfe zu erhalten. In einem solchen Fall sollte das Gerät zur notwendigen Reparatur im Rahmen der Garantiebedingungen an tedee zurückgeschickt werden. Jegliche Änderungen oder Modifikationen an der Hardware oder Software des Geräts, die nicht von tedee genehmigt, empfohlen oder bereitgestellt wurden, können zum Erlöschen der Garantie führen.
- Dieses Gerät benötigt eine Stromquelle und eine Bluetooth(R)-Verbindung für den ordnungsgemäßen Betrieb. Um das Gerät mit der tedee bridge zu koppeln, ist eine Internetverbindung erforderlich, um einige Funktionen des Geräts zu nutzen. Der Hersteller ist nicht verantwortlich für mögliche Probleme beim Zugang zum Raum, die aus einem fehlenden Internetzugang oder dem Ausfall oder der Erschöpfung der Stromquelle resultieren.
- Dieses Gerät ist nicht für die Verwendung als Teil eines Haussicherheitssystems vorgesehen. Der Hersteller deklariert keine einbruchhemmenden Eigenschaften oder Bescheinigungen, Zertifikate oder Klassen des Einbruchschutzes für das Gerät. Der Hersteller haftet nicht für mögliche Schäden/Verletzungen, die durch Diebstahl, Einbruch oder Eindringen infolge von Beschädigung, Überwindung oder unbefugter Inbesitznahme des Geräts entstehen.
- Dieses Gerät erfordert möglicherweise den Kauf zusätzlicher Produkte, um einige seiner Funktionen zu aktivieren. Im Zweifelsfall wenden Sie sich bitte

an den Kundendienst von Tedee.

- Der Anschluss des Geräts an eine Stromversorgung, die nicht den Spezifikationen gemäß EN 50081-1, EN 50082-1, UL508 und EN 60950 entspricht, kann zum Erlöschen der Garantie führen.

#### **WARTUNG**

- Trennen Sie das Gerät vor der Reinigung von der Stromversorgung. Verwenden Sie keine Schmiermittel, Reinigungsmittel, Polituren oder Lufterfrischer für die Teile des Geräts. Wischen Sie es nur mit einem trockenen Tuch ab.
- Verwenden Sie zum Anschließen des Geräts niemals ein beschädigtes Kabel.
- Versuchen Sie nicht, das Kabel zu demontieren, da Sie dadurch einen Stromschlag erleiden könnten.

#### **RECHTLICHE HINWEISE / HINWEISE ZUR UMGEBUNG**

##### **EU-KONFORMITÄTSERKLÄRUNG**

Tedee Sp. z o.o. erklärt hiermit, dass das Funkgerät Tedee Dry Contact TDCV1.0 mit der Richtlinie 2014/53/EU übereinstimmt. Der vollständige Text der EU-Konformitätserklärung ist unter der folgenden Internetadresse verfügbar: <https://tedee.com/compliance>.

##### **WEEE / ROHS**

Um mögliche negative Auswirkungen auf die Umwelt zu vermeiden, informieren Sie sich über die örtlichen Gesetze und Vorschriften für die ordnungsgemäße Entsorgung von elektronischen Geräten und Batterien in Ihrem Land. Entsorgung von Batterien - Wenn Ihr tedee Gerät Batterien enthält, entsorgen Sie diese nicht mit dem herkömmlichen Hausmüll. Geben Sie sie bei einer entsprechenden Recycling- oder Sammelstelle ab. Die in den tedee-Geräten verwendeten Batterien enthalten kein Quecksilber, Kadmium oder Blei über den in der Richtlinie 2006/66/EG festgelegten Werten. Entsorgung von Elektronik - Entsorgen Sie Ihr tedee Gerät nicht mit dem normalen Hausmüll. Geben Sie es bei der entsprechenden Recycling- oder Sammelstelle ab.

## **BLUETOOTH®.**

Die Bluetooth®-Wortmarke und -Logos sind Eigentum der Bluetooth SIG, Inc. und jede Verwendung dieser Marken durch Tedee Sp. z o.o. erfolgt unter Lizenz. Andere Marken und Handelsnamen sind Eigentum der jeweiligen Inhaber.

Google, Android und Google Play sind Marken von Google LLC.

Apple und App Store sind Marken von Apple Inc. IOS ist eine Marke oder eingetragene Marke von Cisco in den USA und anderen Ländern und wird unter Lizenz verwendet.

tedee® ist eine eingetragene Marke von Tedee Sp. z o. o. Copyright (C) 2022. Alle Rechte vorbehalten.

## **GARANTIE**

Tedee eingeschränkte Hardware-Garantie - Tedee Sp. z o.o. garantiert, dass die Tedee-Geräte frei von Hardware-Material- und Verarbeitungsfehlern sind, und zwar für einen Zeitraum von mindestens 2 Jahren ab dem Datum des ersten Kaufs. Tedee Sp. z o.o. übernimmt keine Verantwortung für den Missbrauch von Geräten (einschließlich anderer als in dieser Broschüre beschriebener Lademethoden), insbesondere wenn der Benutzer Änderungen oder Modifikationen an der Gerätehardware oder -software vorgenommen hat, die nicht von tedee genehmigt, empfohlen oder bereitgestellt wurden. Vollständige Informationen zur Garantie finden Sie unter folgendem Link: [www.tedee.com/warranty](http://www.tedee.com/warranty)

## **FR | INFORMATIONS SUR LA SÉCURITÉ**

ATTENTION : Lisez toutes les consignes de sécurité et toutes les mises en garde. Le non-respect de ces consignes et mises en garde peut entraîner un choc électrique, un incendie et/ou des blessures graves. Conservez ces instructions pour une utilisation ultérieure.

Pour accéder à la version la plus récente et la plus actualisée de ces instructions, visitez le site : <https://tedee.com/>

## **MISE EN GARDE**

Ne branchez l'appareil que conformément aux instructions fournies dans ce manuel. Des connexions incorrectes peuvent provoquer un incendie ou un choc électrique, endommager l'appareil et annuler la garantie du produit. En cas de doute, contactez un électricien qualifié ou le fabricant pour obtenir de l'aide.

## **DANGER ! RISQUE D'ÉLECTROCUTION !**

NE PAS toucher les sorties électriques de votre installation sans équipements de protection individuelle adéquats (e.g. : gants en caoutchouc). Même lorsque l'appareil est éteint, les sorties peuvent encore être sous tension (transmission active de l'électricité). TOUS les travaux d'installation doivent être effectués avec le circuit d'alimentation hors-tension.

Ne branchez JAMAIS l'appareil directement sur une prise électrique ou une alimentation 230V/110V. Risque élevé d'électrocution et/ou d'incendie.

## **À NE PAS FAIRE**

- Ne pas ouvrir, démonter ou modifier l'appareil ou ses accessoires.
- Ne réparez aucune partie de l'appareil vous-même. Si l'appareil nécessite une réparation, contactez le service technique Tedee sur <https://tedee.com/>.
- N'immergez pas l'appareil dans un liquide et ne l'exposez pas à une humidité excessive.
- N'utilisez pas l'appareil à proximité d'une source de chaleur (comme un radiateur ou une cheminée), d'une source de froid, d'un feu ouvert ou d'autres conditions extrêmes.
- N'utilisez pas l'appareil dans un environnement excessivement humide, poussiéreux ou pollué. N'utilisez l'appareil qu'à l'intérieur.
- Ne pas insérer d'objets métalliques dans les ouvertures et les interstices de l'appareil, à l'exception des entrées de fils connectées conformément aux instructions.
- Ne manipulez aucune partie de l'appareil ou de ses accessoires avec des

mains mouillées.

- Ne pas exercer de pression sur les câbles pendant le raccordement de l'appareil au-delà de ce qui est spécifié par le fabricant afin d'éviter tout dommage ou déformation.
- N'essayez pas de retirer les fils de force de leurs prises. En cas de problème, contactez l'assistance technique de Tedee.
- Ne retirez pas l'isolation des câbles, sauf aux extrémités des câbles utilisés dans les entrées de l'appareil.
- Dans la mesure du possible, n'installez pas l'appareil à la portée des enfants ou des animaux. Si un animal ou un enfant endommage l'intégrité de l'appareil (par exemple, si le boîtier se brise), cessez d'utiliser l'appareil et contactez le service d'assistance technique de Tedee.
- L'appareil ne doit pas être utilisé par des enfants de moins de 13 ans sans la surveillance d'un adulte.
- Ne partagez pas vos identifiants de connexion à l'application Tedee et n'accordez pas d'accès à distance à vos locaux à des personnes non autorisées. Le fabricant n'est pas responsable des dommages causés par l'accès aux locaux à des personnes non autorisées.

**MISE EN GARDE :** Le contact sec Tedee peut subir une défaillance technique et ne pas être en mesure d'ouvrir votre serrure de porte. Gardez toujours votre smartphone et la clé de la serrure sur vous ou laissez-la dans un endroit accessible afin de pouvoir déverrouiller la porte manuellement en cas d'erreur de l'appareil.

#### **RECOMMANDATIONS**

- Suivez scrupuleusement le manuel d'installation et les consignes de sécurité. En cas de doute, contactez l'assistance technique de Tedee.
- Si des réparations sont nécessaires, veuillez contacter le service technique de Tedee.
- N'utilisez que la tension d'alimentation spécifiée par Tedee. Dans le cas contraire, l'appareil risque d'être endommagé et ne sera plus couvert par la garantie.

#### **AUTRES INFORMATIONS**

- Le non-respect des recommandations figurant dans le présent manuel peut être dangereux ou constituer une infraction à la loi. Le fabricant n'est pas responsable des pertes ou dommages résultant du non-respect de ces instructions.
- Cet appareil peut être utilisé en toute sécurité dans des conditions normales et raisonnablement prévisibles. Si vous remarquez des signes d'erreur ou de dysfonctionnement du matériel, contactez le support technique de Tedee pour obtenir de l'aide. Dans ce cas, l'appareil doit être renvoyé à Tedee pour les réparations nécessaires dans le cadre de la garantie. Tout changement ou modification du matériel ou du logiciel de l'appareil non approuvé, recommandé ou fourni par Tedee peut annuler votre garantie.
- Cet appareil nécessite une source d'alimentation et une connexion Bluetooth(R) pour fonctionner correctement. Afin de coupler l'appareil avec le Bridge Tedee, une connexion Internet est nécessaire pour utiliser certaines fonctions de l'appareil. Le fabricant n'est pas responsable des éventuels problèmes d'accès à la pièce résultant d'un manque d'accès à Internet ou d'une défaillance de la source d'alimentation.
- Cet appareil n'est pas destiné à être utilisé comme élément d'un système de sécurité domestique. Le fabricant ne déclare aucune propriété anti-effraction ni aucune attestation, certificat ou classe de protection anti-effraction pour l'appareil. Le fabricant n'est pas responsable des éventuels dommages/ blessures subis à la suite d'un vol, d'un cambriolage ou d'une intrusion résultant d'un endommagement, d'une neutralisation ou d'une prise de contrôle non autorisée de l'appareil.
- Cet appareil peut nécessiter l'achat de produits supplémentaires pour activer certaines de ses fonctions. En cas de doute, veuillez contacter le service d'assistance de Tedee.
- La connexion de l'appareil à une alimentation électrique qui ne répond pas aux spécifications énoncées dans les normes EN 50081-1, EN 50082-1, UL508 et EN 60950 peut entraîner l'annulation de la garantie.

## MAINTENANCE

- Débranchez l'appareil de l'alimentation électrique avant de le nettoyer. N'utilisez pas de lubrifiants, de produits de nettoyage, d'encaustiques ou de désodorisants sur les pièces de l'appareil. Essuyez-le uniquement avec un chiffon sec.
- N'utilisez jamais de câbles endommagés pour connecter l'appareil.
- N'essayez pas de démonter le câble, vous risqueriez de vous exposer à un choc électrique.

## MENTIONS LEGALES ET ENVIRONNEMENTALES

### DÉCLARATION DE CONFORMITÉ DE L'UE

Tedee Sp. z o.o. déclare par la présente que l'appareil radio Tedee Dry Contact TDCV1.0 est conforme à la directive 2014/53/UE. Le texte intégral de la déclaration de conformité de l'UE est disponible à l'adresse internet suivante : <https://tedee.com/compliance>.

### DEEE / ROHS

Pour éviter tout impact négatif sur l'environnement, consultez les lois et réglementations locales concernant la mise au rebut des appareils électroniques et des piles dans votre pays. Élimination des piles - si votre appareil Tedee contient des piles, ne les jetez pas avec les ordures ménagères. Remettez-les au point de recyclage ou de collecte approprié. Les piles utilisées dans les appareils Tedee ne contiennent pas de mercure, de cadmium ou de plomb à des niveaux supérieurs à ceux spécifiés dans la directive 2006/66/CE. Élimination des produits électroniques - Ne jetez pas votre appareil Tedee avec les ordures ménagères. Remettez-le au point de recyclage ou de collecte approprié.

### BLUETOOTH

La marque et les logos Bluetooth® sont la propriété de Bluetooth SIG, Inc. et toute utilisation de ces marques par Tedee Sp. z o.o. se fait sous licence. Les autres marques et noms commerciaux appartiennent à leurs propriétaires respectifs.

Google, Android et Google Play sont des marques déposées de Google LLC.

Apple et App Store sont des marques commerciales d'Apple Inc. IOS est une marque commerciale ou une marque déposée de Cisco aux États-Unis et dans d'autres pays et est utilisée sous licence.

tedee® est une marque déposée de Tedee Sp. z o.o. Copyright (C) 2022. Tous droits réservés.

## GARANTIE

Garantie matérielle limitée de Tedee - Tedee Sp. z o.o. garantit que les appareils Tedee sont exempts de défauts matériels et de fabrication pendant une période d'au moins deux ans à compter de la date du premier achat au détail. Tedee Sp. z o.o. n'est pas responsable de la mauvaise utilisation des appareils (y compris des méthodes de chargement autres que celles décrites dans ce livret), en particulier si l'utilisateur a apporté des changements ou des modifications au matériel ou au logiciel de l'appareil qui ne sont pas approuvés, recommandés ou fournis par Tedee. Des informations complètes sur la garantie sont disponibles sur le lien suivant : [www.tedee.com/warranty](http://www.tedee.com/warranty)

## ES | INFORMACIÓN DE SEGURIDAD

ADVERTENCIA: Lea todas las directrices y advertencias de seguridad. El incumplimiento de las directrices y advertencias puede provocar descargas eléctricas, incendios y/o lesiones graves. Guarde estas instrucciones para su uso futuro.

Para acceder a la versión más reciente y actualizada de estas instrucciones, visite: <https://tedee.com/>

## ADVERTENCIA

Conecte el aparato sólo de acuerdo con las instrucciones proporcionadas en este manual. Las conexiones incorrectas pueden provocar incendios o descargas eléctricas, dañar el aparato y anular la garantía del producto. En caso de duda,

póngase en contacto con un electricista cualificado o con el fabricante.

### **¡PELIGRO! ¡PELIGRO DE DESCARGA ELÉCTRICA!**

NO toque las salidas de su instalación sin un aislamiento adecuado (por ejemplo, guantes de goma). Aunque el aparato esté apagado, las salidas pueden seguir bajo tensión (transmitiendo electricidad activamente). Todos los trabajos de instalación deben realizarse SIEMPRE con el circuito de alimentación desconectado.

NUNCA enchufe el aparato directamente a una toma de corriente o a una fuente de alimentación de 230V/110V. Alto riesgo de electrocución y/o incendio.

### **NO LO HAGA**

- No abra, modifique ni desmonte su dispositivo ni sus accesorios.
- No repare usted mismo ninguna pieza del aparato. Si necesita reparaciones, póngase en contacto con el servicio técnico de tedee en <https://tedee.com/>.
- No sumerja el aparato en ningún líquido, agua ni lo exponga a la humedad.
- No utilice el aparato cerca de fuentes de calor extremo (como radiadores o chimeneas), fuentes de frío, fuego abierto u otras condiciones extremas.
- No utilice el aparato en un entorno con altos niveles de humedad o polvo, así como de contaminación atmosférica. Utilice el aparato sólo en interiores.
- No introduzca ningún objeto metálico en las aberturas y huecos del aparato, excepto los extremos de los cables conectados según las instrucciones.
- No manipule ninguna parte del aparato ni sus accesorios con las manos mojadas.
- No ejerza presión sobre los cables durante la conexión del aparato más allá de lo especificado por el fabricante para evitar daños o deformaciones.
- No intente sacar a la fuerza los cables de sus tomas. En caso de problemas, ponte en contacto con el servicio técnico de tedee.
- No retire el aislamiento de los cables, excepto en los extremos utilizados en las tomas del aparato.
- Si es posible, no instale el dispositivo al alcance de niños o animales. Si un animal o un niño daña la integridad del aparato (por ejemplo, si se rompe

la carcasa), deja de utilizarlo y ponte en contacto con el servicio técnico de tedee.

- El aparato no debe ser utilizado por niños menores de 13 años sin la supervisión de un adulto.
- No comparta sus credenciales de inicio de sesión de la aplicación Tedee ni conceda acceso remoto a sus instalaciones a personas no autorizadas. El fabricante no será responsable de los daños causados por conceder acceso a las instalaciones a personal no autorizado.

**ADVERTENCIA:** El contacto seco de Tedee puede sufrir un fallo técnico, por lo que es posible que no pueda abrir la cerradura de su puerta. Lleve siempre consigo su smartphone y la llave de la cerradura de la puerta o déjela en un lugar accesible para poder desbloquear la puerta manualmente en caso de que se produzca un error del dispositivo.

### **VISITE**

- Siga al pie de la letra el manual de instalación y las precauciones de seguridad. En caso de duda, ponte en contacto con el servicio técnico de tedee.
- Si necesita reparaciones, póngase en contacto con el servicio técnico de tedee.
- Utilice únicamente la tensión de alimentación especificada por tedee. En caso contrario, el aparato podría sufrir daños no cubiertos por la garantía.

### **INFORMACIÓN ADICIONAL**

- No seguir las recomendaciones incluidas en este manual puede ser peligroso o causar una violación de la ley. El fabricante no se hace responsable de las pérdidas o daños derivados de no seguir estas instrucciones.
- Este dispositivo es seguro de utilizar en condiciones de uso normal y razonablemente previsible. Si observa cualquier signo de error o mal funcionamiento del hardware, póngase en contacto con el servicio técnico de tedee para obtener ayuda. En tal caso, este aparato deberá ser devuelto a tedee para las reparaciones necesarias bajo las condiciones de garantía.

Cualquier cambio o modificación en el hardware o software del dispositivo que no haya sido aprobado, recomendado o proporcionado por tedee puede anular la garantía.

- Este dispositivo necesita una fuente de alimentación y conexión Bluetooth(R) para funcionar correctamente. Para emparejar el dispositivo con tedee bridge es necesaria una conexión a Internet para utilizar algunas de las funciones del dispositivo. El fabricante no se hace responsable de los posibles problemas de acceso a la sala derivados de la falta de acceso a Internet o del fallo o agotamiento de la fuente de alimentación.
- Este dispositivo no está diseñado para utilizarse como parte de un sistema de seguridad doméstico. El fabricante no declara propiedades antirrobo ni certificaciones, certificados o clases de protección antirrobo para el dispositivo. El fabricante no se hace responsable de los posibles daños/ lesiones sufridos a causa de robo, allanamiento o intrusión resultantes de daños, superación o control no autorizado del dispositivo.
- Este dispositivo puede requerir la compra de productos adicionales para habilitar algunas de sus funciones. En caso de duda, ponte en contacto con el servicio de asistencia de tedee.
- Conectar el aparato a una fuente de alimentación que no cumpla las especificaciones de las normas EN 50081-1, EN 50082-1, UL508 y EN 60950 puede anular la garantía.

#### **MANTENIMIENTO**

- Desconecte el producto de la red eléctrica antes de limpiarlo. No utilice lubricantes, productos de limpieza, abrillantadores ni ambientadores en ninguna parte del aparato. Límpielo únicamente con un paño seco.
- No utilice nunca cables dañados para conectar el aparato.
- No intente desmontar el cable, ya que podría sufrir una descarga eléctrica.

#### **NOTAS LEGALES / MEDIOAMBIENTALES**

##### **DECLARACIÓN DE CONFORMIDAD DE LA UE**

Tedee Sp. z o.o. declara por la presente que el dispositivo de radio Tedee Dry

Contact TDCV1.0 es conforme con la Directiva 2014/53/UE. El texto completo de la Declaración de conformidad de la UE está disponible en la siguiente dirección de Internet: <https://tedee.com/compliance>.

#### **WEEE / ROHS**

Para evitar un posible impacto negativo en el medio ambiente, consulte las leyes y normativas locales sobre la correcta eliminación de dispositivos electrónicos y pilas en su país. Eliminación de pilas: si tu dispositivo tedee contiene pilas, no las tires con la basura normal del hogar. Entrégalas en el punto de reciclaje o recogida correspondiente. Las pilas utilizadas en los dispositivos tedee no contienen mercurio, cadmio ni plomo por encima de los niveles especificados en la Directiva 2006/66/CE. Eliminación de aparatos electrónicos - no elimine su aparato tedee con la basura doméstica normal. Entréguelo en el punto de recogida o reciclaje adecuado.

#### **BLUETOOTH**

La marca denominativa Bluetooth® y sus logotipos son propiedad de Bluetooth SIG, Inc. y cualquier uso de dichas marcas por parte de Tedee Sp. z o.o. se realiza bajo licencia. Las demás marcas y nombres comerciales pertenecen a sus respectivos propietarios.

Google, Android y Google Play son marcas comerciales de Google LLC.

Apple y App Store son marcas comerciales de Apple Inc. IOS es una marca comercial o registrada de Cisco en EE.UU. y otros países y se utiliza bajo licencia. tedee® es una marca registrada de Tedee Sp. z o. o. Copyright (C) 2022. Todos los derechos reservados.

#### **GARANTÍA**

Garantía limitada de hardware Tedee - Tedee Sp. z o.o. garantiza que los dispositivos tedee están libres de defectos de hardware en materiales y mano de obra durante un período no inferior a 2 años a partir de la fecha de la primera compra al por menor. Tedee Sp. z o.o. no se responsabiliza del uso indebido de

los dispositivos (incluidos los métodos de carga distintos a los descritos en este folleto), especialmente si el usuario ha realizado cambios o modificaciones en el hardware o software del dispositivo que no hayan sido aprobados, recomendados o proporcionados por tedee. Encontrará información completa sobre la garantía en el siguiente enlace: [www.tedee.com/warranty](http://www.tedee.com/warranty)

## IT | INFORMAZIONI SULLA SICUREZZA

**AVVERTENZA:** leggere tutte le linee guida e le avvertenze sulla sicurezza. La mancata osservanza delle linee guida e delle avvertenze può provocare scosse elettriche, danni e/o lesioni gravi. Conservare queste istruzioni per un uso futuro. Per accedere alla versione più recente e aggiornata di queste istruzioni, visitare il sito: <https://tedee.com/>

### ATTENZIONE

Collegare il dispositivo solo secondo le istruzioni fornite in questo manuale. Collegamenti non corretti possono causare incendi o scosse elettriche, danneggiare il dispositivo e invalidare la garanzia del prodotto. In caso di dubbio, contattare un elettricista qualificato o il produttore.

### PERICOLO! RISCHIO DI SCOSSE ELETTRICHE!

NON toccare le uscite dell'impianto senza un adeguato isolamento (ad es. guanti di gomma). Anche quando il dispositivo è spento, le uscite possono essere sotto tensione (trasmettono attivamente elettricità). Tutti i lavori di installazione devono essere SEMPRE eseguiti con il circuito di alimentazione scollegato.

Non collegare MAI il dispositivo direttamente a una presa di corrente o a un alimentatore da 230V/110V. Alto rischio di folgorazione e/o incendio.

### NON

- Non aprire, modificare o smontare il dispositivo o i suoi accessori.

- Non effettuare il self-service di nessuna parte del dispositivo. In caso di riparazione, contattare l'assistenza tecnica di tedee all'indirizzo <https://tedee.com/>.
- Non immergere il dispositivo in liquidi, acqua o esporlo all'umidità.
- Non utilizzare il dispositivo in prossimità di fonti di calore estreme (come termosifoni o camini), fonti di freddo, fuoco aperto o altre condizioni estreme.
- Non utilizzare il dispositivo in ambienti con elevati livelli di umidità o polvere, nonché con un elevato inquinamento atmosferico. Utilizzare il dispositivo solo in ambienti chiusi.
- Non inserire oggetti metallici nelle aperture e nelle fessure del dispositivo, ad eccezione delle estremità dei cavi collegate secondo le istruzioni.
- Non maneggiare alcuna parte del dispositivo o dei suoi accessori con le mani bagnate.
- Durante il collegamento del dispositivo, non applicare ai cavi una pressione superiore a quella specificata dal produttore per evitare danni o deformazioni.
- Non tentare di rimuovere con forza i cavi dalle loro prese. In caso di problemi, contattare l'assistenza tedee.
- Non rimuovere l'isolamento dai cavi, tranne che alle estremità dei cavi utilizzati nelle prese del dispositivo.
- Se possibile, non installare il dispositivo alla portata di bambini o animali. Se un animale o un bambino danneggia l'integrità del dispositivo (ad esempio, la rottura dell'involucro), interrompere l'uso del dispositivo e contattare l'assistenza tecnica di tedee.
- Il dispositivo non deve essere utilizzato da bambini di età inferiore ai 13 anni senza la supervisione di un adulto.
- Non condividere le credenziali di accesso all'applicazione Tedee né concedere l'accesso remoto ai locali a persone non autorizzate. Il produttore non è responsabile dei danni causati dalla concessione dell'accesso ai locali a personale non autorizzato.

**AVVERTENZA:** il contatto secco Tedee può subire un guasto tecnico e quindi potrebbe non essere in grado di aprire la serratura della porta. Portare sempre con sé lo smartphone e la chiave della serratura della porta o lasciarla in un luogo



accessibile, in modo da poter sbloccare manualmente la porta in caso di errore del dispositivo.

#### **FARE**

- Seguire attentamente il manuale di installazione e le precauzioni di sicurezza. In caso di dubbi, contattare l'assistenza tecnica tedee.
- Se è necessaria una riparazione, contattare l'assistenza tecnica di tedee.
- Utilizzare esclusivamente la tensione di alimentazione specificata da tedee. In caso contrario, il dispositivo potrebbe subire danni non coperti da garanzia.

#### **ALTRE INFORMAZIONI**

- La mancata osservanza delle raccomandazioni contenute nel presente manuale può essere pericolosa o causare una violazione della legge. Il produttore non è responsabile di eventuali perdite o danni derivanti dalla mancata osservanza di queste istruzioni.
- Questo dispositivo è sicuro da usare in condizioni normali e ragionevolmente prevedibili di uso improprio del codice di condotta operativo. Se si notano segni di errori o di malfunzionamento dell'hardware, contattare l'assistenza tecnica di tedee. In tal caso, il dispositivo deve essere restituito a tedee per le necessarie riparazioni in base alle condizioni di garanzia. Eventuali cambiamenti o modifiche all'hardware o al software del dispositivo non approvati, consigliati o forniti da tedee possono invalidare la garanzia.
- Questo dispositivo richiede una fonte di alimentazione e una connessione Bluetooth(R) per funzionare correttamente. Per associare il dispositivo a tedee bridge è necessaria una connessione a Internet per utilizzare alcune funzioni del dispositivo. Il produttore non è responsabile di eventuali problemi di accesso alla stanza dovuti alla mancanza di accesso a Internet o al guasto o all'esaurimento della fonte di alimentazione.
- Questo dispositivo non è destinato a essere utilizzato come parte di un sistema di sicurezza domestica. Il produttore non dichiara alcuna proprietà antieffrazione o attestati, certificati o classi di protezione antieffrazione per il dispositivo. Il produttore non è responsabile di eventuali danni/lesioni subiti a causa di furti, scassi o intrusioni derivanti da danneggiamento, superamento o

acquisizione del controllo del dispositivo da parte di persone non autorizzate.

- Questo dispositivo potrebbe richiedere l'acquisto di prodotti aggiuntivi per abilitare alcune delle sue funzioni. In caso di dubbi, contattare l'assistenza tedee.
- Il collegamento del dispositivo a un alimentatore non conforme alle specifiche indicate nelle norme EN 50081-1, EN 50082-1, UL508 e EN 60950 può invalidare la garanzia.

#### **MANUTENZIONE**

- Prima di procedere alla pulizia, scollegare il prodotto dall'alimentazione. Non utilizzare lubrificanti, detergenti, lucidanti o deodoranti per ambienti su nessuna parte del dispositivo. Pulire solo con un panno asciutto.
- Non utilizzare mai cavi danneggiati per il collegamento del dispositivo.
- Non tentare di smontare il cavo per non incorrere in scosse elettriche.

#### **NOTE LEGALI/AMBIENTALI**

##### **DICHIARAZIONE DI CONFORMITÀ UE**

Con la presente Tedee Sp. z o.o. dichiara che il dispositivo radio Tedee Dry Contact TDCV1.0 è conforme alla Direttiva 2014/53/UE. Il testo completo della Dichiarazione di conformità UE è disponibile al seguente indirizzo Internet: <https://tedee.com/compliance>.

##### **WEEE / ROHS**

Per evitare un potenziale impatto negativo sull'ambiente, consultare le leggi e le normative locali per il corretto smaltimento dei dispositivi elettronici e delle batterie nel proprio Paese. Smaltimento delle batterie - Se il dispositivo tedee contiene batterie, non smaltirle con i normali rifiuti domestici. Consegnatele al punto di riciclaggio o di raccolta appropriato. Le batterie utilizzate nei dispositivi tedee non contengono mercurio, cadmio o piombo oltre i livelli specificati nella direttiva 2006/66/CE. Smaltimento dei dispositivi elettronici - non smaltire il dispositivo tedee con i normali rifiuti domestici. Consegnatelo al punto di riciclaggio o di raccolta appropriato.

## **BLUETOOTH**

Il marchio e i loghi Bluetooth® sono di proprietà di Bluetooth SIG, Inc. e l'uso di tali marchi da parte di Tedee Sp. z o.o. è concesso in licenza. Altri marchi e nomi commerciali appartengono ai rispettivi proprietari.

Google, Android e Google Play sono marchi di fabbrica di Google LLC.

Apple e App Store sono marchi di Apple Inc. IOS è un marchio o un marchio registrato di Cisco negli Stati Uniti e in altri paesi e viene utilizzato su licenza. tedee® è un marchio registrato di Tedee Sp. z o. o. Copyright (C) 2022. Tutti i diritti riservati.

## **GARANZIA**

Garanzia limitata sull'hardware - Tedee Sp. z o.o. garantisce che i dispositivi Tedee sono privi di difetti di materiale e lavorazione per un periodo non inferiore a 2 anni dalla data del primo acquisto al dettaglio. Tedee Sp. z o.o. non si assume alcuna responsabilità per l'uso improprio dei dispositivi (compresi i metodi di ricarica diversi da quelli descritti nel presente opuscolo), in particolare se l'utente ha apportato cambiamenti o modifiche all'hardware o al software del dispositivo non approvati, raccomandati o forniti da tedee. Le informazioni complete sulla garanzia sono disponibili al seguente link: [www.tedee.com/warranty](http://www.tedee.com/warranty)

## **PT | INFORMAÇÕES DE SEGURANÇA**

**AVISO:** Leia todas as directrizes e avisos de segurança. O não cumprimento das directrizes e dos avisos pode resultar em choque eléctrico, incêndio e/ou ferimentos graves. Guarde estas instruções para utilização futura.

Para aceder à versão mais recente e actualizada destas instruções, visite: <https://tedee.com/>

**AVISO**

Ligar o aparelho apenas de acordo com as instruções fornecidas neste manual. As ligações incorrectas podem provocar incêndios ou choques eléctricos, danificar o

aparelho e anular a garantia do produto. Em caso de dúvida, contacte um electricista qualificado para obter assistência ou o fabricante.

## **PERIGO! RISCO DE CHOQUE ELÉTRICO!**

NÃO toque nas saídas da sua instalação sem um isolamento adequado (ou seja, luvas de borracha). Mesmo quando o dispositivo está desligado, as saídas podem ainda estar sob tensão (transmitindo electricidade ativamente). Todos os trabalhos de instalação devem ser SEMPRE efectuados com o circuito de alimentação desligado.

NUNCA ligar o aparelho directamente a uma tomada eléctrica ou a uma fonte de alimentação de 230V/110V. Risco elevado de electrocussão e/ou incêndio.

## **NÃO FAZER**

- Não abra, modifique ou desmonte o seu dispositivo ou os respectivos acessórios.
- Não efetuar a auto-assistência em nenhuma parte do aparelho. Se for necessário efetuar reparações, contacte a assistência técnica da Tedee através do endereço <https://tedee.com/>
- Não mergulhe o aparelho em qualquer líquido, água ou o exponha à humidade.
- Não utilize o aparelho perto de fontes de calor extremas (como radiadores ou chaminés), fontes de frio, fogo aberto ou outras condições extremas.
- Não utilize o aparelho num ambiente com elevados níveis de humidade ou de poeira, bem como com elevada poluição atmosférica. Utilize o aparelho apenas em espaços interiores.
- Não introduzir quaisquer objectos metálicos nas aberturas e fendas do aparelho, exceto nas extremidades dos cabos ligados de acordo com as instruções.
- Não manusear qualquer parte do aparelho ou dos seus acessórios com as mãos molhadas.
- Durante a ligação do aparelho, não exercer pressão sobre os cabos para além

da especificada pelo fabricante, para evitar danos ou deformações.

- Não tente retirar os cabos das respectivas tomadas à força. Em caso de problemas, contactar a assistência técnica da Tedee.
- Não remover o isolamento dos cabos, exceto nas extremidades dos cabos utilizados nas tomadas do aparelho.
- Se possível, não instale o aparelho ao alcance de crianças ou animais. Se um animal ou uma criança danificar a integridade do aparelho (por exemplo, se a caixa se partir), pare de utilizar o aparelho e contacte a assistência técnica da Tedee.
- O aparelho não deve ser utilizado por crianças com menos de 13 anos sem a supervisão de um adulto.
- Não partilhe as suas credenciais de início de sessão da aplicação Tedee nem conceda acesso remoto às suas instalações a pessoas não autorizadas. O fabricante não se responsabiliza por danos causados pela concessão de acesso às instalações a pessoas não autorizadas.

**AVISO:** Tedee Dry Contact pode sofrer uma falha técnica, pelo que pode não conseguir abrir a fechadura da porta. Leve sempre consigo o seu smartphone e a chave da fechadura da porta ou deixe-a num local acessível para que a porta possa ser desbloqueada manualmente em caso de erro do dispositivo.

#### **FAZER**

- Siga rigorosamente o manual de instalação e as precauções de segurança. Em caso de dúvida, contactar a assistência técnica da Tedee.
- Se forem necessárias reparações, contactar a assistência técnica da Tedee.
- Utilizar apenas a tensão de alimentação especificada pela Tedee. Caso contrário, podem ocorrer danos no dispositivo, não cobertos pela garantia.

#### **OUTRAS INFORMAÇÕES**

- O não cumprimento das recomendações incluídas neste manual pode ser perigoso ou causar uma violação da lei. O fabricante não é responsável por quaisquer perdas ou danos resultantes do incumprimento destas instruções.
- Este dispositivo é seguro para utilização em condições normais e

razoavelmente previsíveis de utilização incorrecta. Se detetar quaisquer sinais de erros ou de mau funcionamento do hardware, contacte o apoio técnico da Tedee para obter ajuda. Nesse caso, o aparelho deve ser devolvido à Tedee para as reparações necessárias ao abrigo das condições de garantia. Quaisquer alterações ou modificações ao hardware ou software do dispositivo que não sejam aprovadas, recomendadas ou fornecidas pela Tedee podem anular a garantia.

- Este dispositivo necessita de uma fonte de alimentação e de uma ligação Bluetooth(R) para funcionar corretamente. Para emparelhar o dispositivo com a ponte Tedee Bridge, é necessária uma ligação à Internet para utilizar algumas das funcionalidades do dispositivo. O fabricante não é responsável por potenciais problemas de acesso à sala resultantes da falta de acesso à Internet ou de falha ou esgotamento da fonte de alimentação.
- Este aparelho não se destina a ser utilizado como parte de um sistema de segurança doméstica. O fabricante não declara quaisquer propriedades antirroubo ou atestados, certificados ou classes de proteção antirroubo para o dispositivo. O fabricante não se responsabiliza por quaisquer danos/lesões potenciais sofridos devido a furto, roubo ou intrusão resultantes de danos, ultrapassagem ou controlo não autorizado do dispositivo.
- Este dispositivo pode exigir a compra de produtos adicionais para ativar algumas das suas funcionalidades. Em caso de dúvida, contacte a assistência da Tedee.
- A ligação do dispositivo a uma fonte de alimentação que não cumpra as especificações descritas nas normas EN 50081-1, EN 50082-1, UL508 e EN 60950 pode anular a garantia.

#### **MANUTENÇÃO**

- Desligue o produto da fonte de alimentação antes de o limpar. Não utilize lubrificantes, agentes de limpeza, polidores ou ambientadores em nenhuma parte do aparelho. Limpe-o apenas com um pano seco.
- Nunca utilize cabos danificados para ligar o dispositivo.
- Não tente desmontar o cabo, pois pode expor-se a choques eléctricos.

## NOTAS JURÍDICAS / AMBIENTAIS

### DECLARAÇÃO DE CONFORMIDADE UE

A Tedee Sp. z o.o. declara que o dispositivo de rádio Tedee Dry Contact TDCV1.0 está em conformidade com a Diretiva 2014/53/UE. O texto completo da Declaração de Conformidade da UE está disponível no seguinte endereço de Internet: <https://tedee.com/compliance>.

### WEEE / ROHS

Para evitar um potencial impacto negativo no ambiente, consulte a legislação e os regulamentos locais sobre a eliminação adequada de dispositivos electrónicos e pilhas no seu país. Eliminação das pilhas - se o seu aparelho Tedee contiver pilhas, não as elimine juntamente com o lixo doméstico normal. Entregue-as no ponto de reciclagem ou de recolha adequado. As pilhas utilizadas nos dispositivos Tedee não contêm mercúrio, cádmio ou chumbo acima dos níveis especificados na Diretiva 2006/66/CE. Eliminação de aparelhos electrónicos - não elimine o seu aparelho Tedee juntamente com o lixo doméstico normal. Entregue-o no ponto de reciclagem ou de recolha adequado.

### BLUETOOTH

A marca nominativa e os logótipos Bluetooth® são propriedade da Bluetooth SIG, Inc. e qualquer utilização dessas marcas pela Tedee Sp. z o.o. é feita sob licença. Outras marcas registadas e nomes comerciais pertencem aos respectivos proprietários.

Google, Android e Google Play são marcas comerciais da Google LLC.

Apple e App Store são marcas comerciais da Apple Inc. IOS é uma marca comercial ou uma marca registada da Cisco nos EUA e noutros países e é utilizada sob licença. Tedee® é uma marca registada da Tedee Sp. z o. o. Copyright (C) 2022. Todos os direitos reservados.

## GARANTIA

Garantia limitada de hardware da Tedee - A Tedee Sp. z o.o. garante que os dispositivos Tedee estão isentos de defeitos de hardware, materiais e de fabrico durante um período não inferior a 2 anos a partir da data da primeira compra a retalho. A Tedee Sp. z o.o. não se responsabiliza pela utilização indevida dos aparelhos (incluindo métodos de carregamento diferentes dos descritos neste manual), especialmente se o utilizador tiver efectuado alterações ou modificações ao hardware ou software do aparelho que não tenham sido aprovadas, recomendadas ou fornecidas pela Tedee. Estão disponíveis informações completas sobre a garantia na seguinte hiperligação: [www.tedee.com/warranty](http://www.tedee.com/warranty)

## DA | SIKKERHEDSINFORMATION

ADVARSEL: Læs alle sikkerhedsanvisninger og advarsler. Hvis du ikke følger retningslinjerne og advarslerne, kan det resultere i elektrisk stød, brand og/eller alvorlig personskaade. Opbevar disse instruktioner til fremtidig brug.

For at få adgang til den seneste, mest opdaterede version af disse instruktioner, besøg: <https://tedee.com/>

## ADVARSEL

Tilslut kun enheden i henhold til instruktionerne i denne vejledning. Forkerte tilslutninger kan forårsage brand eller elektrisk stød, beskadige enheden og gøre produktgarantien ugyldig. Hvis du er i tvivl, skal du kontakte en kvalificeret elektriker eller producenten for at få hjælp.

## FARE! RISIKO FOR ELEKTRISK STØD!

Rør IKKE ved udgangene på din installation uden ordentlig isolering (f.eks. gummihandsker). Selv når enheden er slukket, kan udgangene stadig være strømførende (aktivt transmitterende elektricitet). Alt installationsarbejde skal ALTID udføres med strømkredsen frakoblet.

Sæt ALDRIG enheden direkte i en stikkontakt eller 230V/110V strømforsyning. Stor risiko for elektrisk stød og/eller brand.

#### LAD VÆRE MED AT

- Du må ikke åbne, ændre eller adskille din enhed eller dens tilbehør.
- Du må ikke selv betjene nogen del af enheden. Hvis der er behov for reparationer, bedes du kontakte tedee teknisk support på <https://tedee.com/>
- Nedsænk ikke enheden i væske eller vand, og udsæt den ikke for fugt.
- Brug ikke enheden i nærheden af ekstreme varmekilder (f.eks. radiatorer eller skorstene), kolde kilder, åben ild eller andre ekstreme forhold.
- Brug ikke enheden i omgivelser med høj luftfugtighed eller støv samt høj luftforurening. Brug kun enheden indendørs.
- Indsæt ikke metalgenstande i enhedens åbninger og mellemrum, bortset fra kabelender, der er tilsluttet i henhold til instruktionerne.
- Håndter ikke nogen del af enheden eller dens tilbehør med våde hænder.
- Tryk ikke på kablerne under tilslutningen af enheden ud over det, der er angivet af producenten, for at undgå skader eller deformation.
- Forsøg ikke at fjerne kabler fra deres stik med magt. Kontakt tedee support i tilfælde af problemer.
- Fjern ikke isoleringen fra kablerne undtagen ved de kabelender, der bruges i enhedens stikkontakter.
- Installer så vidt muligt ikke enheden inden for børns eller dyrs rækkevidde. Hvis et dyr eller et barn beskadiger enheden (f.eks. hvis huset går i stykker), skal du stoppe med at bruge enheden og kontakte tedee teknisk support.
- Enheden bør ikke bruges af børn under 13 år uden opsyn af en voksen.
- Du må ikke dele dine loginoplysninger til Tedee-applikationen eller give uautoriserede personer fjernadgang til dine lokaler. Producenten er ikke ansvarlig for skader forårsaget af, at uautoriseret personale får adgang til lokalerne.

**ADVARSEL:** Tedee Dry Contact kan blive ramt af en teknisk fejl, så den måske ikke kan åbne din dørlås. Hav altid din smartphone og nøglen til dørlåsen med dig, eller efterlad den på et tilgængeligt sted, så døren kan låses op manuelt i tilfælde af en

sådan fejl på enheden.

#### GØR

- Følg installationsvejledningen og sikkerhedsforanstaltningerne nøje. Kontakt tedee teknisk support, hvis du er i tvivl.
- Hvis der er behov for reparationer, bedes du kontakte tedee teknisk support.
- Brug kun den strømforsyningsspænding, der er angivet af tedee. I modsat fald kan der opstå skader på enheden, som ikke er dækket af garantien.

#### ANDRE OPLYSNINGER

- Hvis anbefalingerne i denne vejledning ikke følges, kan det være farligt eller medføre lovovertrædelser. Producenten er ikke ansvarlig for tab eller skader som følge af, at disse instruktioner ikke følges.
- Denne enhed er sikker at bruge under normal og rimeligt forudsigelig misbrug af driftskodeks. Hvis du bemærker tegn på fejl eller hardwarefej, skal du kontakte tedees tekniske support for at få hjælp. I så fald skal denne enhed returneres til tedee til nødvendige reparationer i henhold til garantibetingelserne. Enhver ændring eller modifikation af enhedens hardware eller software, som ikke er godkendt, anbefalet eller leveret af tedee, kan medføre, at garantien bortfalder.
- Denne enhed kræver strømkilde og Bluetooth(R)-forbindelse for at fungere korrekt. For at parre enheden med tedee bridge kræves en internetforbindelse for at bruge nogle af enhedens funktioner. Producenten er ikke ansvarlig for potentielle problemer med rumadgang som følge af manglende internetadgang eller svigt eller udtømmning af strømkilden.
- Denne enhed er ikke beregnet til brug som en del af et sikkerhedssystem til hjemmet. Producenten erklærer ikke nogen indbrudshæmmende egenskaber eller attester, certifikater eller klasser af indbrudshæmmende beskyttelse for enheden. Producenten er ikke ansvarlig for eventuelle skader på grund af tyveri, indbrud eller indtrængen som følge af beskadigelse, overvindelse eller uautoriseret kontrol over enheden.
- Denne enhed kan kræve køb af yderligere produkter for at aktivere nogle af dens funktioner. Hvis du er i tvivl, bedes du kontakte tedee support.

- Tilslutning af enheden til en strømforsyning, der ikke opfylder specifikationerne i EN 50081-1, EN 50082-1, UL508 og EN 60950, kan medføre, at garantien bortfalder.

#### **VEDLIGEHOELSE**

- Afbryd produktet fra strømforsyningen før rengøring. Brug ikke smøremidler, rengøringsmidler, polermidler eller luftfriskere på nogen del af enheden. Tør den kun af med en tør klud.
- Brug aldrig beskadigede kabler, når du tilslutter enheden.
- Forsøg ikke at skille kablet ad, da det kan udsætte dig for elektrisk stød.

#### **JURIDISKE / MILJØMÆSSIGE BEMÆRKNINGER**

##### **EU-OVERENSSTEMMELSESERKLÆRING**

Tedee Sp. z o.o. erklærer hermed, at Tedee Dry Contact TDCV1.0-radioenheden er i overensstemmelse med direktiv 2014/53/EU. Den fulde tekst af EU-overensstemmelseserklæringen er tilgængelig på følgende internetadresse: <https://tedee.com/compliance>.

##### **WEEE / ROHS**

For at forhindre potentiel negativ indvirkning på miljøet skal du konsultere dine lokale love og regler for korrekt bortskaffelse af elektroniske enheder og batterier i dit land. Bortskaffelse af batterier - hvis din tedee-enhed indeholder batterier, må du ikke bortskaffe dem sammen med almindeligt husholdningsaffald. Aflever dem til det relevante genbrugs- eller indsamlingssted. Batterier, der bruges i tedee-enheder, indeholder ikke kviksølv, cadmium eller bly over de niveauer, der er angivet i direktiv 2006/66/EF. Bortskaffelse af elektronik - bortskaf ikke din tedee-enhed sammen med almindeligt husholdningsaffald. Aflever den til det relevante genbrugs- eller indsamlingssted.

##### **BLUETOOTH®.**

Bluetooth®-ordmærket og logoerne ejes af Bluetooth SIG, Inc. og enhver brug af sådanne mærker af Tedee Sp. z o.o. er under licens. Andre varemærker og

handelsnavne tilhører deres respektive ejere.

Google, Android og Google Play er varemærker tilhørende Google LLC.

Apple og App Store er varemærker tilhørende Apple Inc. IOS er et varemærke eller registreret varemærke tilhørende Cisco i USA og andre lande og anvendes under licens.

tedee® er et registreret varemærke tilhørende Tedee Sp. z o. o. Copyright (C) 2022. Alle rettigheder forbeholdes.

#### **GARANTI**

Tedee begrænset hardwaregaranti - Tedee Sp. z o.o. garanterer, at tedee-enheder er fri for hardwarefejl i materialer og udførelse i en periode på ikke mindre end 2 år fra datoen for det første detailkøb. Tedee Sp. z o.o. påtager sig ikke ansvaret for misbrug af enheder (herunder andre opladningsmetoder end dem, der er beskrevet i dette hæfte), især hvis brugeren har foretaget ændringer eller modifikationer af enhedens hardware eller software, som ikke er godkendt, anbefalet eller leveret af tedee. Fuldstændige garantioplysninger findes på følgende link: [www.tedee.com/warranty](http://www.tedee.com/warranty)

#### **NL | VEILIGHEIDSGEGENSTANDEN**

WAARSCHUWING: Lees alle veiligheidsrichtlijnen en waarschuwingen. Het niet opvolgen van de richtlijnen en waarschuwingen kan leiden tot elektrische schokken, brand en/of ernstig letsel. Bewaar deze instructies voor toekomstig gebruik. Om toegang te krijgen tot de laatste, meest up-to-date versie van deze instructies ga naar: <https://tedee.com/>

#### **WAARSCHUWING**

Sluit het apparaat alleen aan volgens de instructies in deze handleiding. Verkeerde aansluitingen kunnen brand of elektrische schokken veroorzaken, het apparaat beschadigen en de garantie op het product ongeldig maken. Neem bij twijfel

contact op met een gekwalificeerde elektricien of de fabrikant.

### **GEVAAR! GEVAAR VOOR ELEKTRISCHE SCHOKKEN!**

Raak de uitgangen van je installatie NIET aan zonder de juiste isolatie (d.w.z. rubberen handschoenen). Zelfs als het apparaat is uitgeschakeld, kunnen de uitgangen nog onder spanning staan (actief elektriciteit uitzenden). Alle installatiewerkzaamheden moeten ALTIJD worden uitgevoerd met het stroomcircuit losgekoppeld.

Sluit het apparaat NOOIT rechtstreeks aan op een stopcontact of 230V/110V-voeding. Hoog risico op elektrocutie en/of brand.

### **NIET DOEN**

- Open, wijzig of demonteer het apparaat of de accessoires niet.
- Onderdeel van het apparaat mag je niet zelf repareren. Als reparaties nodig zijn, neem dan contact op met de technische ondersteuning van tedee op <https://tedee.com/>
- Dompel het apparaat niet onder in vloeistof of water en stel het niet bloot aan vocht.
- Gebruik het apparaat niet in de buurt van een extreme warmtebron (zoals radiator of schoorsteen), koudebron, open vuur of andere extreme omstandigheden.
- Gebruik het apparaat niet in een omgeving met een hoge vochtigheidsgraad, een hoog stofgehalte of sterke luchtvervuiling. Gebruik het apparaat alleen binnenshuis.
- Steek geen metalen voorwerpen in openingen en spleten van het apparaat, behalve kabeluiteinden die volgens de instructies zijn aangesloten.
- Hanteer geen enkel deel van het apparaat of de accessoires met natte handen.
- Oefen tijdens het aansluiten van het apparaat geen grotere druk uit op de kabels dan aangegeven door de fabrikant om schade of vervorming te voorkomen.

- Probeer kabels niet met geweld uit hun aansluitingen te verwijderen. Neem in geval van problemen contact op met tedee support.
- Verwijder de isolatie van de kabels niet, behalve aan de kabeluiteinden die in de aansluitingen van het apparaat worden gebruikt.
- Installeer het apparaat indien mogelijk niet binnen het bereik van kinderen of dieren. Als een dier of kind de integriteit van het apparaat beschadigt (de behuizing breekt bijvoorbeeld), stop dan met het gebruik van het apparaat en neem contact op met de technische ondersteuning van tedee.
- Het apparaat mag niet worden gebruikt door kinderen jonger dan 13 jaar zonder toezicht van een volwassene.
- Deel de inloggegevens voor jouw Tedee-toepassing niet met anderen en verleen onbevoegden geen toegang op afstand tot jouw terrein. De fabrikant is niet aansprakelijk voor schade veroorzaakt door het verlenen van toegang tot het pand aan onbevoegd personeel.

**WAARSCHUWING:** Tedee droog contact kan last hebben van technische storingen, dus het is mogelijk dat het niet in staat is om je deurslot te openen. Draag jouw smartphone en de sleutel van het deurslot altijd bij je of laat deze achter op een toegankelijke plaats, zodat de deur handmatig kan worden ontgrendeld in het geval van een dergelijke apparaatfout.

### **DOE**

- Volg de installatiehandleiding en veiligheidsvoorschriften nauwgezet op. Neem bij twijfel contact op met de technische ondersteuning van tedee.
- Neem contact op met de technische ondersteuning van tedee als er reparaties nodig zijn.
- Gebruik alleen de door tedee gespecificeerde voedingsspanning. Als je dit niet doet, kan het apparaat beschadigd raken, wat niet onder de garantie valt.

### **ANDERE INFORMATIE**

- Het niet opvolgen van de aanbevelingen in deze handleiding kan gevaarlijk zijn of een overtreding van de wet veroorzaken. De fabrikant is niet verantwoordelijk voor verlies of schade als gevolg van het niet opvolgen van

deze instructies.

- Dit apparaat is veilig te gebruiken bij normaal en redelijkerwijs te verwachten verkeerd gebruik van de bedieningscode. Als je fouten of hardwarestoringen opmerkt, neem dan contact op met de technische ondersteuning van tedee voor hulp. In een dergelijk geval moet dit apparaat worden geretourneerd naar tedee voor noodzakelijke reparaties onder de garantievoorwaarden. Alle wijzigingen of aanpassingen aan de hardware of software van het apparaat die niet zijn goedgekeurd, aanbevolen of geleverd door tedee, kunnen jouw garantie ongeldig maken.
- Dit apparaat vereist een stroombron en Bluetooth(R) verbinding voor een goede werking. Om het apparaat te kunnen koppelen met tedee bridge is een internetverbinding nodig om sommige functies van het apparaat te kunnen gebruiken. De fabrikant is niet verantwoordelijk voor mogelijke problemen met de toegang tot de kamer als gevolg van een gebrek aan internettoegang of een storing of uitputting van de voedingsbron.
- Dit apparaat is niet bedoeld voor gebruik als onderdeel van een huisbeveiligingssysteem. De fabrikant verklaart geen anti-inbraak eigenschappen of attesten, certificaten of klassen van anti-inbraak bescherming voor het apparaat. De fabrikant is niet aansprakelijk voor mogelijke schade/letsel als gevolg van diefstal, inbraak of binnendringing door beschadiging, overwinnen of onbevoegd verkrijgen van controle over het apparaat.
- Voor dit apparaat moeten mogelijk extra producten worden aangeschaft om sommige functies te kunnen gebruiken. Neem bij twijfel contact op met tedee support.
- Als het apparaat wordt aangesloten op een voeding die niet voldoet aan de specificaties van EN 50081-1, EN 50082-1, UL508 en EN 60950, kan de garantie komen te vervallen.

#### **ONDERHOUD**

- Haal de stekker uit het stopcontact voordat je het product schoonmaakt. Gebruik geen smeermiddelen, schoonmaakmiddelen, poetsmiddelen of luchtverfrissers op onderdelen van het apparaat. Veeg het alleen af met

een droge doek.

- Gebruik nooit beschadigde kabels om het apparaat aan te sluiten.
- Probeer de kabel niet te demonteren, want dan kun je een elektrische schok krijgen.

#### **JURIDISCHE EN MILIEU-OVERWEGINGEN**

##### **EU-CONFORMITEITSVERKLARING**

Tedee Sp. z o.o. verklaart hierbij dat het Tedee Dry Contact TDCV1.0 radioapparaat in overeenstemming is met Richtlijn 2014/53/EU. De volledige tekst van de EU-verklaring van overeenstemming is beschikbaar op het volgende internetadres: <https://tedee.com/compliance>.

##### **WEEE/ROHS**

Voor het voorkomen van mogelijke negatieve milieueffecten, dient je jouw lokale wet- en regelgeving te raadplegen voor de juiste verwijdering van elektronische apparaten en batterijen in je land. Verwijdering van batterijen - als jouw tedee apparaat batterijen bevat, gooi ze dan niet weg met het gewone huisvuil. Lever ze in bij het juiste recycling- of inzamelpunt. Batterijen die in tedee-apparaten worden gebruikt, bevatten geen kwik, cadmium of lood boven de niveaus die zijn gespecificeerd in de richtlijn 2006/66/EC. Verwijdering van elektronica - gooi jouw tedee-apparaat niet bij het normale huishoudelijke afval. Lever het in bij het juiste recycling- of inzamelpunt.

##### **BLUETOOTH®**

Het Bluetooth®-woordmerk en de Bluetooth®-logo's zijn eigendom van Bluetooth SIG, Inc. en elk gebruik van deze merken door Tedee Sp. z o.o. gebeurt onder licentie. Andere handelsmerken en handelsnamen zijn eigendom van hun respectievelijke eigenaren.

Google, Android en Google Play zijn handelsmerken van Google LLC.

Apple en App Store zijn handelsmerken van Apple Inc. IOS is een handelsmerk of



gedeponeerd handelsmerk van Cisco in de VS en andere landen en wordt onder licentie gebruikt.  
tedee® is een geregistreerd handelsmerk van Tedee Sp. z o. o. Copyright (C) 2022.  
Alle rechten voorbehouden.

## **GARANTIE**

Tedee beperkte hardwaregarantie - Tedee Sp. z o.o. garandeert dat tedee apparaten vrij zijn van hardwaredefecten in materiaal en vakmanschap voor de periode van niet minder dan 2 jaar vanaf de datum van de eerste detailaankoop. Tedee Sp. z o.o. aanvaardt geen verantwoordelijkheid voor verkeerd gebruik van apparaten (inclusief andere oplaadmethoden dan beschreven in deze handleiding), met name als de gebruiker wijzigingen of aanpassingen aan de hardware of software van het apparaat heeft aangebracht die niet zijn goedgekeurd, aanbevolen of geleverd door tedee. Volledige garantie-informatie is beschikbaar op de volgende link: [www.tedee.com/warranty](http://www.tedee.com/warranty)

## **SV | SÄKERHETSINFORMATION**

**WARNING:** Läs alla säkerhetsanvisningar och varningar. Underlåtenhet att följa anvisningarna och varningarna kan leda till elektriska stötar, brand och/eller allvarliga personskador. Förvara dessa instruktioner för framtida bruk. För att få tillgång till den senaste och mest uppdaterade versionen av dessa instruktioner, besök: <https://tedee.com/>

## **WARNING**

Anslut endast apparaten enligt anvisningarna i den här bruksanvisningen. Felaktiga anslutningar kan orsaka brand eller elektriska stötar, skada enheten och göra produktgarantin ogiltig. Om du är osäker ska du kontakta en behörig elektriker eller tillverkaren.

## **FARA! RISK FÖR ELEKTRISK STÖT!**

Rör INTE vid utgångarna på din installation utan ordentlig isolering (t.ex. gummihandskar). Även om enheten är avstängd kan utgångarna fortfarande vara spänningsförande (aktivt överföra elektricitet). Allt installationsarbete ska ALLTID utföras med strömkretsen bortkopplad.

Anslut ALDRIG enheten direkt till ett eluttag eller en 230V/110V-strömkälla. Stor risk för elstötar och/eller brand.

## **GÖR INTE**

- Öppna inte, modifiera eller demontera inte din enhet eller dess tillbehör.
- Utför inte självservice på någon del av enheten. Om reparation krävs, kontakta tedees tekniska support på <https://tedee.com/>
- Sänk inte ned enheten i vätska eller vatten och utsätt den inte för fukt.
- Använd inte enheten i närheten av extrema värmekällor (t.ex. element eller skorsten), kalla källor, öppen eld eller andra extrema förhållanden.
- Använd inte enheten i en miljö med hög luftfuktighet, höga dammhalter eller höga luftföroreningar. Använd endast enheten inomhus.
- För inte in några metallföremål i apparatens öppningar och luckor, med undantag för kabeländar som är anslutna enligt anvisningarna.
- Hantera inte någon del av apparaten eller dess tillbehör med våta händer.
- Tryck inte på kablarna under anslutningen av enheten utöver vad som anges av tillverkaren för att förhindra skador eller deformation.
- Försök inte att med våld dra ut kablarna ur sina uttag. Vid problem, kontakta tedee support.
- Avlägsna inte isoleringen från kablarna utom vid de kabeländar som används i enhetens uttag.
- Installera om möjligt inte enheten inom räckhåll för barn eller djur. Om ett djur eller barn skadar enheten (t.ex. om höljet går sönder) ska du sluta använda enheten och kontakta tedees tekniska support.
- Enheten får inte användas av barn under 13 år utan uppsikt av en vuxen.
- Dela inte med dig av inloggningsuppgifterna till Tedee-programmet och ge inte obehöriga personer fjärråtkomst till dina lokaler. Tillverkaren ska inte hållas ansvarig för skador som orsakas av att obehörig personal får tillgång

till lokalerna.

**WARNING:** Tedee torrkontakt kan drabbas av tekniska fel, så det kanske inte går att öppna dörrlåset. Bär alltid med dig din smartphone och nyckeln till dörrlåset eller lämna den på en tillgänglig plats så att dörren kan låsas upp manuellt i händelse av ett sådant enhetsfel.

## **GÖR**

- Följ noga installationshandboken och säkerhetsföreskrifterna. Om du är osäker, kontakta tedees tekniska support.
- Om reparationer krävs, kontakta tedees tekniska support.
- Använd endast den nätspänning som specificeras av Tedee. Om så inte sker kan det leda till skador på enheten som inte täcks av garantin.

## **ÖVRIG INFORMATION**

- Att inte följa rekommendationerna i denna bruksanvisning kan vara farligt eller utgöra ett lagbrott. Tillverkaren är inte ansvarig för förlust eller skada som uppstår om dessa anvisningar inte följs.
- Denna enhet är säker att använda under normala och rimligen förutsebara felanvändningsvillkor. Om du märker några tecken på fel eller maskinvarufel, kontakta tedees tekniska support för att få hjälp. I sådana fall ska enheten returneras till tedee för nödvändiga reparationer enligt garantivillkoren. Alla ändringar eller modifieringar av enhetens maskinvara eller programvara som inte är godkända, rekommenderade eller tillhandahållna av tedee kan göra garantin ogiltig.
- Denna enhet kräver strömkälla och Bluetooth(R)-anslutning för att fungera korrekt. För att para ihop enheten med tedee bridge krävs en internetanslutning för att kunna använda vissa av enhetens funktioner. Tillverkaren ansvarar inte för eventuella problem med rumsåtkomst till följd av bristande internetanslutning eller fel på eller uttömning av strömkällan.
- Denna enhet är inte avsedd att användas som en del av ett säkerhetssystem för hemmet. Tillverkaren deklarerar inte några inbrottskyddande egenskaper eller intyg, certifikat eller klasser för inbrottskydd för enheten. Tillverkaren

ska inte hållas ansvarig för eventuella skador som uppstår på grund av stöld, inbrott eller intrång till följd av skada, övervinnande eller obehörig kontroll av enheten.

- Denna enhet kan kräva inköp av ytterligare produkter för att aktivera vissa av dess funktioner. Om du är osäker, vänligen kontakta tedee support.
- Om du ansluter enheten till en strömförsörjning som inte uppfyller specifikationerna i EN 50081-1, EN 50082-1, UL508 och EN 60950 kan garantin upphöra att gälla.

## **UNDERHÅLL**

- Koppla bort produkten från strömförsörjningen före rengöring. Använd inte smörjmedel, rengöringsmedel, polermedel eller luftfräschare på någon del av enheten. Torka endast av den med en torr trasa.
- Använd aldrig skadade kablar när du ansluter apparaten.
- Försök inte demontera kabeln eftersom du då kan utsättas för elektriska stötar.

## **JURIDISKA / MILJÖMÄSSIGA ANMÄRKNINGAR**

### **EU-FÖRSÄKRAN OM ÖVERENSSTÄMMELSE**

Tedee Sp. z o.o. förklarar härmed att radioenheten Tedee Dry Contact TDCV1.0 är i enlighet med direktiv 2014/53/EU. Den fullständiga texten till EU-försäkran om överensstämmelse finns tillgänglig på följande internetadress: <https://tedee.com/compliance>.

### **WEEE / ROHS**

För att förhindra eventuell negativ påverkan på miljön bör du rådfråga lokala lagar och bestämmelser för korrekt kassering av elektroniska enheter och batterier i ditt land. Kassering av batterier - om din tedee-enhet innehåller batterier ska du inte slänga dem tillsammans med vanligt hushållsavfall. Lämna dem till lämplig återvinnings- eller insamlingsstation. Batterier som används i tedee-enheter innehåller inte kvicksilver, kadmium eller bly över de nivåer som anges i direktiv 2006/66/EG. Kassering av elektronik - kassera inte din tedee-enhet

tillsammans med vanligt hushållsavfall. Lämna den till lämplig återvinnings- eller insamlingsplats.

#### **BLUETOOTH®, BLUETOOTH**

Ordmärket Bluetooth® och logotyperna ägs av Bluetooth SIG, Inc. och all användning av sådana märken av Tedee Sp. z o.o. sker under licens. Andra varumärken och handelsnamn tillhör sina respektive ägare.

Google, Android och Google Play är varumärken som tillhör Google LLC.

Apple och App Store är varumärken som tillhör Apple Inc. IOS är ett varumärke eller registrerat varumärke som tillhör Cisco i USA och andra länder och används under licens.

tedee® är ett registrerat varumärke som tillhör Tedee Sp. z o. o. Copyright (C) 2022. Alla rättigheter förbehållna.

#### **GARANTI**

Tedee begränsad maskinvarugaranti - Tedee Sp. z o.o. garanterar att tedee-enheter är fria från maskinvarufel i material och utförande under en period på minst 2 år från datumet för det första detaljhandelsköpet. Tedee Sp. z o.o. tar inte ansvar för felaktig användning av enheter (inklusive andra laddningsmetoder än de som beskrivs i denna broschyr), särskilt inte om användaren har gjort några ändringar eller modifieringar av enhetens maskinvara eller programvara som inte är godkända, rekommenderade eller tillhandahållna av Tedee. Fullständig garantiinformation finns tillgänglig på följande länk: [www.tedee.com/warranty](http://www.tedee.com/warranty)

#### **NO | SIKKERHETSINFORMASJON**

**ADVARSEL:** Les alle sikkerhetsretningslinjene og advarslene. Hvis du ikke følger retningslinjene og advarslene, kan det føre til elektrisk støt, brann og/eller alvorlig personskade. Ta vare på disse instruksjonene for fremtidig bruk. For å få tilgang til den nyeste og mest oppdaterte versjonen av disse instruksjonene, se: <https://tedee.com/>

#### **ADVARSEL**

Koble til enheten kun i henhold til instruksjonene i denne bruksanvisningen. Feilaktige tilkoblinger kan forårsake brann eller elektrisk støt, skade enheten og gjøre produktgarantien ugyldig. Hvis du er i tvil, må du kontakte en kvalifisert elektriker eller produsenten.

#### **FARE! FARE FOR ELEKTRISK STØT!**

IKKE ta på utgangene til installasjonen uten skikkelig isolasjon (f.eks. gummihansker). Selv når enheten er slått av, kan utgangene fortsatt være spenningsførende (overfører aktivt strøm). Alt installasjonsarbeid skal ALLTID utføres med strømkretsen frakoblet.

Koble ALDRI apparatet direkte til en stikkontakt eller 230V/110V strømforsyning. Stor fare for elektrisk støt og/eller brann.

#### **IKKE GJØR DET**

- Ikke åpne, modifier eller demonter enheten eller tilbehøret.
- Ikke utfør selv service på noen del av enheten. Hvis det er behov for reparasjoner, kan du kontakte tedees tekniske support på <https://tedee.com/>
- Ikke senk enheten ned i væske, vann eller utsett den for fuktighet.
- Ikke bruk apparatet i nærheten av ekstreme varmekilder (f.eks. radiatorer eller skorstein), kalde kilder, åpen ild eller andre ekstreme forhold.
- Ikke bruk enheten i omgivelser med høy luftfuktighet, støv eller luftforurensning. Bruk enheten kun innendørs.
- Ikke stikk metallgjenstander inn i åpninger og åpninger i apparatet, med unntak av kabelender som er koblet til i henhold til instruksjonene.
- Ikke håndter noen del av enheten eller tilbehøret med våte hender.
- Ikke bruk trykk på kablene under tilkobling av enheten utover det som er spesifisert av produsenten for å unngå skade eller deformasjon.
- Ikke forsøk å fjerne kablene fra stikkontaktene med makt. Kontakt tedee support i tilfelle problemer.

- Ikke fjern isolasjonen fra kablene, bortsett fra ved kabelendene som brukes i apparatets stikkontakter.
- Hvis mulig, må du ikke installere enheten innen rekkevidde av barn eller dyr. Hvis et dyr eller barn skader enheten (f.eks. hvis huset går i stykker), må du slutte å bruke enheten og kontakte tedee teknisk support.
- Enheten skal ikke brukes av barn under 13 år uten tilsyn av en voksen.
- Ikke del påloggingsinformasjonen til Tedee-applikasjonen eller gi uautoriserte personer ekstern tilgang til lokalene dine. Produsenten er ikke ansvarlig for skader som oppstår som følge av at uautorisert personell får tilgang til lokalene.

**ADVARSEL:** Tedee tørrkontakt kan lide av teknisk svikt, slik at den kanskje ikke kan åpne dørlåsen din. Ta alltid med deg smarttelefonen og nøkkelen til dørlåsen, eller la den ligge på et tilgjengelig sted, slik at døren kan låses opp manuelt i tilfelle en slik feil på enheten.

#### **GJØR**

- Følg installasjonshåndboken og sikkerhetsreglene nøye. Hvis du er i tvil, ta kontakt med tedee teknisk support.
- Hvis det er behov for reparasjoner, vennligst kontakt tedee teknisk support.
- Bruk kun den strømforsyningsspenningen som er spesifisert av tedee. Hvis dette ikke overholdes, kan det føre til skader på enheten som ikke dekkes av garantien.

#### **ANNEN INFORMASJON**

- Det kan være farlig eller medføre lovbrudd å ikke følge anbefalingene i denne håndboken. Produsenten er ikke ansvarlig for tap eller skade som følge av at disse instruksjonene ikke følges.
- Denne enheten er trygg å bruke under normale og rimelig forutsigbare misbruksforhold. Hvis du oppdager tegn på feil eller maskinvarefeil, må du kontakte tedees tekniske support for å få hjelp. I slike tilfeller skal enheten returneres til tedee for nødvendige reparasjoner i henhold til garantibetingelsene. Eventuelle endringer eller modifikasjoner av enhetens

maskinvare eller programvare som ikke er godkjent, anbefalt eller levert av tedee, kan gjøre garantien ugyldig.

- Denne enheten krever strømkilde og Bluetooth(R)-tilkobling for å fungere korrekt. For å kunne koble enheten sammen med tedee bridge kreves det en Internett-tilkobling for å kunne bruke noen av enhetens funksjoner. Produsenten er ikke ansvarlig for eventuelle problemer med tilgang til rommet som følge av manglende internettilgang eller svikt i eller oppbrukt strømkilde.
- Denne enheten er ikke beregnet for bruk som en del av et sikkerhetssystem i hjemmet. Produsenten oppgir ingen innbruddshemmende egenskaper eller attester, sertifikater eller klasser for innbruddshemmende beskyttelse for enheten. Produsenten er ikke ansvarlig for eventuelle skader som kan oppstå på grunn av tyveri, innbrudd eller inntrenging som følge av skade, overtakelse eller uautorisert kontroll over enheten.
- Denne enheten kan kreve kjøp av tilleggsprodukter for å aktivere noen av funksjonene. Hvis du er i tvil, vennligst kontakt tedee support.
- Hvis du kobler enheten til en strømforsyning som ikke oppfyller spesifikasjonene i EN 50081-1, EN 50082-1, UL508 og EN 60950, kan garantien oppheves.

#### **VEDLIKEHOLD**

- Koble produktet fra strømforsyningen før rengjøring. Ikke bruk smøremidler, rengjøringsmidler, poleringsmidler eller luftfriskere på noen deler av enheten. Tørk den kun av med en tørr klut.
- Bruk aldri ødelagte kabler når du kobler til enheten.
- Ikke prøv å demontere kablet, da dette kan utsette deg for elektrisk støt.

#### **JURIDISKE / MILJØMESSIGE MERKNADER**

##### **EU-SAMSVARERKLÆRING**

Tedee Sp. z o.o. erklærer herved at Tedee Dry Contact TDCV1.0 radioenhet er i samsvar med direktiv 2014/53/EU. Den fullstendige teksten til EU-samsvarserklæringen er tilgjengelig på følgende internetadresse: <https://tedee>.

com/compliance.

### **WEEE / ROHS**

For å forhindre potensiell negativ innvirkning på miljøet, bør du ta kontakt med lokale lover og forskrifter for korrekt avhending av elektroniske enheter og batterier i ditt land. Kassering av batterier - hvis tedee-enheten din inneholder batterier, må du ikke kaste dem sammen med vanlig husholdningsavfall. Lever dem til et egnet resirkulerings- eller innsamlingssted. Batterier som brukes i tedee-enheter, inneholder ikke kvikksølv, kadmium eller bly over nivåene som er spesifisert i direktiv 2006/66/EF. Avhending av elektronikk - ikke kast tedee-enheten sammen med vanlig husholdningsavfall. Lever den til et egnet resirkulerings- eller innsamlingssted.

### **BLUETOOTH®**

Bluetooth®-ordmerket og logoene eies av Bluetooth SIG, Inc. og enhver bruk av slike merker av Tedee Sp. z o.o. er under lisens. Andre varemerker og handelsnavn tilhører sine respektive eiere.

Google, Android og Google Play er varemerker som tilhører Google LLC.

Apple og App Store er varemerker som tilhører Apple Inc. IOS er et varemerke eller registrert varemerke som tilhører Cisco i USA og andre land, og brukes under lisens. tedee® er et registrert varemerke for Tedee Sp. z o. o. Copyright (C) 2022. Alle rettigheter forbeholdt.

### **GARANTI**

Tedee begrenset maskinvaregaranti - Tedee Sp. z o.o. garanterer at Tedee-enheter er fri for maskinvarefeil i materialer og utførelse i en periode på minst 2 år fra datoen for det første detaljhandelskjøpet. Tedee Sp. z o.o. tar ikke ansvar for feil bruk av enhetene (inkludert andre metoder for lading enn det som er beskrevet i dette heftet), spesielt hvis brukeren har foretatt endringer eller modifikasjoner av maskinvaren eller programvaren som ikke er godkjent, anbefalt eller levert av tedee. Fullstendig garantiinformasjon er tilgjengelig på følgende lenke: [www.tedee.com/compliance](http://www.tedee.com/compliance).

[tedee.com/warranty](https://tedee.com/warranty)

### **FI | TURVALLISUUSTIEDOT**

VAROITUS: Lue kaikki turvallisuusohjeet ja varoitukset. Ohjeiden ja varoitusten noudattamatta jättäminen voi aiheuttaa sähköiskun, vammoja ja/tai vakavia vammoja. Säilytä nämä ohjeet tulevaa käyttöä varten. Näiden ohjeiden uusin ja ajantasaisin versio on saatavilla osoitteessa: <https://tedee.com/>.

### **VAROITUS**

Kytke laite vain tässä käyttöoppaassa annettujen ohjeiden mukaisesti. Väärät liitännät voivat aiheuttaa tulipalon tai sähköiskun, vahingoittaa laitetta ja mitätöidä tuotteen takuun. Jos olet epävarma, ota yhteyttä pätevään sähköasentajaan tai valmistajaan.

### **VAARA! SÄHKÖISKUN VAARA!**

ÄLÄ koske asennuksen ulostuloihin ilman asianmukaista eristystä (esim. kumihanskat). Vaikka laite on sammutettu, lähdöt voivat olla edelleen jännitteisiä (lähettää aktiivisesti sähköä). Kaikki asennustyöt on AINA tehtävä virtapiiri irrotettuna.

ÄLÄ KOSKAAN kytke laitetta suoraan pistorasiaan tai 230V/110V-virtalähteeseen. Suuri sähköiskun ja/tai tulipalon vaara.

### **ÄLÄ**

- Älä avaa, muuta tai pura laitetta tai sen lisävarusteita.
- Älä huolla mitään laitteen osaa itse. Jos korjauksia tarvitaan, ota yhteyttä tedeen tekniseen tukeen osoitteessa <https://tedee.com/>.
- Älä upota laitetta mihinkään nesteeseen tai veteen tai altista sitä kosteudelle.

- Älä käytä laitetta lähellä äärimmäistä lämmönlähdettä (kuten lämpöpatteria tai savupiippua), kylmää lähdettä, avotulta tai muita äärimmäisiä olosuhteita.
- Älä käytä laitetta ympäristössä, jossa on korkea kosteus- tai pölypitoisuus tai korkea ilmansaaste. Käytä laitetta vain sisätiloissa.
- Älä työnnä mitään metalliesineitä laitteen aukkoihin ja rakoihin, lukuun ottamatta ohjeiden mukaisesti liitettyjä kaapelinpäitä.
- Älä käsittele mitään laitteen osaa tai sen lisävarusteita märin käsin.
- Älä paina kaapeleita laitteen kytkennän aikana enempää kuin valmistaja on määrännyt, jotta vältät vaurioitumisen tai muodonmuutoksen.
- Älä yritä irrottaa kaapeleita pistorasioista väkisin. Ota ongelmatilanteissa yhteyttä tedee-tukeen.
- Älä poista eristystä kaapeleista paitsi laitteen pistorasioissa käytettävien kaapeleiden päistä.
- Älä asenna laitetta lasten tai eläinten ulottuville, jos mahdollista. Jos eläin tai lapsi vahingoittaa laitteen eheyttä (esimerkiksi kotelo rikkoutuu), lopeta laitteen käyttö ja ota yhteyttä tedeen tekniseen tukeen.
- Laitetta eivät saa käyttää alle 13-vuotiaat lapset ilman aikuisen valvontaa.
- Älä jaa Tedee-sovelluksen kirjautumistietojasi tai myönnä etäkäyttöoikeutta tiloihisi asiattomille henkilöille. Valmistaja ei ole vastuussa vahingoista, jotka aiheutuvat tiloihin pääsyn myöntämisestä luvattomille henkilöille.

**VAROITUS:** Tedee-kuivakoskettimessa saattaa esiintyä teknisiä vikoja, joten se ei välttämättä pysty avaamaan ovilukkoasi. Pidä älypuhelin ja ovilukon avainta aina mukanasasi tai jätä se helposti saatavilla olevaan paikkaan, jotta ovi voidaan avata manuaalisesti, jos tällainen laitevika ilmenee.

## TEE

- Noudata tarkasti asennusohjetta ja turvaohjeita. Jos olet epävarma, ota yhteyttä tedeen tekniseen tukeen.
- Jos korjauksia tarvitaan, ota yhteyttä tedeen tekniseen tukeen.
- Käytä vain tedeen määrittelemää virtalähteen jännitettä. Muussa tapauksessa laite voi vahingoittua, eikä takuu kata sitä.

## MUUT TIEDOT

- Tämän käyttöoppaan suositusten noudattamatta jättäminen voi olla vaarallista tai aiheuttaa lain rikkomisen. Valmistaja ei ole vastuussa mistään menetyksistä tai vahingoista, jotka johtuvat näiden ohjeiden noudattamatta jättämisestä.
- Tätä laitetta on turvallista käyttää tavanomaisen ja kohtuudella ennakoitavissa olevan väärinkäytön käyttöohjeiden mukaisesti. Jos havaitset merkkejä virheistä tai laitteen toimintahäiriöistä, ota yhteyttä tedee tekniseen tukeen. Tällaisessa tapauksessa tämä laite on palautettava tedeele tarvittavia korjauksia varten takuuehtojen mukaisesti. Kaikki laitteen laitteistoon tai ohjelmistoon tehdyt muutokset tai modifikaatiot, jotka eivät ole tedeen hyväksymiä, suosittelemia tai toimittamia, voivat mitätöidä takuun.
- Tämä laite vaatii virtalähteen ja Bluetooth(R)-yhteyden toimiakseen oikein. Jotta laite voidaan yhdistää tedee bridge -laitteeseen, tarvitaan Internet-yhteys, jotta joitakin laitteen ominaisuuksia voidaan käyttää. Valmistaja ei ole vastuussa mahdollisista huonekäyttöongelmista, jotka johtuvat internetyhteyden puuttumisesta tai virtalähteen vikaantumisen tai loppumisesta.
- Tätä laitetta ei ole tarkoitettu käytettäväksi osana kodin turvajärjestelmää. Valmistaja ei ilmoita laitteelle murto suojaominaisuuksia tai todistuksia, sertifiikaatteja tai murto suojausluokkia. Valmistaja ei ole vastuussa mahdollisista varkaudesta, murto varkaudesta tai tunkeutumisesta aiheutuvista vahingoista/vammoista, jotka johtuvat laitteen vahingoittumisesta, ylittämisestä tai luvattomasta hallinnan saamisesta.
- Tämä laite saattaa vaatia lisä tuotteiden ostamista, jotta jotkin sen ominaisuuksista voidaan ottaa käyttöön. Jos olet epävarma, ota yhteyttä tedeen tukeen.
- Laitteen liittäminen virtalähteeseen, joka ei täytä standardien EN 50081-1, EN 50082-1, UL508 ja EN 60950 mukaisia vaatimuksia, voi mitätöidä takuun.

## HUOLTO

- Irrota tuote virtalähteestä ennen puhdistusta. Älä käytä mitään

voiteluaineita, puhdistusaineita, kiillotusaineita tai ilmanraikastimia missään laitteen osassa. Pyyhi se vain kuivalla liinalla.

- Älä koskaan käytä vaurioituneita kaapeleita laitetta kytkiessäsi.
- Älä yritä purkaa kaapelia, sillä se voi aiheuttaa sähköiskun.

## **OIKEUDELLISET / YMPÄRISTÖÖN LIITTYVÄT HUOMAUTUKSET**

### **EU:N VAATIMUSTENMUKAISUUSVAKUUTUS**

Tedee Sp. z o.o. vakuuttaa täten, että Tedee Dry Contact TDCV1.0 -radiolaite on direktiivin 2014/53/EU mukainen. EU:n vaatimustenmukaisuusvakuutuksen koko teksti on saatavissa seuraavasta Internet-osoitteesta: <https://tedee.com/compliance>.

### **WEEE / ROHS**

Mahdollisten kielteisten ympäristövaikutusten välttämiseksi tutustu paikallisiin lakeihin ja määräyksiin, jotka koskevat elektronisten laitteiden ja paristojen asianmukaista hävittämistä maassasi. Paristojen hävittäminen - jos tedee-laitteesi sisältää paristoja, älä hävitä niitä tavallisen talousjätteen mukana. Toimita ne asianmukaiseen kierrätys- tai keräyspisteeseen. Tedee-laitteissa käytetyt paristot eivät sisällä elohopeaa, kadmiumia tai lyijyä yli direktiivissä 2006/66/EY määritettyjen tasojen. Elektroniikan hävittäminen - älä hävitä tedee-laitetta tavallisen kotitalousjätteen mukana. Toimita se asianmukaiseen kierrätys- tai keräyspisteeseen.

### **BLUETOOTH®**

Bluetooth®-sanamerkki ja logot ovat Bluetooth SIG, Inc:n omistuksessa, ja Tedee Sp. z o.o. käyttää näitä merkkejä lisenssin perusteella. Muut tavaramerkit ja kauppanimet ovat niiden omistajien tavaramerkkejä ja kauppanimiä.

Google, Android ja Google Play ovat Google LLC:n tavaramerkkejä.

Apple ja App Store ovat Apple Inc:n tavaramerkkejä. IOS on Ciscon tavaramerkki tai rekisteröity tavaramerkki Yhdysvalloissa ja muissa maissa, ja sitä käytetään lisenssillä.

tedee® on Tedee Sp. z o.o:n rekisteröity tavaramerkki. Copyright (C) 2022. Kaikki oikeudet pidätetään.

### **TAKUU**

Tedeen rajoitettu laitteistotakuu - Tedee Sp. z o.o. takaa, että tedee-laitteissa ei ole materiaali- ja valmistusvirheitä vähintään 2 vuoden ajan ensimmäisestä vähittäisostosta. Tedee Sp. z o.o. ei ota vastuuta laitteiden väärinkäytöstä (mukaan lukien muut kuin tässä esitteessä kuvatut latausmenetelmät), varsinkaan jos käyttäjä on tehnyt laitteen laitteistoon tai ohjelmistoon muutoksia tai modifikaatioita, jotka eivät ole tedeen hyväksymiä, suosittelemia tai toimittamia. Täydelliset takuutiedot ovat saatavilla seuraavasta linkistä: [www.tedee.com/warranty](http://www.tedee.com/warranty).

### **RO | INFORMAȚII PRIVIND SIGURANȚA**

AVERTISMENT: Citiți toate instrucțiunile de siguranță și avertismentele. Nerespectarea liniilor directe și a avertismentelor poate duce la șocuri electrice, ire și/sau răniri grave. Păstrați aceste instrucțiuni pentru utilizare ulterioară. Pentru a accesa cea mai recentă și actualizată versiune a acestor instrucțiuni, vizitați: <https://tedee.com/>

### **AVERTISMENT**

Conectați dispozitivul numai în conformitate cu instrucțiunile din acest manual. Conexiunile necorespunzătoare pot provoca incendii sau șocuri electrice, pot deteriora dispozitivul și pot anula garanția produsului. În caz de îndoieli, contactați un electrician calificat pentru asistență sau producătorul.

### **PERICOL! RISC DE ELECTROCUTARE!**

NU atingeți ieșirile instalației dvs. fără o izolație adecvată (de exemplu, mănuși de cauciuc). Chiar și atunci când dispozitivul este oprit, ieșirile pot fi încă sub tensiune (transmit în mod activ electricitate). Toate lucrările de instalare trebuie efectuate

ÎNTOTDEAUNA cu circuitul de alimentare deconectat.

Nu conectați NICIODATĂ dispozitivul direct la o priză electrică sau la o sursă de alimentare de 230V/110V. Risc ridicat de electrocutare și/sau de incendiu.

#### **NU**

- Nu deschideți, nu modificați și nu dezasamblați dispozitivul sau accesoriile acestuia.
- Nu asigurați autoservirea niciunei părți a dispozitivului. Dacă sunt necesare reparații, contactați serviciul de asistență tehnică tedee la <https://tedee.com/>.
- Nu scufundați dispozitivul în niciun lichid, apă sau expuneți-l la umiditate.
- Nu utilizați aparatul în apropierea unei surse de căldură extremă (cum ar fi radiatorul sau coșul de fum), a unei surse de frig, a unui foc deschis sau a altor condiții extreme.
- Nu utilizați aparatul într-un mediu cu un nivel ridicat de umiditate sau de praf, precum și cu un nivel ridicat de poluare a aerului. Utilizați dispozitivul numai în interior.
- Nu introduceți niciun obiect metalic în deschiderile și golurile dispozitivului, cu excepția capetelor de cablu conectate conform instrucțiunilor.
- Nu manipulați nicio parte a dispozitivului sau a accesoriilor sale cu mâinile umede.
- Nu aplicați o presiune asupra cablurilor în timpul conectării dispozitivului mai mare decât cea specificată de producător pentru a preveni deteriorarea sau deformarea.
- Nu încercați să scoateți cu forța cablurile din prizele lor. În caz de probleme, contactați asistența tedee.
- Nu îndepărtați izolația cablurilor decât la capetele cablurilor utilizate în prizele dispozitivului.
- Nu instalați dispozitivul la îndemâna copiilor sau a animalelor, dacă este posibil. În cazul în care un animal sau un copil deteriorează integritatea dispozitivului (de exemplu, carcasa se rupe), nu mai utilizați dispozitivul și contactați asistența tehnică tedee.
- Dispozitivul nu trebuie utilizat de copii cu vârsta sub 13 ani fără

supravegherea unui adult.

- Nu partajați credențialele de conectare la aplicația Tedee și nu acordați acces de la distanță la sediul dvs. unor persoane neautorizate. Producătorul nu este răspunzător pentru daunele cauzate de acordarea accesului la sediul unor persoane neautorizate.

**AVERTISMENT:** Contactul uscat Tedee poate suferi defecțiuni tehnice, astfel încât este posibil să nu poată deschide încuietoarea ușii dvs. Purtați întotdeauna cu dumneavoastră smartphone-ul și cheia de la încuietoarea ușii sau lăsați-o într-un loc accesibil, astfel încât ușa să poată fi deblocată manual în cazul unei astfel de erori a dispozitivului.

#### **DO**

- Urmați îndeaproape manualul de instalare și măsurile de siguranță. Dacă aveți îndoieli, contactați asistența tehnică tedee.
- În cazul în care sunt necesare reparații, vă rugăm să contactați serviciul de asistență tehnică tedee.
- Utilizați numai tensiunea de alimentare specificată de tedee. În caz contrar, se pot produce deteriorări ale dispozitivului, neacoperite de garanție.

#### **ALTE INFORMAȚII**

- Nerespectarea recomandărilor incluse în acest manual poate fi periculoasă sau poate cauza o încălcare a legii. Producătorul nu este responsabil pentru nicio pierdere sau daună rezultată din nerespectarea acestor instrucțiuni.
- Acest dispozitiv este sigur pentru utilizare în condiții normale și în condiții de utilizare greșită previzibilă în mod rezonabil Codul de conduită de operare. Dacă observați semne de erori sau de funcționare defectuoasă a hardware-ului, contactați suportul tehnic tedee pentru ajutor. În acest caz, acest dispozitiv trebuie returnat la tedee pentru reparațiile necesare în condițiile de garanție. Orice schimbări sau modificări ale hardware-ului sau software-ului dispozitivului care nu sunt aprobate, recomandate sau furnizate de tedee pot anula garanția.
- Acest dispozitiv necesită o sursă de alimentare și o conexiune Bluetooth(R)



pentru a funcționa corect. Pentru a împerechea dispozitivul cu tedee bridge este necesară o conexiune la internet pentru a utiliza unele dintre funcțiile dispozitivului. Producătorul nu este responsabil pentru eventualele probleme de acces la cameră care rezultă din lipsa accesului la internet sau din defectarea sau epuizarea sursei de alimentare.

- Acest dispozitiv nu este destinat utilizării ca parte a unui sistem de securitate pentru locuință. Producătorul nu declară nicio proprietate antifracție sau atestate, certificate sau clase de protecție antifracție pentru acest dispozitiv. Producătorul nu este răspunzător pentru eventualele daune/vătămări suferite în urma unui furt, a unei spargerii sau a unei intruziuni rezultate din deteriorarea, depășirea sau obținerea neautorizată a controlului asupra dispozitivului.
- Acest dispozitiv poate necesita achiziționarea de produse suplimentare pentru a activa unele dintre caracteristicile sale. Dacă aveți îndoieli, vă rugăm să contactați serviciul de asistență tedee.
- Conectarea dispozitivului la o sursă de alimentare care nu respectă specificațiile prezentate în EN 50081-1, EN 50082-1, UL508 și EN 60950 poate anula garanția.

#### **ÎNȚREȚINERE**

- Deconectați produsul de la sursa de alimentare înainte de curățare. Nu utilizați lubrifianți, agenți de curățare, produse de lustruire sau odorizante pe nicio parte a dispozitivului. Ștergeți-l numai cu o cârpă uscată.
- Nu utilizați niciodată cabluri deteriorate la conectarea dispozitivului.
- Nu încercați să dezasaamblați cablul, deoarece vă puteți expune la șocuri electrice.

#### **NOTE JURIDICE / DE MEDIU**

##### **DECLARAȚIA DE CONFORMITATE UE**

Tedee Sp. z o.o. declară prin prezenta că dispozitivul radio Tedee Dry Contact TDCV1.0 este în conformitate cu Directiva 2014/53/UE. Textul integral al Declarației de conformitate UE este disponibil la următoarea adresă de internet: <https://tedee.com/compliance>.

[com/compliance](https://tedee.com/compliance).

##### **WEEE / ROHS**

Pentru a preveni un potențial impact negativ asupra mediului, consultați legile și reglementările locale pentru eliminarea corectă a dispozitivelor electronice și a bateriilor în țara dumneavoastră. Eliminarea bateriilor - dacă dispozitivul tedee conține baterii, nu le aruncați cu deșeurile menajere obișnuite. Predați-le la punctul de reciclare sau de colectare corespunzător. Bateriile utilizate în dispozitivele tedee nu conțin mercur, cadmiu sau plumb peste nivelurile specificate în Directiva 2006/66/CE. Eliminarea dispozitivelor electronice - nu aruncați dispozitivul tedee împreună cu deșeurile menajere obișnuite. Predați-l la punctul de reciclare sau de colectare corespunzător.

##### **BLUETOOTH®**

Marca verbală și logo-urile Bluetooth® sunt deținute de Bluetooth SIG, Inc. și orice utilizare a acestor mărci de către Tedee Sp. z o.o. se face sub licență. Alte mărci comerciale și denumiri comerciale aparțin proprietarilor respectivi.

Google, Android și Google Play sunt mărci comerciale ale Google LLC.

Apple și App Store sunt mărci comerciale ale Apple Inc. IOS este o marcă comercială sau o marcă comercială înregistrată a Cisco în SUA și în alte țări și este utilizată sub licență.

tedee® este o marcă înregistrată a Tedee Sp. z o. o. Copyright (C) 2022. Toate drepturile rezervate.

##### **GARANȚIE**

Garanția limitată Tedee pentru hardware - Tedee Sp. z o.o. garantează că dispozitivele Tedee nu prezintă defecte hardware în ceea ce privește materialele și manopera pentru o perioadă de cel puțin 2 ani de la data primei achiziții cu amănuntul. Tedee Sp. z o.o. nu își asumă responsabilitatea pentru utilizarea necorespunzătoare a dispozitivelor (inclusiv pentru alte metode de încărcare decât cele descrise în această broșură), în special dacă au fost efectuate de către utilizator

schimbări sau modificări ale hardware-ului sau software-ului dispozitivului care nu sunt aprobate, recomandate sau furnizate de tedee. Informații complete privind garanția sunt disponibile la următorul link: [www.tedee.com/warranty](http://www.tedee.com/warranty)

## **BG | ИНФОРМАЦИЯ ЗА БЕЗОПАСНОСТ**

**ПРЕДУПРЕЖДЕНИЕ:** Прочетете всички указания и предупреждения за безопасност. Неспазването на указанията и предупрежденията може да доведе до токов удар, обгазяване и/или сериозно нараняване. Съхранявайте тези инструкции за бъдеща употреба.

За да получите достъп до последната, най-актуална версия на тези инструкции, посетете: <https://tedee.com/>

## **ПРЕДУПРЕЖДЕНИЕ**

Свързвайте устройството само съгласно инструкциите, предоставени в това ръководство. Неправилното свързване може да причини пожар или токов удар, да повреди устройството и да доведе до отпадане на гаранцията на продукта. При съмнения се обърнете към квалифициран електротехник за помощ или към производителя.

## **ОПАСНОСТ! ОПАСНОСТ ОТ ТОКОВ УДАР!**

НЕ докосвайте изходите на вашата инсталация без подходяща изолация (напр. гумени ръкавици). Дори когато устройството е изключено, изходите могат да продължат да бъдат под напрежение (активно да предават електричество). Всички монтажни работи трябва **ВСИЧКИ** да се извършват при изключена електрическа верига.

**НИКОГА** не включвайте устройството директно към електрически контакт или захранване 230V/110V. Висок риск от токов удар и/или пожар.

## **НЕ**

- Не отваряйте, не модифицирайте и не разглобявайте устройството или неговите аксесоари.
- Не обслужвайте самостоятелно нито една част от устройството. Ако е необходим ремонт, свържете се с техническата поддръжка на tedee на <https://tedee.com/>
- Не потапяйте устройството в течност, вода и не го излагайте на влага.
- Не използвайте устройството в близост до източник на топлина (например радиатор или комин), източник на студ, открит огън или други екстремни условия.
- Не използвайте устройството в среда с висока влажност или запрашеност, както и с високо замърсяване на въздуха. Използвайте устройството само на закрито.
- Не поставяйте никакви метални предмети в отворите и пролуките на устройството, с изключение на кабелните краища, свързани съгласно инструкциите.
- Не боравете с която и да е част от устройството или неговите аксесоари с мокри ръце.
- Не оказвайте натиск върху кабелите по време на свързването на устройството, надвишаващ определения от производителя, за да предотвратите повреда или деформация.
- Не се опитвайте да изваждате със сила кабелите от гнездата им. В случай на проблеми се свържете с отдела за поддръжка на tedee.
- Не премахвайте изолацията на кабелите, освен в краищата на кабелите, използвани в гнездата на устройството.
- Ако е възможно, не инсталирайте устройството на място, достъпно за деца или животни. Ако дете или животно повреди целостта на устройството (например корпусът се счупи), спрете да използвате устройството и се свържете с техническата поддръжка на tedee.
- Устройството не трябва да се използва от деца под 13-годишна възраст без надзора на възрастен.
- Не споделяйте данните си за вход в приложението Tedee и не предоставяйте отдалечен достъп до помещенията си на неоторизирани

лица. Производителят не носи отговорност за щети, причинени от предоставянето на достъп до помещенията на неоторизиран персонал.

**ПРЕДУПРЕЖДЕНИЕ:** Сухият контакт на Tedee може да претърпи техническа повреда, поради което може да не успее да отвори ключалката на вратата ви. Винаги носете със себе си смартфона и ключа за ключалката на вратата или го оставяйте на достъпно място, за да може вратата да бъде отключена ръчно в случай на такава грешка на устройството.

#### **НАПРАВЕТЕ**

- Спазвайте стриктно ръководството за монтаж и мерките за безопасност. Ако имате съмнения, свържете се с техническата поддръжка на tedee.
- Ако е необходим ремонт, свържете се с техническата поддръжка на tedee.
- Използвайте само захранващото напрежение, посочено от tedee. Неспазването му може да доведе до повреда на устройството, която не се покрива от гаранцията.

#### **ДРУГА ИНФОРМАЦИЯ**

- Неспазването на препоръките, включени в това ръководство, може да бъде опасно или да доведе до нарушаване на закона. Производителят не носи отговорност за каквито и да било загуби или щети, произтичащи от неспазването на тези инструкции.
- Това устройство е безопасно за използване при нормална и разумно предвидима неправилна употреба. Ако забележите никакви признаци на грешки или хардуерна неизправност, свържете се с техническата помощ на tedee за помощ. В такъв случай това устройство трябва да бъде върнато на tedee за необходимия ремонт съгласно гаранционните условия. Всякакви промени или модификации на хардуера или софтуера на устройството, които не са одобрени, препоръчани или предоставени от tedee, могат да анулират гаранцията ви.
- Това устройство изисква източник на захранване и Bluetooth(R)

връзка за правилна работа. За да вдвоите устройството с моста tedee, е необходима интернет връзка, за да използвате някои от функциите на устройството. Производителят не носи отговорност за евентуални проблеми с достъпа до стаята, произтичащи от липсата на достъп до интернет или от повреда или изчерпване на източника на захранване.

- Това устройство не е предназначено за използване като част от домашна система за сигурност. Производителят не декларира никакви свойства за защита от взлом или атаки, сертификати или класове на защита от взлом за устройството. Производителят не носи отговорност за евентуални щети/наранявания, претърпени в резултат на кражба, взлом или проникване в резултат на повреда, преодоляване или неоторизирано придобиване на контрол върху устройството.
- Това устройство може да изисква закупуването на допълнителни продукти, за да се активират някои от функциите му. Ако имате съмнения, моля, свържете се с отдела за поддръжка на tedee.
- Свързването на устройството към захранване, което не отговаря на спецификациите, описани в EN 50081-1, EN 50082-1, UL508 и EN 60950, може да доведе до прекратяване на гаранцията.

#### **ПОДДРЪЖКА**

- Преди почистване изключете продукта от електрическото захранване. Не използвайте никакви смазочни материали, почистващи препарати, полиращи средства или освежители за въздух върху която и да е част на устройството. Избърсвайте го само със суха кърпа.
- Никога не използвайте повредени кабели, когато свързвате устройството.
- Не се опитвайте да разглобявате кабела, тъй като това може да ви изложи на електрически удар.

#### **ПРАВНИ/ЕКОЛОГИЧНИ БЕЛЕЖКИ**

##### **ЕС ДЕКЛАРАЦИЯ ЗА СЪОТВЕТСТВИЕ**

С настоящото Tedee Sp. z o.o. декларира, че радиоустройството Tedee Dry

Contact TDCV1.0 е в съответствие с Директива 2014/53/ЕС. Пълният текст на ЕС декларацията за съответствие е достъпен на следния интернет адрес: <https://tedee.com/compliance>.

#### **WEEE / ROHS**

За да предотвратите потенциално отрицателно въздействие върху околната среда, консултирайте се с местните закони и разпоредби за правилното изхвърляне на електронни устройства и батерии във вашата страна. Изхвърляне на батерии - ако вашето устройство tedee съдържа батерии, не ги изхвърляйте с обикновените битови отпадъци. Предайте ги в съответния пункт за рециклиране или събиране. Батериите, използвани в устройствата tedee, не съдържат живак, кадмий или олово над нивата, посочени в Директива 2006/66/ЕО. Изхвърляне на електроника - не изхвърляйте вашето устройство tedee с обикновените битови отпадъци. Предайте го на съответния пункт за рециклиране или събиране.

#### **BLUETOOTH®**

Думата Bluetooth® и логата са собственост на Bluetooth SIG, Inc. и всяко използване на тези марки от Tedee Sp. z o.o. е по лиценз. Други търговски марки и търговски наименования са собственост на съответните им собственици.

Google, Android и Google Play са търговски марки на Google LLC.

Apple и App Store са търговски марки на Apple Inc. IOS е търговска марка или регистрирана търговска марка на Cisco в САЩ и други страни и се използва по лиценз.

tedee® е регистрирана търговска марка на Tedee Sp. z o.o. Copyright (C) 2022. Всички права запазени.

#### **ГАРАНЦИЯ**

Ограничена гаранция за хардуер на Tedee - Tedee Sp. z o.o. гарантира, че устройствата tedee нямат хардуерни дефекти в материалите и изработката

за период не по-малък от 2 години от датата на първата покупка на дребно. Tedee Sp. z o.o. не поема отговорност за неправилна употреба на устройствата (включително методи на зареждане, различни от описаните в тази брошура), особено ако потребителят е предприел промени или модификации на хардуера или софтуера на устройството, които не са одобрени, препоръчани или предоставени от tedee. Пълната информация за гаранцията е налична на следния линк: [www.tedee.com/warranty](http://www.tedee.com/warranty)

#### **EL | ΠΛΗΡΟΦΟΡΙΕΣ ΓΙΑ ΤΗΝ ΑΣΦΑΛΕΙΑ**

**ΠΡΟΕΙΔΟΠΟΙΗΣΗ:** Διαβάστε όλες τις οδηγίες ασφαλείας και τις προειδοποιήσεις. Η μη τήρηση των οδηγιών και των προειδοποιήσεων μπορεί να προκαλέσει ηλεκτροπληξία, πυρκαγιά ή/και σοβαρό τραυματισμό. Φυλάξτε αυτές τις οδηγίες για μελλοντική χρήση. Για να αποκτήσετε πρόσβαση στην πιο πρόσφατη και επικαιροποιημένη έκδοση αυτών των οδηγιών, επισκεφθείτε τη διεύθυνση: <https://tedee.com/>

#### **ΠΡΟΕΙΔΟΠΟΙΗΣΗ**

Συνδέστε τη συσκευή μόνο σύμφωνα με τις οδηγίες που παρέχονται στο παρόν εγχειρίδιο. Οι ακατάλληλες συνδέσεις μπορεί να προκαλέσουν πυρκαγιά ή ηλεκτροπληξία, να προκαλέσουν ζημιά στη συσκευή και να ακυρώσουν την εγγύηση του προϊόντος. Σε περίπτωση αμφιβολίας, επικοινωνήστε με έναν εξειδικευμένο ηλεκτρολόγο για υποστήριξη ή με τον κατασκευαστή.

#### **ΚΙΝΔΥΝΟΣ! ΚΙΝΔΥΝΟΣ ΗΛΕΚΤΡΟΠΛΗΞΙΑΣ!**

ΜΗΝ αγγίζετε τις εξόδους της εγκατάστασής σας χωρίς κατάλληλη μόνωση (π.χ. λαστιχένια γάντια). Ακόμα και όταν η συσκευή είναι απενεργοποιημένη, οι έξοδοι μπορεί να εξακολουθούν να βρίσκονται υπό τάση (μεταδίδουν ενεργά ηλεκτρικό ρεύμα). Όλες οι εργασίες εγκατάστασης θα πρέπει να εκτελούνται ΠΑΝΤΑ με αποσυνδεδεμένο το κύκλωμα ρεύματος.

ΠΟΤΕ μην συνδέετε τη συσκευή απευθείας σε ηλεκτρική πρίζα ή σε παροχή ρεύματος 230V/110V. Υψηλός κίνδυνος ηλεκτροπληξίας ή/και πυρκαγιάς.

#### **MHN**

- Μην ανοίγετε, τροποποιείτε ή αποσυναρμολογείτε τη συσκευή σας ή τα εξαρτήματά της.
- Μην κάνετε αυτοεξυπηρέτηση οποιουδήποτε μέρους της συσκευής. Εάν απαιτούνται επισκευές, επικοινωνήστε με την τεχνική υποστήριξη της tedee στο <https://tedee.com/>.
- Μην βυθίζετε τη συσκευή σε οποιοδήποτε υγρό ή νερό και μην την εκθέτετε σε υγρασία.
- Μην χρησιμοποιείτε τη συσκευή κοντά σε πηγές ακραίας θερμότητας (όπως καλοριφέρ ή καμινάδα), πηγές κρούου, ανοιχτή φωτιά ή άλλες ακραίες συνθήκες.
- Μην χρησιμοποιείτε τη συσκευή σε περιβάλλον με υψηλή υγρασία ή υψηλά επίπεδα σκόνης, καθώς και υψηλή ατμοσφαιρική ρύπανση. Χρησιμοποιείτε τη συσκευή μόνο σε εσωτερικούς χώρους.
- Μην εισάγετε μεταλλικά αντικείμενα στα ανοίγματα και τα διάκενα της συσκευής, εκτός από τα άκρα των καλωδίων που συνδέονται σύμφωνα με τις οδηγίες.
- Μην χειρίζεστε οποιοδήποτε μέρος της συσκευής ή των εξαρτημάτων της με βρεγμένα χέρια.
- Μην ασκείτε πίεση στα καλώδια κατά τη σύνδεση της συσκευής πέραν της προβλεπόμενης από τον κατασκευαστή για να αποφύγετε ζημιές ή παραμορφώσεις.
- Μην επιχειρήσετε να αφαιρέσετε με τη βία τα καλώδια από τις υποδοχές τους. Σε περίπτωση προβλήματος, επικοινωνήστε με την υποστήριξη της tedee.
- Μην αφαιρείτε τη μόνωση από τα καλώδια, εκτός από τα άκρα των καλωδίων που χρησιμοποιούνται στις υποδοχές της συσκευής.
- Μην εγκαταστήσετε τη συσκευή σε σημείο που να είναι προσβάσιμο από παιδιά ή ζώα, αν είναι δυνατόν. Εάν ένα ζώο ή ένα παιδί βλάψει την ακεραιότητα της συσκευής (για παράδειγμα, το περιβλήμα σπάσει),

σταματήστε να χρησιμοποιείτε τη συσκευή και επικοινωνήστε με την τεχνική υποστήριξη της tedee.

- Η συσκευή δεν πρέπει να χρησιμοποιείται από παιδιά κάτω των 13 ετών χωρίς την επίβλεψη ενηλίκου.
- Μην μοιράζεστε τα διαπιστευτήρια σύνδεσης της εφαρμογής Tedee και μην παρέχετε απομακρυσμένη πρόσβαση στις εγκαταστάσεις σας σε μη εξουσιοδοτημένα άτομα. Ο κατασκευαστής δεν ευθύνεται για ζημιές που προκαλούνται από τη χορήγηση πρόσβασης στις εγκαταστάσεις σε μη εξουσιοδοτημένο προσωπικό.

**ΠΡΟΕΙΔΟΠΟΙΗΣΗ:** Η ξηρή επαφή Tedee ενδέχεται να υποστεί τεχνική βλάβη, οπότε ενδέχεται να μην είναι σε θέση να ανοίξει την κλειδαριά της πόρτας σας. Έχετε πάντα μαζί σας το smartphone σας και το κλειδί της κλειδαριάς της πόρτας ή αφήστε το σε προσβάσιμο σημείο, ώστε να μπορείτε να ξεκλειδώσετε την πόρτα χειροκίνητα σε περίπτωση ενός τέτοιου σφάλματος της συσκευής.

#### **KANE**

- Ακολουθήστε πιστά το εγχειρίδιο εγκατάστασης και τις προφυλάξεις ασφαλείας. Σε περίπτωση αμφιβολίας, επικοινωνήστε με την τεχνική υποστήριξη της tedee.
- Εάν απαιτούνται επισκευές, επικοινωνήστε με την τεχνική υποστήριξη της tedee.
- Χρησιμοποιήστε μόνο την τάση τροφοδοσίας που καθορίζεται από την tedee. Σε αντίθετη περίπτωση μπορεί να προκληθεί βλάβη στη συσκευή, η οποία δεν καλύπτεται από την εγγύηση.

#### **ΆΛΛΕΣ ΠΛΗΡΟΦΟΡΙΕΣ**

- Η μη τήρηση των συστάσεων που περιλαμβάνονται σε αυτό το εγχειρίδιο μπορεί να είναι επικίνδυνη ή να προκαλέσει παραβίαση του νόμου. Ο κατασκευαστής δεν ευθύνεται για τυχόν απώλειες ή ζημιές που προκύπτουν από τη μη τήρηση αυτών των οδηγιών.
- Αυτή η συσκευή είναι ασφαλής για χρήση υπό κανονικές συνθήκες και υπό εύλογα προβλέψιμες συνθήκες κακής χρήσης. Εάν παρατηρήσετε

οποιαδήποτε σημάδια σφαλμάτων ή δυσλειτουργίας υλικού, επικοινωνήστε με την τεχνική υποστήριξη της tedee για βοήθεια. Σε μια τέτοια περίπτωση η συσκευή αυτή θα πρέπει να επιστραφεί στην tedee για τις απαραίτητες επισκευές σύμφωνα με τους όρους εγγύησης. Τυχόν αλλαγές ή τροποποιήσεις στο υλικό ή το λογισμικό της συσκευής που δεν είναι εγκεκριμένες, συνιστώμενες ή παρεχόμενες από την tedee ενδέχεται να ακυρώσουν την εγγύησή σας.

- Αυτή η συσκευή απαιτεί πηγή ρεύματος και σύνδεση Bluetooth(R) για τη σωστή λειτουργία. Για τη σύζευξη της συσκευής με τη γέφυρα tedee απαιτείται σύνδεση στο Internet για τη χρήση ορισμένων λειτουργιών της συσκευής. Ο κατασκευαστής δεν ευθύνεται για πιθανά προβλήματα πρόσβασης στο δωμάτιο που προκύπτουν από την έλλειψη πρόσβασης στο διαδίκτυο ή την αποτυχία ή εξάντληση της πηγής τροφοδοσίας.
- Αυτή η συσκευή δεν προορίζεται για χρήση ως μέρος ενός οικιακού συστήματος ασφαλείας. Ο κατασκευαστής δεν δηλώνει αντιδιαρρηκτικές ιδιότητες ή βεβαιώσεις, πιστοποιητικά ή κλάσεις αντιδιαρρηκτικής προστασίας για τη συσκευή. Ο κατασκευαστής δεν ευθύνεται για τυχόν ζημιές/τραυματισμούς που μπορεί να προκληθούν λόγω κλοπής, διάρρηξης ή εισβολής που προκύπτουν από βλάβη, υπέρβαση ή μη εξουσιοδοτημένη απόκτηση ελέγχου της συσκευής.
- Αυτή η συσκευή ενδέχεται να απαιτεί την αγορά πρόσθετων προϊόντων για να ενεργοποιηθούν ορισμένες από τις λειτουργίες της. Εάν έχετε αμφιβολίες, επικοινωνήστε με την υποστήριξη της tedee.
- Η σύνδεση της συσκευής σε τροφοδοτικό που δεν πληροί τις προδιαγραφές που περιγράφονται στα πρότυπα EN 50081-1, EN 50082-1, UL508 και EN 60950 μπορεί να ακυρώσει την εγγύηση.

#### **ΣΥΝΤΗΡΗΣΗ**

- Αποσυνδέστε το προϊόν από την παροχή ρεύματος πριν από τον καθαρισμό. Μην χρησιμοποιείτε λιπαντικά, καθαριστικά, γυαλιστικά ή αλοσημειωτικά χώρου σε κανένα μέρος της συσκευής. Σκουπίστε την μόνο με ένα στεγνό πανί.
- Ποτέ μην χρησιμοποιείτε κατεστραμμένα καλώδια κατά τη σύνδεση της

συσκευής.

- Μην επιχειρήσετε να αποσυναρμολογήσετε το καλώδιο, καθώς ενδέχεται να υποστείτε ηλεκτροπληξία.

#### **ΝΟΜΙΚΕΣ/ΠΕΡΙΒΑΛΛΟΝΤΙΚΕΣ ΣΗΜΕΙΩΣΕΙΣ**

##### **ΔΗΛΩΣΗ ΣΥΜΜΟΡΦΩΣΗΣ ΕΕ**

Η Tedee Sp. z o.o. δηλώνει ότι η ραδιοσυσκευή Tedee Dry Contact TDCV1.0 είναι σύμφωνη με την οδηγία 2014/53/ΕΕ. Το πλήρες κείμενο της δήλωσης συμμόρφωσης ΕΕ είναι διαθέσιμο στην ακόλουθη διεύθυνση στο διαδίκτυο: <https://tedee.com/compliance>.

##### **WEEE / ROHS**

Για να αποφύγετε πιθανές αρνητικές επιπτώσεις στο περιβάλλον, συμβουλευτείτε τους τοπικούς νόμους και κανονισμούς για την ορθή απόρριψη των ηλεκτρονικών συσκευών και των μπαταριών στη χώρα σας. Απόρριψη μπαταριών - εάν η συσκευή tedee περιέχει μπαταρίες, μην τις απορρίψετε μαζί με τα συνηθισμένα οικιακά απορρίμματα. Παραδώστε τις στο κατάλληλο σημείο ανακύκλωσης ή συλλογής. Οι μπαταρίες που χρησιμοποιούνται στις συσκευές tedee δεν περιέχουν υδράργυρο, κάδμιο ή μόλυβδο πάνω από τα επίπεδα που καθορίζονται στην οδηγία 2006/66/ΕΚ. Απόρριψη ηλεκτρονικών συσκευών - μην απορρίψετε τη συσκευή tedee μαζί με τα συνηθισμένα οικιακά απορρίμματα. Παραδώστε την στο κατάλληλο σημείο ανακύκλωσης ή συλλογής.

##### **BLUETOOTH®**

Το λεκτικό σήμα και τα λογότυπα Bluetooth® ανήκουν στην Bluetooth SIG, Inc. και οποιαδήποτε χρήση των εν λόγω σημάτων από την Tedee Sp. z o.o. γίνεται με άδεια χρήσης. Άλλα εμπορικά σήματα και εμπορικές ονομασίες είναι των αντίστοιχων κατόχων τους.

Τα Google, Android και Google Play είναι εμπορικά σήματα της Google LLC.

Η Apple και το App Store είναι εμπορικά σήματα της Apple Inc. Το IOS είναι εμπορικό

σήμα ή σήμα κατατεθέν της Cisco στις ΗΠΑ και σε άλλες χώρες και χρησιμοποιείται με άδεια χρήσης.

To tedee® είναι σήμα κατατεθέν της Tedee Sp. z o. o. Copyright (C) 2022. Όλα τα δικαιώματα διατηρούνται.

## ΕΓΓΥΗΣΗ

Περιορισμένη εγγύηση υλικού Tedee - Η Tedee Sp. z o.o. εγγυάται ότι οι συσκευές Tedee είναι απαλλαγμένες από ελαττώματα υλικού υλικού και κατασκευής για περίοδο τουλάχιστον 2 ετών από την ημερομηνία της πρώτης αγοράς λιανικής. Η Tedee Sp. z o.o. δεν αναλαμβάνει καμία ευθύνη για την κακή χρήση των συσκευών (συμπεριλαμβανομένων μεθόδων φόρτισης διαφορετικών από αυτές που περιγράφονται στο παρόν φυλλάδιο), ιδίως εάν ο χρήστης έχει προβεί σε αλλαγές ή τροποποιήσεις στο υλικό ή το λογισμικό της συσκευής, οι οποίες δεν είναι εγκεκριμένες, συνιστώμενες ή παρεχόμενες από την tedee. Πλήρεις πληροφορίες για την εγγύηση είναι διαθέσιμες στον ακόλουθο σύνδεσμο: [www.tedee.com/warranty](http://www.tedee.com/warranty)

## HR | SIGURNOSNE INFORMACIJE

UPOZORENJE: Pročitajte sve sigurnosne smjernice i upozorenja. Nepoštivanje smjernica i upozorenja može dovesti do strujnog udara, ozljede i/ili ozbiljne ozljede. Sačuvajte ove upute za buduću uporabu.

Za pristup najnovijoj, najažurnijoj verziji ovih uputa posjetite: <https://tedee.com/>

## UPOZORENJE

Spojite uređaj samo prema uputama iz ovog priručnika. Neispravno spajanje može uzrokovati požar ili električni udar, oštetiti uređaj i poništiti jamstvo proizvođača. Ako ste u nedoumici, obratite se kvalificiranom električaru za podršku ili proizvođaču.

## OPASNOST! OPASNOST OD STRUJNOG UDARA!

NE dirajte izlaze svoje instalacije bez odgovarajuće izolacije (tj. gumenih rukavica).

Čak i kada je uređaj isključen, izlazi mogu biti pod naponom (aktivno odašilju električnu energiju). Sve instalacijske radove UVIJEK treba izvoditi s isključenim strujnim krugom.

NIKADA ne uključujte uređaj izravno u električnu utičnicu ili izvor napajanja od 230V/110V. Visok rizik od strujnog udara i/ili požara.

## NEMOJ

- Nemojte otvarati, modificirati ili rastavlјati svoj uređaj ili njegovu dodatnu opremu.
- Ne samoposlužujte niti jedan dio uređaja. Ako su potrebni popravci, obratite se tehničkoj podršci tvrtke Tedee na <https://tedee.com/>
- Nemojte uranjati uređaj u bilo kakvu tekućinu, vodu ili ga izlagati vlazi.
- Nemojte koristiti uređaj u blizini izvora ekstremne topline (kao što je radiјator ili dimnjak), izvora hladnoće, otvorene vatre ili drugih ekstremnih uvjeta.
- Nemojte koristiti uređaj u okruženju visoke vlažnosti ili prašine, kao ni u visokom zagađenju zraka. Koristite uređaj samo u zatvorenom prostoru.
- Nemojte stavljati nikakve metalne predmete u otvore i otvore uređaja, osim na kraјeve kabela spoјene prema uputama.
- Nemojte rukovati bilo kojim dijelom uređaja ili njegovim dodacima mokrim rukama.
- Nemojte primjenјivati pritisak na kabele tijekom spajanja uređaja iznad onoga što je naveo proizvođač kako biste spriječili oštećenje ili deformaciju.
- Ne pokušavajte na silu izvaditi kabele iz njihovih utičnica. U slučaju problema, kontaktirajte podršku za Tedee .
- Nemojte uklanjati izolaciju s kabela osim na kraјevima kabela koji se koriste u utičnicama uređaja.
- Nemojte instalirati uređaj u dohvāt dјece ili životinja, ako je moguće. Ako životinja ili dјijete ošteti cjelovitost uređaja (primјerice, pukne kućište), prestanite koristiti uređaj i obratite se tehničkoj podršci tedee .
- Uređaj ne smiju koristiti dјeca mlađa od 13 godina bez nadzora odrasle osobe.
- Ne dijelite svoje vјerodajnice za priјavu u aplikaciju Tedee niti neovlaštenim osobama odobravajte dalјinski pristup svojim prostorijama. Proizvođač

ne snosi odgovornost za štetu nastalu dopuštanjem pristupa prostorima neovlaštenom osoblju.

**UPOZORENJE:** Tedee suhi kontakt može imati tehnički kvar, pa možda neće moći otvoriti bravu na vašim vratima. Pametni telefon i ključ od brave uvijek nosite sa sobom ili ga ostavite na dostupnom mjestu kako bi se vrata mogla ručno otključati u slučaju takve greške uređaja.

## ČINI

- Pažljivo slijedite upute za postavljanje i sigurnosne mjere. Ako ste u nedoumici, obratite se tehničkoj podršci tedee .
- Ako su potrebni popravci, obratite se tehničkoj podršci tvrtke Tedee .
- Koristite samo napon napajanja koji je naveo tedee . Kvar može uzrokovati oštećenje uređaja, što nije pokriveno jamstvom.

## DRUGE PODATKE

- Nepridržavanje preporuka sadržanih u ovom priručniku može biti opasno ili uzrokovati kršenje zakona. Proizvođač nije odgovoran za bilo kakav gubitak ili štetu nastalu nepridržavanjem ovih uputa.
- Ovaj je uređaj siguran za korištenje pod normalnim i razumno predvidivim operativnim kodeksom ponašanja. Ako primijetite bilo kakve znakove greške ili neispravnosti hardvera, obratite se tehničkoj podršci tedee za pomoć. U tom slučaju ovaj uređaj treba vratiti tedeeju na potrebne popravke pod uvjetima jamstva. Sve promjene ili modifikacije hardvera ili softvera uređaja koje nije odobrio, preporučio ili dostavio tedee mogu poništiti vaše jamstvo.
- Ovaj uređaj zahtijeva izvor napajanja i Bluetooth(R) vezu za pravilan rad. Za uparivanje uređaja s tedee bridge-om potrebna je internetska veza za korištenje nekih značajki uređaja. Proizvođač nije odgovoran za moguće probleme s pristupom prostoriji koji proizlaze iz nedostatka pristupa internetu ili kvara ili iscrpljenosti izvora napajanja.
- Ovaj uređaj nije namijenjen za korištenje kao dio kućnog sigurnosnog sustava. Proizvođač ne deklarira nikakva protuprovalna svojstva niti ateste, certifikate ili klase protuprovalne zaštite za uređaj. Proizvođač ne snosi odgovornost

za bilo kakvu moguću štetu/ozljeđu nastalu krađom, provalom ili upadom koji proizlazi iz oštećenja, svladavanja ili neovlaštenog preuzimanja kontrole nad uređajem.

- Ovaj uređaj može zahtijevati kupnju dodatnih proizvoda kako bi se omogućile neke njegove značajke. Ako ste u nedoumici, obratite se podršci za Tedee .
- Spajanje uređaja na napajanje koje ne zadovoljava specifikacije navedene u normama EN 50081-1, EN 50082-1, UL 508 i EN 60950 može poništiti jamstvo.

## ODRŽAVANJE

- Isključite proizvod iz napajanja prije čišćenja. Nemojte koristiti maziva, sredstva za čišćenje, sredstva za poliranje ili osvježivače zraka na bilo kojem dijelu uređaja. Obrišite ga samo suhom krpom.
- Nikada nemojte koristiti oštećene kabele kada spajate uređaj.
- Ne pokušavajte rastaviti kabel jer vas to može izložiti strujnom udaru.

## PRAVNE / EKOLOŠKE NAPOMENE

### EU IZJAVA O SUKLADNOSTI

Tedee Sp. z oo ovime izjavljuje da Tedee Dry Contact TDCV1. 0 radio uređaj je u skladu s Direktivom 2014/53/EU. Potpuni tekst EU Izjave o sukladnosti dostupan je na sljedećoj internet adresi: <https://tedee.com/compliance>.

### WEEE / ROHS

Kako biste spriječili mogući negativni utjecaj na okoliš, konzultirajte svoje lokalne zakone i propise za pravilno odlaganje elektroničkih uređaja i baterija u vašoj zemlji. Odlaganje baterija – ako vaš tedee uređaj sadrži baterije, nemojte ih odlagati s običnim kućnim otpadom. Predajte ih na odgovarajuće mjesto za recikliranje ili prikupljanje. Baterije koje se koriste u tedee uređajima ne sadrže živu, kadmij ili olovo iznad razina navedenih u Direktivi 2006/66/EC. Zbrinjavanje elektronike - nemojte odlagati svoj tedee uređaj s običnim kućnim otpadom. Predajte ga na odgovarajuće mjesto za recikliranje ili prikupljanje.



## **BLUETOOTH®**

Riječni znak i logotipi Bluetooth® u vlasništvu su Bluetooth SIG, Inc. i svako korištenje takvih znakova od strane Tedee Sp. z oo je pod licencom. Ostali zaštitni znakovi i trgovački nazivi pripadaju njihovim vlasnicima.

Google, Android i Google Play zaštitni su znakovi tvrtke Google LLC.

Apple i App Store zaštitni su znakovi tvrtke Apple Inc. IOS je zaštitni znak ili registrirani zaštitni znak tvrtke Cisco u SAD-u i drugim zemljama i koristi se pod licencom.

tedee ® je registrirani zaštitni znak tvrtke Tedee Sp. z oo Autorsko pravo (C) 2022. Sva prava pridržana.

## **JAMSTVO**

Tedee ograničeno jamstvo za hardver - Tedee Sp. z oo jamči da uređaji tedee nemaju hardverskih nedostataka u materijalu i izradi u razdoblju od najmanje 2 godine od datuma prve kupnje u maloprodaji. Tedee Sp. z oo ne preuzima odgovornost za zlouporabu uređaja (uključujući metode punjenja koje nisu opisane u ovoj knjižici), osobito ako su izvršene bilo kakve promjene ili modifikacije hardvera ili softvera uređaja koje nije odobrio, preporučio ili dostavio tedee . poduzima korisnik. Sve informacije o jamstvu dostupne su na sljedećoj poveznici: [www.tedee.com/warranty](http://www.tedee.com/warranty)

## **HU | BIZTONSÁGI INFORMÁCIÓK**

**FIGYELMEZTETÉS:** Olvassa el az összes biztonsági útmutatót és figyelmeztetést. Az irányelvek és figyelmeztetések figyelmen kívül hagyása áramütést, ire, és/vagy súlyos sérülést okozhat. Órizza meg ezeket az utasításokat a későbbi használatra. Ezen utasítások legújabb, legfrissebb változatának eléréséhez látogasson el a következő weboldalra: <https://tedee.com/>

## **FIGYELMEZTETÉS**

A készüléket csak a jelen kézikönyvben található utasításoknak megfelelően

csatlakoztassa. A nem megfelelő csatlakoztatás tüzet vagy áramütést okozhat, károsíthatja a készüléket, és érvénytelenítheti a termékgaranciát. Kétség esetén forduljon szakképzett villanyszerelőhöz vagy a gyártóhoz.

## **VESZÉLY! ÁRAMÜTÉS VESZÉLYE!**

NE nyúljon a berendezés kimeneteihez megfelelő szigetelés (pl. gumikesztyű) nélkül. Még kikapcsolt állapotban is előfordulhat, hogy a kimenetek feszültség alatt állnak (aktívan továbbítják az áramot). Minden szerelési munkát MINDIG a tápáramkör leválasztásával kell végezni.

SOHA ne csatlakoztassa a készüléket közvetlenül konnektorba vagy 230V/110V-os tápegységbe. Nagy az áramütés és/vagy tűzveszély.

## **NE**

- Ne nyissa ki, ne módosítsa vagy szerelje szét a készüléket vagy annak tartozékait.
- Ne végezzen önkiszolgálást a készülék bármely részén. Ha javításra van szükség, forduljon a tedee műszaki ügyfélszolgálatához a <https://tedee.com/> címen.
- Ne merítse a készüléket semmilyen folyadékba, vízbe, és ne tegye ki nedvességnek.
- Ne használja a készüléket extrém hőforrás (például radiátor vagy kémény), hidegforrás, nyílt tűz vagy más extrém körülmények közelében.
- Ne használja a készüléket olyan környezetben, ahol magas a páratartalom vagy a porszint, valamint a levegő szennyezettsége. A készüléket csak beltérben használja.
- A készülék nyílásaiba és hézagaiba ne helyezzen be fémtárgyakat, kivéve az utasításoknak megfelelően csatlakoztatott kábelvégeket.
- Ne kezelje a készülék vagy tartozékai bármely részét nedves kézzel.
- A készülék csatlakoztatása során ne gyakoroljon a gyártó által előírtnál nagyobb nyomást a kábelekre, hogy elkerülje a sérülést vagy deformációt.
- Ne próbálja meg erőszakkal kivenni a kábeleket a foglalatukból. Probléma

esetén forduljon a tedee ügyfélszolgálatához.

- Ne távolítsa el a szigetelést a kábelekről, kivéve a készülék aljzataiban használt kábelvégeket.
- A készüléket lehetőleg ne telepítse gyermekek vagy állatok számára elérhető közelségbe. Ha egy állat vagy gyermek károsítja a készülék épségét (például a ház eltörik), hagyja abba a készülék használatát, és forduljon a tedee műszaki ügyfélszolgálatához.
- A készüléket 13 év alatti gyermekek felnőtt felügyelete nélkül nem használhatják.
- Ne ossza meg a Tedee alkalmazás bejelentkezési adatait, és ne adjon távoli hozzáférést a telephelyéhez illetéktelen személyeknek. A gyártó nem vállal felelősséget a helyiségekhez való jogosulatlan hozzáférés engedélyezése által okozott károkért.

**FIGYELMEZTETÉS:** A Tedee szárazon érintkező műszaki hibát szenvedhet, így előfordulhat, hogy nem tudja kinyitni az ajtózárat. Mindig vigye magával az okostelefonját és az ajtózár kulcsát, vagy hagyja azt egy hozzáférhető helyen, hogy ilyen készülékhiba esetén az ajtó kézzel is kinyitható legyen.

## **DO**

- Kövesse szorosan a telepítési útmutatót és a biztonsági óvintézkedéseket. Kétség esetén forduljon a tedee műszaki ügyfélszolgálatához.
- Ha javításra van szükség, kérjük, forduljon a tedee műszaki ügyfélszolgálatához.
- Csak a tedee által megadott tápfeszültséget használja. Ennek elmulasztása a készülék károsodását okozhatja, amelyre a garancia nem terjed ki.

## **EGYÉB INFORMÁCIÓK**

- Az ebben a kézikönyvben szereplő ajánlások be nem tartása veszélyes lehet, vagy törvénysértést okozhat. A gyártó nem vállal felelősséget az ezen utasítások be nem tartásából eredő veszteségekért vagy károkért.
- Ez a készülék normál és ésszerűen előrelátható visszaélések esetén biztonságosan használható. Ha hiba vagy hardverhiba jeleit észleli,

forduljon a tedee műszaki szupportjához segítségért. Ebben az esetben ezt a készüléket a garanciális feltételek mellett vissza kell küldeni a tedee-nek a szükséges javítások elvégzésére. A készülék hardverén vagy szoftverén végzett, a tedee által nem jóváhagyott, nem ajánlott vagy nem a tedee által biztosított bármilyen változtatás vagy módosítás a garancia érvényét veszítheti.

- A készülék megfelelő működéséhez áramforrás és Bluetooth(R)-kapcsolat szükséges. A készülék és a tedee bridge párosításához internetkapcsolat szükséges a készülék egyes funkcióinak használatához. A gyártó nem vállal felelősséget az internet-hozzáférés hiánya, illetve az áramforrás meghibásodása vagy kimerülése miatt esetlegesen fellépő szobakapcsolati problémákért.
- Ez a készülék nem otthoni biztonsági rendszer részeként való használatra készült. A gyártó nem nyilatkozik a készülék betörésgátló tulajdonságairól, illetve a készülék betörésgátló tulajdonságainak igazolásáról, tanúsítványairól vagy osztályairól. A gyártó nem vállal felelősséget a lopás, betörés vagy behatolás miatt elszenvedett esetleges károkért/sérülésekért, amelyek a készülék megromlásából, leküzdéséből vagy illetéktelen irányítás megszerzéséből erednek.
- A készülék egyes funkcióinak használatához további termékek vásárlására lehet szükség. Ha kétségei vannak, kérjük, forduljon a tedee ügyfélszolgálatához.
- Ha a készüléket olyan tápegységhez csatlakoztatja, amely nem felel meg az EN 50081-1, EN 50082-1, UL508 és EN 60950 szabványokban meghatározott előírásoknak, a garancia érvényét vesztheti.

## **KARBANTARTÁS**

- Tisztítás előtt válassza le a terméket a tápegységről. Ne használjon semmilyen kenőanyagot, tisztítószert, polírozószert vagy légfrissítőt a készülék bármely részén. Csak száraz ruhával törölje át.
- Soha ne használjon sérült kábelt a készülék csatlakoztatásakor.
- Ne próbálja meg szétszerelni a kábelt, mivel ez áramütésnek teheti ki Önt.

## **JOGI / KÖRNYEZETVÉDELMI MEGJEGYZÉSEK**

### **EU-MEGFELELŐSÉGI NYILATKOZAT**

A Tedee Sp. z o.o. kijelenti, hogy a Tedee Dry Contact TDCV1.0 rádiós készülék megfelel a 2014/53/EU irányelvnek. Az EU-megfelelőségi nyilatkozat teljes szövege a következő internetes címen érhető el: <https://tedee.com/compliance>.

### **WEEE / ROHS**

A környezetre gyakorolt esetleges negatív hatások megelőzése érdekében tájékozódjon a helyi törvényekről és előírásokról az elektronikus eszközök és akkumulátorok megfelelő ártalmatlanításáról az Ön országában. Elemek ártalmatlanítása - ha a tedee készülék elemeket tartalmaz, ne a szokásos háztartási hulladékkal együtt dobja ki azokat. Adja le őket a megfelelő újrahasznosító vagy gyűjtőhelyen. A tedee készülékekben használt akkumulátorok nem tartalmaznak higanyt, kadmiumot vagy ólmot a 2006/66/EK irányelvben meghatározott szintek felett. Elektronikai eszközök ártalmatlanítása - ne dobja el a tedee készüléket a szokásos háztartási hulladékkal együtt. Adja le a megfelelő újrahasznosító vagy gyűjtőhelyen.

### **BLUETOOTH®**

A Bluetooth® szóvédjegy és a logó a Bluetooth SIG, Inc. tulajdonát képezik, és a Tedee Sp. z o.o. által történő felhasználásuk licenc alapján történik. Egyéb védjegyek és kereskedelmi nevek a megfelelő tulajdonosok tulajdonát képezik.

A Google, az Android és a Google Play a Google LLC védjegyei.

Az Apple és az App Store az Apple Inc. védjegyei. Az IOS a Cisco védjegye vagy bejegyzett védjegye az Egyesült Államokban és más országokban, és a Cisco licenc alapján használja. tedee® a Tedee Sp. z o. o. bejegyzett védjegye. Copyright (C) 2022. Minden jog fenntartva.

## **GARANCIA**

Tedee korlátozott hardvergarancia - A Tedee Sp. z o.o. garantálja, hogy a tedee készülékek az első kiskereskedelmi vásárlástól számított legalább 2 éves időtartamra mentesek a hardver anyag- és kivitelezési hibáitól. A Tedee Sp. z o.o. nem vállal felelősséget a készülékek helytelen használatáért (beleértve a töltésnek a jelen füzetben leírtaktól eltérő módszereit), különösen, ha a felhasználó a készülék hardverén vagy szoftverén olyan változtatásokat vagy módosításokat hajtott végre, amelyeket nem a tedee hagyott jóvá, ajánlott vagy biztosított. A teljes körű garanciális információ a következő linken érhető el: [www.tedee.com/warranty](http://www.tedee.com/warranty).

## **UA | ІНФОРМАЦІЯ ПРО БЕЗПЕКУ**

**ПОПЕРЕДЖЕННЯ:** Прочитайте всі вказівки та попередження з техніки безпеки. Недотримання вказівок і попереджень може призвести до ураження електричним струмом, пожежі та/або серйозних травм. Зберігайте ці інструкції для подальшого використання.

Щоб отримати доступ до останньої, найновішої версії цих інструкцій, відвідайте: <https://tedee.com/>

### **ПОПЕРЕДЖЕННЯ**

Підключайте пристрій лише відповідно до інструкцій, наведених у цьому посібнику. Неправильне підключення може призвести до пожежі або ураження електричним струмом, пошкодження пристрою та анулювання гарантії на виріб. У разі виникнення сумнівів зверніться до кваліфікованого електрика або до виробника.

### **НЕБЕЗПЕКА! НЕБЕЗПЕКА УРАЖЕННЯ ЕЛЕКТРИЧНИМ СТРУМОМ!**

НЕ торкайтеся виходів вашої установки без належної ізоляції (наприклад, гумових рукавичок). Навіть коли пристрій вимкнено, виходи можуть залишатися під напругою (активно передавати електроенергію). Усі монтажні роботи ЗАВЖДИ слід виконувати при відключеному ланцюзі живлення.

НІКОЛИ не підключайте пристрій безпосередньо до електричної розетки або джерела живлення 230В/110В. Високий ризик ураження електричним струмом та/або пожежі.

#### **НЕ РОБІТЬ**

- Не відкривайте, не модифікуйте та не розбирайте пристрій або його аксесуари.
- Не займайтеся самообслуговуванням будь-якої частини пристрою. Якщо потрібен ремонт, зверніться до служби технічної підтримки tedee за адресою <https://tedee.com/>
- Не занурюйте пристрій у рідину, воду та не піддавайте його впливу вологи.
- Не використовуйте пристрій поблизу джерел надмірного тепла (наприклад, радіатора або димоходу), джерел холоду, відкритого вогню або в інших екстремальних умовах.
- Не використовуйте пристрій в умовах підвищеної вологості або запиленості, а також високого рівня забруднення повітря. Використовуйте пристрій лише в приміщенні.
- Не вставляйте металеві предмети в отвори та зазори пристрою, за винятком кінців кабелів, підключених відповідно до інструкцій.
- Не торкайтеся будь-яких частин пристрою або його аксесуарів мокрими руками.
- Під час підключення пристрою не чиніть на кабелі тиск, що перевищує рекомендований виробником, щоб запобігти їх пошкодженню або деформації.
- Не намагайтеся силоміць витягувати кабелі з гнізд. У разі виникнення проблем зверніться до служби підтримки tedee.
- Не знімайте ізоляцію з кабелів, за винятком кінців кабелів, що підключаються до розеток пристрою.
- По можливості не встановлюйте пристрій у місцях, недоступних для дітей або тварин. Якщо тварина або дитина пошкодить цілісність пристрою (наприклад, розірве корпус), припиніть використання

пристрою і зверніться до служби технічної підтримки tedee.

- Пристрій не повинен використовуватися дітьми віком до 13 років без нагляду дорослих.
- Не передавайте свої облікові дані для входу в додаток Tedee і не надавайте віддалений доступ до вашого приміщення стороннім особам. Виробник не несе відповідальності за пошкодження, спричинені наданням доступу до приміщення стороннім особам.

**ПОПЕРЕДЖЕННЯ:** Tedee dry contact може мати технічні несправності, тому він не зможе відкрити ваш дверний замок. Завжди носіть з собою смартфон і ключ від дверного замка або залишайте його в доступному місці, щоб у разі такої помилки пристрою можна було відчинити двері вручну.

#### **РОБИТИ**

- Уважно дотримуйтесь інструкції з монтажу та заходів безпеки. Якщо у вас виникли сумніви, зверніться до служби технічної підтримки tedee.
- Якщо потрібен ремонт, зверніться до служби технічної підтримки tedee.
- Використовуйте лише напругу живлення, зазначену tedee. Порухення може призвести до пошкодження пристрою, на яке не поширюється гарантія.

#### **ІНША ІНФОРМАЦІЯ**

- Недотримання рекомендацій, наведених у цьому посібнику, може бути небезпечним або призвести до порушення закону. Виробник не несе відповідальності за будь-які збитки або пошкодження, спричинені недотриманням цих інструкцій.
- Цей пристрій безпечний у використанні при дотриманні правил експлуатації, які можна обґрунтовано передбачити, якщо він не буде використовуватися не за призначенням. Якщо ви помітили будь-які ознаки помилок або несправності обладнання, зверніться за допомогою до технічної підтримки tedee. У такому випадку цей пристрій слід повернути до tedee для необхідного ремонту відповідно до гарантійних умов. Будь-які зміни або модифікації апаратного чи

програмного забезпечення пристрою, не схвалені, не рекомендовані або не надані tedee, можуть призвести до анулювання вашої гарантії.

- Для правильної роботи цього пристрою потрібне джерело живлення та з'єднання Bluetooth(R). Для того, щоб з'єднати пристрій з tedee bridge і використовувати деякі функції пристрою, потрібне підключення до Інтернету. Виробник не несе відповідальності за потенційні проблеми з доступом до приміщення через відсутність доступу до Інтернету, несправність або виснаження джерела живлення.
- Цей пристрій не призначений для використання як частина домашньої системи безпеки. Виробник не заявляє про будь-які протизламні властивості або атестації, сертифікати або класи протизламного захисту пристрою. Виробник не несе відповідальності за будь-які потенційні збитки/травми, отримані внаслідок крадіжки, злому або вторгнення в результаті пошкодження, подолання або несанкціонованого отримання контролю над пристроєм.
- Для використання деяких функцій цього пристрою може знадобитися придбання додаткових продуктів. Якщо у вас виникли сумніви, зверніться до служби підтримки tedee.
- Підключення пристрою до джерела живлення, яке не відповідає вимогам стандартів EN 50081-1, EN 50082-1, UL508 та EN 60950, може призвести до анулювання гарантії.

#### **ОБСЛУГОВУВАННЯ**

- Перед чищенням від'єднайте пристрій від джерела живлення. Не використовуйте мастила, миючі засоби, поліролі або освіжувачі повітря на будь-яких частинах пристрою. Протирайте його лише сухою ганчіркою.
- Ніколи не використовуйте пошкоджені кабелі для підключення пристрою.
- Не намагайтеся розбирати кабель, оскільки це може призвести до ураження електричним струмом.

#### **ЮРИДИЧНІ / ЕКОЛОГІЧНІ ПРИМІТКИ ДЕКЛАРАЦІЯ ВІДПОВІДНОСТІ ЄС**

Компанія Tedee Sp. z o.o. заявляє, що радіопристрій Tedee Dry Contact TDCV1.0 відповідає вимогам Директиви 2014/53/ЄС. Повний текст Декларації відповідності ЄС доступний за наступною інтернет-адресою: <https://tedee.com/compliance>.

#### **WEEE / ROHS**

Щоб запобігти потенційному негативному впливу на навколишнє середовище, ознайомтеся з місцевими законами та правилами щодо належної утилізації електронних пристроїв та батарейок у вашій країні. Утилізація батарейок - якщо ваш пристрій tedee містить батарейки, не викидайте їх разом зі звичайними побутовими відходами. Передайте їх у відповідний пункт переробки або збору. Батареї, що використовуються в пристроях tedee, не містять ртуті, кадмію або свинцю вище рівнів, зазначених у Директиві 2006/66/ЄС. Утилізація електроніки - не викидайте пристрій tedee разом зі звичайними побутовими відходами. Віддайте його у відповідний пункт переробки або збору.

#### **BLUETOOTH**

Словесний знак і логотипи Bluetooth® належать Bluetooth SIG, Inc. і будь-яке використання цих знаків компанією Tedee Sp. z o.o. здійснюється за ліцензією. Інші торгові марки та торгові назви належать відповідним власникам.

Google, Android та Google Play є товарними знаками компанії Google LLC.

Apple та App Store є торговельними марками Apple Inc. IOS є торговою маркою або зареєстрованою торговою маркою компанії Cisco в США та інших країнах і використовується за ліцензією.

tedee® є зареєстрованою торговою маркою Tedee Sp. z o. o. Copyright (C) 2022. Всі права захищені.

## ГАРАНТІЯ

Обмежена гарантія на обладнання - Tedee Sp. z o.o. гарантує, що пристрої tedee не мають апаратних дефектів у матеріалах та якості виготовлення протягом щонайменше 2 років з дати першої роздрібної покупки. Tedee Sp. z o.o. не несе відповідальності за неправильне використання пристроїв (включаючи способи зарядки, відмінні від описаних у цій брошурі), особливо якщо користувач вніс будь-які зміни або модифікації в апаратне або програмне забезпечення пристрою, які не були схвалені, рекомендовані або надані компанією tedee. Повна інформація про гарантію доступна за наступним посиланням: [www.tedee.com/warranty](http://www.tedee.com/warranty)

## RU | ИНФОРМАЦИЯ ПО БЕЗОПАСНОСТИ

**ВНИМАНИЕ:** Прочтите все указания и предупреждения по технике безопасности. Несоблюдение указаний и предупреждений может привести к поражению электрическим током, пожару и/или серьезным травмам. Сохраните эти инструкции для дальнейшего использования. Чтобы получить доступ к последней, самой актуальной версии этих инструкций, посетите сайт: <https://tedee.com/>

## ВНИМАНИЕ

Подключайте устройство только в соответствии с инструкциями, приведенными в данном руководстве. Неправильное подключение может привести к возгоранию или поражению электрическим током, повреждению устройства и аннулированию гарантии на изделие. В случае сомнений обратитесь за поддержкой к квалифицированному электрику или к производителю.

## ОПАСНОСТЬ! ОПАСНОСТЬ ПОРАЖЕНИЯ ЭЛЕКТРИЧЕСКИМ ТОКОМ!

НЕ прикасайтесь к выходам вашей установки без надлежащей изоляции (например, в резиновых перчатках). Даже если устройство выключено,

выходы могут оставаться под напряжением (активно передавать электричество). Все работы по установке ВСЕГДА должны выполняться при отключенной цепи питания.

НИКОГДА не подключайте устройство непосредственно к электрической розетке или источнику питания 230В/110В. Высокий риск поражения электрическим током и/или возгорания.

## НЕ

- Не открывайте, не модифицируйте и не разбирайте устройство или его аксессуары.
- Не занимайтесь самостоятельным обслуживанием каких-либо частей устройства. Если требуется ремонт, обратитесь в службу технической поддержки tedee по адресу <https://tedee.com/>.
- Не погружайте устройство в жидкость, воду и не подвергайте его воздействию влаги.
- Не используйте устройство вблизи источника тепла (например, радиатора или дымохода), источника холода, открытого огня или в других экстремальных условиях.
- Не используйте устройство в условиях повышенной влажности и запыленности, а также сильной загрязненности воздуха. Используйте устройство только в помещении.
- Не вставляйте металлические предметы в отверстия и зазоры устройства, за исключением концов кабелей, подключенных в соответствии с инструкциями.
- Не прикасайтесь к любой части устройства или его аксессуарам мокрыми руками.
- Во избежание повреждения или деформации не оказывайте на кабели при подключении устройства давление, превышающее указанное производителем.
- Не пытайтесь с силой вынимать кабели из гнезд. В случае возникновения проблем обратитесь в службу поддержки tedee.
- Не снимайте изоляцию с кабелей, за исключением концов кабелей,

используемых в гнездах устройства.

- По возможности не устанавливайте устройство в пределах досягаемости детей или животных. Если животное или ребенок повредит целостность устройства (например, сломается корпус), прекратите использование устройства и обратитесь в службу технической поддержки tedeo.
- Прибор не должен использоваться детьми младше 13 лет без присмотра взрослых.
- Не сообщайте учетные данные для входа в приложение Tedeo и не предоставляйте удаленный доступ к помещениям посторонним лицам. Производитель не несет ответственности за ущерб, причиненный в результате предоставления доступа в помещение посторонним лицам.

**ПРЕДУПРЕЖДЕНИЕ:** Сухой контакт Tedeo может быть подвержен техническим сбоям, поэтому он может не открыть ваш дверной замок. Всегда носите с собой смартфон и ключ от дверного замка или оставляйте их в доступном месте, чтобы в случае ошибки устройства можно было отпереть дверь вручную.

### **СДЕЛАТЬ**

- Строго следуйте руководству по установке и мерам предосторожности. В случае сомнений обратитесь в службу технической поддержки tedeo.
- Если требуется ремонт, обратитесь в службу технической поддержки tedeo.
- Используйте только напряжение питания, указанное компанией tedeo. Несоблюдение этого требования может привести к повреждению устройства, на которое не распространяется гарантия.

### **ДРУГАЯ ИНФОРМАЦИЯ**

- Несоблюдение рекомендаций, приведенных в данном руководстве, может быть опасным или привести к нарушению закона. Производитель не несет ответственности за любые убытки или ущерб, возникшие в результате несоблюдения этих инструкций.

- Это устройство безопасно для использования при нормальном и разумно прогнозируемом неправильном использовании. Если вы заметили какие-либо признаки ошибок или неисправности оборудования, обратитесь за помощью в службу технической поддержки tedeo. В этом случае устройство следует вернуть компании tedeo для проведения необходимого ремонта в соответствии с условиями гарантии. Любые изменения или модификации аппаратного или программного обеспечения устройства, не одобренные, не рекомендованные или не предоставленные компанией tedeo, могут лишить вас гарантии.
- Для правильной работы этого устройства требуется источник питания и подключение Bluetooth(R). Для сопряжения устройства с мостом tedeo для использования некоторых функций устройства требуется подключение к Интернету. Производитель не несет ответственности за возможные проблемы с доступом в помещение, вызванные отсутствием доступа к Интернету, отказом или истощением источника питания.
- Это устройство не предназначено для использования в качестве части домашней системы безопасности. Производитель не заявляет никаких противозломных свойств или сертификатов, свидетельств или классов противозломной защиты устройства. Производитель не несет ответственности за возможный ущерб/травмы, полученные в результате кражи, взлома или проникновения, вызванного повреждением, преодолением или несанкционированным получением контроля над устройством.
- Для использования некоторых функций этого устройства может потребоваться приобретение дополнительных продуктов. В случае сомнений обратитесь в службу поддержки tedeo.
- Подключение устройства к источнику питания, не соответствующему спецификациям EN 50081-1, EN 50082-1, UL508 и EN 60950, может привести к аннулированию гарантии.

### **ТЕХНИЧЕСКОЕ ОБСЛУЖИВАНИЕ**

- Перед чисткой отсоедините устройство от источника питания. Не

используйте смазки, чистящие средства, полироли или освежители воздуха на любых частях устройства. Протирайте его только сухой тканью.

- Никогда не используйте поврежденные кабели при подключении устройства.
- Не пытайтесь разбирать кабель, так как это может привести к поражению электрическим током.

## **ЮРИДИЧЕСКИЕ / ЭКОЛОГИЧЕСКИЕ ПРИМЕЧАНИЯ**

### **ДЕКЛАРАЦИЯ СООТВЕТСТВИЯ ЕС**

Компания Tedee Sp. z o.o. настоящим заявляет, что радиоустройство Tedee Dry Contact TDCV1.0 соответствует Директиве 2014/53/EU. Полный текст Декларации соответствия ЕС доступен по следующему интернет-адресу: <https://tedee.com/compliance>.

### **WEEE / ROHS**

Чтобы предотвратить возможное негативное воздействие на окружающую среду, ознакомьтесь с местными законами и правилами правильной утилизации электронных устройств и батарей в вашей стране. Утилизация батареек - если ваше устройство tedee содержит батарейки, не выбрасывайте их вместе с обычными бытовыми отходами. Сдайте их в соответствующий пункт утилизации или сбора. Батареи, используемые в устройствах tedee, не содержат ртути, кадмия или свинца в количестве, превышающем уровень, указанный в Директиве 2006/66/ЕС. Утилизация электроники - не выбрасывайте устройство tedee вместе с обычными бытовыми отходами. Сдайте его в соответствующий пункт утилизации или сбора.

### **BLUETOOTH®**

Словесный знак Bluetooth® и логотипы принадлежат компании Bluetooth SIG, Inc. и любое использование этих знаков компанией Tedee Sp. z o.o. осуществляется по лицензии. Другие торговые марки и торговые наименования принадлежат их соответствующим владельцам.

Google, Android и Google Play являются товарными знаками компании Google LLC.

Apple и App Store являются товарными знаками компании Apple Inc. IOS является торговой маркой или зарегистрированной торговой маркой компании Cisco в США и других странах и используется по лицензии. tedee® является зарегистрированной торговой маркой компании Tedee Sp. z o.o. Copyright (C) 2022. Все права защищены.

### **ГАРАНТИЯ**

Ограниченная гарантия на оборудование Tedee - Компания Tedee Sp. z o.o. гарантирует, что устройства tedee не имеют аппаратных дефектов материалов и качества изготовления в течение не менее 2 лет с момента первой розничной покупки. Компания Tedee Sp. z o.o. не несет ответственности за неправильное использование устройств (включая методы зарядки, отличные от описанных в данном буклете), особенно если пользователем были произведены какие-либо изменения или модификации аппаратного или программного обеспечения устройства, которые не были одобрены, рекомендованы или предоставлены компанией tedee. Полная информация о гарантии доступна по следующей ссылке: [www.tedee.com/warranty](http://www.tedee.com/warranty).

### **ET | OHUTUSALANE TEAVE**

HOIATUS: lugege kõiki ohutusjuhiseid ja hoiatusi. Juhiste ja hoiatuste eiramine võib põhjustada elektrilööki, ire ja/või tõsisemaid vigastusi. Hoidke need juhised edaspidiseks kasutamiseks alles.

Nende juhiste uusima ja ajakohaseima versiooni saamiseks külastage veebilehte: <https://tedee.com/>

### **HOIATUS**

Ühendage seade ainult vastavalt käesolevas kasutusjuhendis toodud juhistele. Ebaõige ühendamine võib põhjustada tulekahju või elektrilööki, kahjustada seadet ja



tühistada toote garantii. Kahtluse korral võtke ühendust kvalifitseeritud elektrikuga või tootjaga.

### **OHT! ELEKTRILÕÕGI OHT!**

ÄRGE puudutage oma seadme väljundeid ilma nõuetekohase isolatsioonita (nt kummikindad). Isegi kui seade on välja lülitatud, võivad väljundid olla endiselt pingel all (aktiivselt elektrit edastavad). Kõik paigaldustööd tuleb ALATI teostada vooluahela lahtiühendatuna.

ÄRGE kunagi ühendage seadet otse pistikupessa või 230V/110V vooluvõrku. Suur elektrilõõgi ja/või tulekahju oht.

### **ÄRGE**

- Ärge avage, muutke ega võtke oma seadet või selle lisaseadmeid lahti.
- Ärge hooldage ise ühtegi seadme osa. Kui on vaja remonti, võtke ühendust tedee tehnilise toega aadressil <https://tedee.com/>.
- Ärge kastke seadet mis tahes vedelikku, vette ega pange seda niiskuse kätte.
- Ärge kasutage seadet äärmusliku soojusallika (nt radiaator või korsten), külmaallika, lahtise tule või muude äärmuslike tingimuste läheduses.
- Ärge kasutage seadet keskkonnas, kus on kõrge niiskuse- või tolmutase, samuti kõrge õhusaaste. Kasutage seadet ainult siseruumides.
- Ärge sisestage seadme avadesse ja avadesse mingeid metallesemeid, välja arvatud juhiste kohaselt ühendatud kaabliotsad.
- Ärge käsitsege ühtegi seadme osa ega selle tarvikuid märgade kätega.
- Ärge avaldage seadme ühendamise ajal kaablitele survet, mis ületab tootja poolt ette nähtud väärtusi, et vältida kahjustusi või deformatsioone.
- Ärge püüdke kaableid jõuga pistikupesast välja võtta. Probleemide korral võtke ühendust tedee klienditoega.
- Ärge eemaldage kaablitelt isolatsiooni, välja arvatud seadme pistikupesades kasutatavate kaablite otstest.
- Võimaluse korral ärge paigaldage seadet laste või loomade käeulatuses. Kui loom või laps kahjustab seadme tervikkust (näiteks korpus puruneb),

lõpetage seadme kasutamine ja võtke ühendust tedee tehnilise toega.

- Alla 13-aastased lapsed ei tohi seadet kasutada ilma täiskasvanu järelevalveta.
- Ärge jagage oma Tedee-rakenduse sisselogimise andmeid ega andke volitamata isikutele kaugjuurdepääsu oma ruumidesse. Tootja ei vastuta kahju eest, mis on põhjustatud ruumidesse juurdepääsu andmisest volitamata isikutele.

HOIATUS: Tedee kuivkontakt võib kannatada tehnilise rikke all, mistõttu ei pruugi see olla võimeline teie ukسلukku avama. Võtke alati oma nutitelefon ja ukسلuku võti kaasa või jätke see kättesaadavasse kohta, et sellise seadme vea korral oleks võimalik uks käsitsi avada.

### **KAS**

- Järgige tähelepanelikult paigaldusjuhendit ja ohutusnõudeid. Kahtluse korral võtke ühendust tedee tehnilise toega.
- Kui on vaja remonti, võtke ühendust tedee tehnilise toega.
- Kasutage ainult tedee poolt määratud toitepingeid. Vastasel juhul võib seade kahjustada, mida garantii ei hõlma.

### **MUU TEAVE**

- Käesolevas juhendis esitatud soovitude mittejärgimine võib olla ohtlik või põhjustada seaduserikkumist. Tootja ei vastuta nende juhiste mittetäitmisest tuleneva kahju eest.
- Seda seadet on ohutu kasutada tavapärase ja mõistlikult ettearvatava väärkasutuse korral. Kui märkate vigu või riistvaralisi tõrkeid, võtke abi saamiseks ühendust tedee tehnilise tugiportaali. Sellisel juhul tuleb see seade tagastada tedee'le vajalikuks remondiks garantiitingimustel. Mis tahes muudatused või modifikatsioonid seadme riist- või tarkvaras, mis ei ole tedee poolt heaks kiidetud, soovitatud või ette nähtud, võivad tühistada teie garantii.
- See seade vajab nõuetekohaseks toimimiseks toiteallikat ja Bluetooth(R)-ühendust. Seadme sidumiseks tedee sillaga on mõne seadme funktsiooni

kasutamiseks vaja internetiühendust. Tootja ei vastuta internetiühenduse puudumisest või toiteallika rikke või ammendumise tõttu tekkivate võimalike ruumiühendusprobleemide eest.

- See seade ei ole mõeldud kasutamiseks kodu turvasüsteemi osana. Tootja ei deklareeri seadmele mingeid sissemurdmisvastaseid omadusi ega tunnustusi, sertifikaate ega sissemurdmiskaitseklasse. Tootja ei vastuta varguse, sissemurdmise või sissemurdmise tõttu tekkinud võimaliku kahju/vigastuse eest, mis tuleneb seadme kahjustamisest, ületamisest või loata kontrolli alla saamisest.
- Selle seadme mõne funktsiooni kasutamiseks võib olla vaja osta lisatooteid. Kahtluse korral võtke ühendust tedee klienditoega.
- Seadme ühendamine toiteallikaga, mis ei vasta standardi EN 50081-1, EN 50082-1, UL508 ja EN 60950 nõuetele, võib tühistada garantii.

#### HOOLDUS

- Enne puhastamist ühendage toode vooluvõrgust lahti. Ärge kasutage ühelgi seadme osal mingeid määrdeaineid, puhastusvahendeid, poleerimisvahendeid ega õhuvärskendajaid. Pühkige seda ainult kuiva lapiga.
- Ärge kunagi kasutage seadme ühendamisel kahjustatud kaableid.
- Ärge püüdke kaablit lahti võtta, sest see võib teid elektrilöögi kätte viia.

#### JURIIDILISED / KESKKONNAALASED MÄRKUSED

##### ELI VASTAVUSDEKLARATSIOON

Tedee Sp. z o.o. deklareerib käesolevaga, et Tedee Dry Contact TDCV1.0 raadioseade vastab direktiivile 2014/53/EL. ELi vastavusdeklaratsiooni täistekst on kättesaadav järgmisel veebiaadressil: <https://tedee.com/compliance>.

##### WEEE / ROHS

Võimalike negatiivsete keskkonnamõjude vältimiseks tutvuge oma riigi kohalike seaduste ja eeskirjadega elektroonikaseadmete ja patareide nõuetekohase kõrvaldamise kohta. Patareide kõrvaldamine - kui teie tedee seade sisaldab patareisid, ärge visake neid tavaliste olmejäätmete hulka. Andke need üle sobivasse

ringlussevõtu- või kogumiskohta. Tedee seadmetes kasutatavad patareid ei sisalda elavhõbedat, kaadmiumi ega pliid, mille sisaldus ületab direktiivis 2006/66/EÜ sätestatud piirmäärad. Elektroonika kõrvaldamine - ärge visake tedee-seadet tavaliste olmejäätmete hulka. Andke see üle vastavasse ringlussevõtu- või kogumiskohta.

##### BLUETOOTH®

Bluetooth® sõnamärk ja logod on Bluetooth SIG, Inc. omandis ja nende kaubamärkide kasutamine Tedee Sp. z o.o. poolt toimub litsentsi alusel. Muud kaubamärgid ja kaubanimed kuuluvad vastavatele omanikele.

Google, Android ja Google Play on Google LLC kaubamärgid.

Apple ja App Store on Apple Inc. kaubamärgid. IOS on Cisco kaubamärk või registreeritud kaubamärk USAs ja teistes riikides ning seda kasutatakse litsentsi alusel.

tedee® on Tedee Sp. z o. o. registreeritud kaubamärk. Copyright (C) 2022. Kõik õigused kaitstud.

##### GARANTII

Tedee piiratud riistvaragarantii - Tedee Sp. z o.o. garanteerib, et tedee seadmed on vabad riistvara materjali- ja valmistusvigadest vähemalt 2 aasta jooksul alates esimese jaemüügi ostu kuupäevast. Tedee Sp. z o.o. ei võta vastutust seadmete väärikasutuse eest (sealhulgas käesolevas brošüüris kirjeldatud erinevate laadimismeetodite eest), eriti kui kasutaja on teinud muudatusi või modifikatsioone seadme riistvaras või tarkvaras, mis ei ole tedee poolt heaks kiidetud, soovitatud või ette nähtud. Täielik teave garantii kohta on saadaval järgmisel lingil: [www.tedee.com/warranty](http://www.tedee.com/warranty).

##### LT | SAUGOS INFORMACIJA

ĮSPĖJIMAS: perskaitykite visus saugos nurodymus ir įspėjimus. Nesilaikydami nurodymų ir įspėjimų, galite patirti elektros smūgį, apšalti ir (arba) sunkiai susižeisti.

Saugokite šias instrukcijas, kad galėtumėte naudoti ateityje.

Norėdami susipažinti su naujausia ir aktualiausia šių instrukcijų versija, apsilankykite adresu: <https://tedee.com/>

## ISPĖJIMAS

Prietaisą prijunkite tik vadovaudamiesi šiame vadove pateiktomis instrukcijomis. Netinkamas prijungimas gali sukelti gaisrą arba elektros smūgį, sugadinti prietaisą ir panaikinti gaminio garantiją. Jei kyla abejonų, kreipkitės pagalbos į kvalifikuotą elektriką arba į gamintoją.

## PAVOJUS! ELEKTROS SMŪGIO PAVOJUS!

Nelieskite įrenginio išėjimų be tinkamos izoliacijos (pvz., guminių pirštinių). Net kai įrenginys yra išjungtas, išėjimai vis tiek gali būti veikiantys (aktyviai perduodantys elektrą). Visus montavimo darbus VISADA reikia atlikti atjungus maitinimo grandinę.

NIEKADA neįjunkite prietaiso tiesiai į elektros lizdą arba 230V/110V maitinimo šaltinį. Didelė elektros smūgio ir (arba) gaisro rizika.

## NEDARYKITE

- Neatidarinėkite, nemodifikuokite ir neardykite prietaiso ar jo priedų.
- Neteikite savarankiškai aptarnauti jokios prietaiso dalies. Jei reikia atlikti remonto darbus, kreipkitės į tedee techninės pagalbos tarnybą adresu <https://tedee.com/>.
- Nenaudokite prietaiso į jokių skystį, vandenį ir nelaikykite jo drėgmėje.
- Nenaudokite prietaiso šalia didelio karščio šaltinio (pvz., radiatoriaus ar kamino), šalčio šaltinio, atviros ugnies ar kitomis ekstremaliomis sąlygomis.
- Nenaudokite prietaiso aplinkoje, kurioje yra didelė drėgmė ar dulktumas, taip pat didelis oro užterštumas. Prietaisą naudokite tik patalpose.
- Nekiškite jokių metalinių daiktų į prietaiso angas ir tarpus, išskyrus kabelių galus, prijungtus pagal instrukcijas.
- Jokių prietaiso ar jo priedų dalių nelieskite drėgnomis rankomis.

- Prijungdami prietaisą nespauskite kabelių daugiau, nei nurodyta gamintojo, kad išvengtumėte pažeidimų ar deformacijų.
- Nebandykite jėga ištraukti kabelių iš lizdų. Iškilus problemoms, kreipkitės į tedee pagalbos tarnybą.
- Nepašalinkite izoliacijos nuo kabelių, išskyrus kabelių galus, naudojamus prietaiso lizduose.
- Jei įmanoma, nemontuokite prietaiso vaikams ar gyvūnams pasiekiamoje vietoje. Jei gyvūnas ar vaikas pažeidžia prietaiso vientisumą (pvz., sulūžta korpusas), nustokite naudoti prietaisą ir kreipkitės į tedee techninės pagalbos tarnybą.
- Jaunesni nei 13 metų vaikai be suaugusiųjų priežiūros neturėtų naudoti šio prietaiso.
- Nesidalykite "Tedee" programos prisijungimo duomenimis ir nesuteikite nuotolinės prieigos prie savo patalpų neįgaliesiems asmenims. Gamintojas neatsako už žalą, padarytą suteikus prieigą prie patalpų neįgaliesiems asmenims.

ISPĖJIMAS: "Tedee" sausasis kontaktas gali patirti techninį gedimą, todėl gali nepavykti atidaryti jūsų durų spynos. Išmanųjį telefoną ir durų spynos raktą visada nešiokitės su savimi arba palikite jį prienamoje vietoje, kad, įvykus tokiam prietaiso gedimui, duris būtų galima atrakinti rankiniu būdu.

## AR

- Atidžiai laikykitės montavimo vadovo ir saugos priemonių. Jei kyla abejonų, kreipkitės į tedee techninę pagalbą.
- Jei reikia atlikti remonto darbus, kreipkitės į tedee techninę pagalbą.
- Naudokite tik tedee nurodytą maitinimo įtampą. Nesilaikant šios nuostatos gali būti sugadintas prietaisas, kuriam netaikoma garantija.

## KITA INFORMACIJA

- Šiame vadove pateiktų rekomendacijų nesilaikymas gali būti pavojingas arba sukelti įstatymų pažeidimą. Gamintojas neatsako už bet kokius nuostolius ar žalą, atsiradusią nesilaikant šių instrukcijų.

- Šį prietaisą saugu naudoti esant įprastam ir pagrįstai numatomam netinkamam naudojimui. Jei pastebėjote klaidų ar aparatinės įrangos gedimo požymių, kreipkitės pagalbos į tedee techninį aptarnavimo centrą. Tokiu atveju šį prietaisą reikia grąžinti "tedee", kad būtų atliktas būtinas remontas pagal garantijos sąlygas. Bet kokie prietaiso aparatinės ar programinės įrangos pakeitimai ar modifikacijos, kurių nepatvirtino, nerekomendavo ar nepateikė tedee, gali panaikinti garantiją.
- Kad šis prietaisas tinkamai veiktų, reikia maitinimo šaltinio ir "Bluetooth" (R) ryšio. Norint susieti prietaisą su tedee tiltu, norint naudotis kai kuriomis prietaiso funkcijomis, reikalingas interneto ryšys. Gamintojas neatsako už galimas prieigos prie kambario problemas, kylančias dėl interneto prieigos nebuvimo arba maitinimo šaltinio gedimo ar išsekimo.
- Šis prietaisas nėra skirtas naudoti kaip namų apsaugos sistemos dalis. Gamintojas nedeklaruoja jokių apsaugos nuo įsilaužimo savybių ar atestatų, sertifikatų ar apsaugos nuo įsilaužimo klasių. Gamintojas neatsako už bet kokią galimą žalą ir (arba) sužalojimus, patirtus dėl vagystės, įsilaužimo ar įsibrovimo, atsiradusio dėl prietaiso sugadinimo, įveikimo ar nesankcionuoto jo užvaldymo.
- Norint įjungti kai kurias šio prietaiso funkcijas, gali reikėti įsigyti papildomų produktų. Jei abejojate, kreipkitės į tedee palaikymo tarnybą.
- Prijungus prietaisą prie maitinimo šaltinio, neatitinkančio EN 50081-1, EN 50082-1, UL508 ir EN 60950 specifikacijų, gali būti panaikinta garantija.

#### **TECHNINĖ PRIEŽIŪRA**

- Prieš valydami atjunkite gaminį nuo maitinimo šaltinio. Nenaudokite jokių tepalų, valymo priemonių, poliravimo priemonių ar oro gaiviklių ant jokių prietaiso dalių. Valykite jį tik sausa šluoste.
- Prijungdami įrenginį niekada nenaudokite pažeistų kabelių.
- Nebandykite išardyti kabelio, nes tai gali sukelti elektros smūgį.

#### **TEISINĖS / APLINKOSAUGOS PASTABOS**

#### **ES ATITIKTIES DEKLARACIJA**

Tedee Sp. z o.o. pareiškia, kad Tedee sausojo kontakto TDCV1.0 radijo įrenginys atitinka Direktyvą 2014/53/ES. Visą ES atitikties deklaracijos tekstą galima rasti šiuo interneto adresu: <https://tedee.com/compliance>.

#### **WEEE / ROHS**

Kad išvengtumėte galimo neigiamo poveikio aplinkai, pasidomėkite vietiniais įstatymais ir taisyklėmis dėl tinkamo elektroninių prietaisų ir baterijų šalinimo jūsų šalyje. Baterijų šalinimas - jei jūsų tedee įrenginyje yra baterijų, neišmeskite jų kartu su įprastomis buitinėmis atliekomis. Atiduokite jas į atitinkamą perdirbimo arba surinkimo punktą. Tedee prietaisuose naudojamose baterijose nėra gyvsidabrio, kadmio ar švino, kurių kiekis viršija 2006/66/EB direktyvoje nurodytą kiekį. Elektronikos šalinimas - neišmeskite tedee prietaiso kartu su įprastomis buitinėmis atliekomis. Atiduokite jį į atitinkamą perdirbimo arba surinkimo punktą.

#### **"BLUETOOTH®"**

"Bluetooth®" žodinis ženklas ir logotipai priklauso "Bluetooth SIG, Inc.", o "Tedee Sp. z o.o." šiuos ženklus naudoja pagal licenciją. Kiti prekių ženklai ir prekių pavadinimai priklauso atitinkamiems jų savininkams.

"Google", "Android" ir "Google Play" yra "Google LLC" prekių ženklai.

"Apple" ir "App Store" yra "Apple Inc." prekių ženklai. IOS yra "Cisco" prekių ženklas arba registruotas prekių ženklas JAV ir kitose šalyse ir naudojamas pagal licenciją. tedee® yra registruotas Tedee Sp. z o. o. registruotas prekės ženklas Copyright (C) 2022. Visos teisės saugomos.

#### **GARANTUOJAMA**

Tedee ribota techninės įrangos garantija - Tedee Sp. z o.o. garantuoja, kad Tedee prietaisai neturi medžiagų ir gamybos defektų ne trumpiau kaip 2 metus nuo pirmojo mažmeninio pirkimo datos. Tedee Sp. z o.o. nepriima atsakomybės už netinkamą prietaisų naudojimą (įskaitant kitus nei šioje knygelėje aprašytus įkrovimo būdus), ypač jei naudotojas atliko bet kokius prietaiso techninės ar programinės įrangos pakeitimus ar modifikacijas, kurių nepatvirtino, nerekomendavo ar nepateikė tedee.

Visā informācijā apie garantiju rasite šioje nuorodoje: [www.tedee.com/warranty](http://www.tedee.com/warranty)

## LV | DROŠĪBAS INFORMĀCIJA

**BRĪDINĀJUMS:** izlasiet visus drošības norādījumus un brīdinājumus. Vadlīniju un brīdinājumu neievērošana var izraisīt elektriskās strāvas triecienu, apdegumus un/vai nopietnus ievainojumus. Saglabājiet šos norādījumus turpmākai lietošanai.

Lai piekļūtu jaunākajai, aktuālajai šo norādījumu versijai, apmeklējiet: <https://tedee.com/>

## BRĪDINĀJUMS

Savienojiet ierīci tikai saskaņā ar šajā rokasgrāmatā sniegtajiem norādījumiem. Nepareizi savienojumi var izraisīt ugunsgrēku vai elektrošoku, sabojāt ierīci un anulēt produkta garantiju. Ja rodas šaubas, sazinieties ar kvalificētu elektriķi, lai saņemtu palīdzību, vai ar ražotāju.

## BĪSTAMĪBA! ELEKTRISKĀS STRĀVAS TRIECIENA RISKS!

Nepieskarieties instalācijas izejām bez atbilstošas izolācijas (piemēram, gumijas cimdiem). Pat tad, ja ierīce ir izslēgta, izejas joprojām var būt zem sprieguma (aktīvi pārraidīt elektrību). Visus instalēšanas darbus VĒLKAD jāveic, atvienojot strāvas ķēdi.

Nekad neieslēdziet ierīci tieši elektrības kontaktligzdā vai 230V/110V barošanas avotā. Liels risks gūt elektrotraumu un/vai aizdegties.

## NEDRĪKST

- Neatveriet, nemodificējiet un neizjauciet ierīci vai tās piederumus.
- Neveiciet ierīces pašapkalpošanas nevienā tās daļā. Ja nepieciešams remonts, sazinieties ar tedeē tehnisko atbalstu pa tālruni <https://tedee.com/>.
- Neiegremdējiet ierīci šķidrumā, ūdenī un nepakļaujiet to mitrumam.
- Neizmantojiet ierīci ekstremāla karstuma avota (piemēram, radiatora vai

skursteņa), aukstuma avota, atklātas uguns vai citu ekstrēmu apstākļu tuvumā.

- Nelietojiet ierīci vidē ar augstu mitruma vai putekļu līmeni, kā arī augstu gaisa piesārnājumu. Izmantojiet ierīci tikai telpās.
- Ierīces atverēs un spraugās neievietojiet nekādus metāla priekšmetus, izņemot kabeļu galus, kas savienoti saskaņā ar instrukcijām.
- Neņemieties ar mitrām rokām apstrādāt ierīces vai tās piederumu daļas.
- Lai novērstu bojājumus vai deformāciju, ierīces savienošanas laikā nespiediet kabeļus vairāk, nekā norādījis ražotājs.
- Nemēģiniet ar spēku izvilkt kabeļus no ligzdām. Ja rodas problēmas, sazinieties ar tedeē atbalsta dienestu.
- Nenovelciet izolāciju no kabeļiem, izņemot kabeļu galus, kas tiek izmantoti ierīces kontaktligzdās.
- Ja iespējams, neuzstādiet ierīci bērniem vai dzīvniekiem pieejamā vietā. Ja dzīvnieks vai bērns bojā ierīces integritāti (piemēram, salauž korpusu), pārtrauciet ierīces lietošanu un sazinieties ar tedeē tehnisko atbalstu.
- Ierīci bez pieaugušo uzraudzības nedrīkst lietot bērni, kas jaunāki par 13 gadiem.
- Nedalieties ar saviem Tedeē lietojumprogrammas pieteikšanās datiem un nepiešķiriet attālinātu piekļuvi savām telpām nepiederošām personām. Ražotājs nav atbildīgs par kaitējumu, kas radies, piešķirot piekļuvi telpām nepiederošām personām.

**BRĪDINĀJUMS:** Tedeē sausajam kontaktam var rasties tehniska kļūme, tāpēc tas var nespēt atvērt jūsu durvju slēdzeni. Vienmēr nēsājiet līdzi viedtālruni un durvju slēdzenes atslēgu vai atstājiet to pieejamā vietā, lai šādas ierīces kļūdas gadījumā durvis varētu atbloķēt manuāli.

## VAI

- Rūpīgi ievērojiet uzstādīšanas rokasgrāmatu un drošības noteikumus. Ja rodas šaubas, sazinieties ar tedeē tehnisko atbalstu.
- Ja nepieciešams remonts, sazinieties ar tedeē tehnisko atbalstu.
- Izmantojiet tikai tedeē norādīto barošanas spriegumu. Pretējā gadījumā ierīce

var tikt bojāta, un uz to neattiecas garantija.

#### **CITA INFORMĀCIJA**

- Šajā rokasgrāmatā iekļauto ieteikumu neievērošana var būt bīstama vai izraisīt likuma pārkāpumu. Ražotājs nav atbildīgs par jebkādiem zaudējumiem vai bojājumiem, kas radušies, neievērojot šos norādījumus.
- Šī ierīce ir droša lietošanai parastos un pamatoti paredzamos nepareizas lietošanas apstākļos. Ja pamanāt kļūdas vai aparatūras darbības traucējumus, sazinieties ar Tedee tehnisko atbalstu, lai saņemtu palīdzību. Šādā gadījumā šī ierīce jānodod atpakaļ tedee nepieciešamajam remontam saskaņā ar garantijas nosacījumiem. Jebkādas ierīces aparatūras vai programmatūras izmaiņas vai modifikācijas, kas nav apstiprinātas, ieteiktas vai nodrošinātas no tedee puses, var anulēt garantiju.
- Šīs ierīces pareizai darbībai ir nepieciešams strāvas avots un Bluetooth(R) savienojums. Lai savienotu ierīci ar tedee tiltu, ir nepieciešams interneta savienojums, lai izmantotu dažas ierīces funkcijas. Ražotājs nav atbildīgs par iespējamām piekļuves problēmām telpā, kas rodas interneta piekļuves trūkuma vai barošanas avota atteices vai izlādes dēļ.
- Šī ierīce nav paredzēta lietošanai kā daļa no mājas drošības sistēmas. Ražotājs nedeklarē nekādas ierīces pretlaušanas īpašības vai pretlaušanas aizsardzības apliecinājumus, sertifikātus vai klases. Ražotājs nav atbildīgs par jebkādiem iespējamiem bojājumiem/ievainojumiem, kas radušies zādzības, ielaušanās vai ielaušanās rezultātā, kas radušies ierīces bojājuma, pārvarēšanas vai nesankcionētas kontroles iegūšanas rezultātā.
- Lai varētu izmantot dažas ierīces funkcijas, var būt nepieciešams iegādāties papildu produktus. Ja rodas šaubas, sazinieties ar Tedee atbalsta dienestu.
- Savienojot ierīci ar barošanas avotu, kas neatbilst EN 50081-1, EN 50082-1, UL508 un EN 60950 specifikācijām, var tikt anulēta garantija.

#### **UZTURĒŠANA**

- Pirms tīrīšanas atvienojiet izstrādājumu no strāvas padeves. Nevienai ierīces daļai neizmantojiet smērvielas, tīrīšanas līdzekļus, pulēšanas līdzekļus vai gaisa atsvaidzinātājus. Noslaukiet to tikai ar sausu drānu.

- Savienojot ierīci, nekad neizmantojiet bojātus kabelus.
- Nemēģiniet demontēt kabeli, jo tas var radīt elektriskās strāvas trieciena risku.

#### **JURIDISKĀS / VIDES PIEZĪMES**

##### **ES ATBILSTĪBAS DEKLARĀCIJA**

Tedee Sp. z o.o. ar šo paziņo, ka Tedee Dry Contact TDCV1.0 radio ierīce atbilst Direktīvai 2014/53/ES. Pilns ES atbilstības deklarācijas teksts ir pieejams šādā tīmekļa vietnē: <https://tedee.com/compliance>.

##### **WEEE / ROHS**

Lai novērstu iespējamo negatīvo ietekmi uz vidi, iepazīstieties ar vietējiem likumiem un noteikumiem par pareizu elektronisko ierīču un bateriju utilizāciju jūsu valstī. Bateriju iznīcināšana - ja jūsu tedee ierīcē ir baterijas, neizmetiet tās kopā ar parastajiem sadzīves atkritumiem. Nododiet tās attiecīgajā pārstrādes vai savākšanas punktā. Tedee ierīcēs izmantotās baterijas nesatur dzīvsudrabu, kadmiju vai svīnu, kas pārsniedz 2006/66/EK direktīvā noteikto līmeni. Elektronisko ierīču iznīcināšana - neizmetiet savu tedee ierīci kopā ar parastajiem sadzīves atkritumiem. Nododiet to attiecīgajā pārstrādes vai savākšanas punktā.

##### **BLUETOOTH®**

Bluetooth® vārdiskā zīme un logotipi pieder Bluetooth SIG, Inc., un Tedee Sp. z o.o. Šīs zīmes izmanto saskaņā ar licenci. Citas preču zīmes un tirdzniecības nosaukumi pieder to attiecīgajiem īpašniekiem.

Google, Android un Google Play ir uzņēmuma Google LLC preču zīmes.

Apple un App Store ir Apple Inc. preču zīmes. IOS ir Cisco preču zīme vai reģistrēta preču zīme ASV un citās valstīs, un tā tiek izmantota saskaņā ar licenci. Tedee® ir Tedee Sp. z o. o. reģistrēta preču zīme Copyright (C) 2022. Visas tiesības aizsargātas.

## GARANTUJA

Tedee ierobežotā aparatūras garantija - Tedee Sp. z o.o. garantē, ka Tedee ierīcēm nav materiālu un izgatavošanas defektu ne mazāk kā 2 gadus no pirmās mazumtirdzniecības iegādes dienas. Tedee Sp. z o.o. neuzņemas atbildību par ierīču nepareizu lietošanu (ieskaitot uzlādes metodes, kas nav aprakstītas šajā bukletā), jo īpaši, ja lietotājs ir veicis jebkādas izmaiņas vai modifikācijas ierīces aparatūrā vai programmatūrā, ko nav apstiprinājusi, ieteikusi vai nodrošinājusi Tedee. Pilnīga garantijas informācija ir pieejama šajā saitē: [www.tedee.com/warranty](http://www.tedee.com/warranty).

## CS | BEZPEČNOSTNÍ INFORMACE

**VAROVÁNÍ:** Přečtěte si všechny bezpečnostní pokyny a upozornění. Nedodržení pokynů a varování může mít za následek úraz elektrickým proudem, popálení a/nebo vážné zranění. Tyto pokyny si uschovejte pro budoucí použití. Nejnovější a neaktuálnější verzi těchto pokynů naleznete na adrese: <https://tedee.com/>

## VAROVÁNÍ

Zařízení připojujte pouze podle pokynů uvedených v této příručce. Nesprávné připojení může způsobit požár nebo úraz elektrickým proudem, poškodit zařízení a zrušit záruku na výrobek. V případě pochybností se obraťte na kvalifikovaného elektrikáře, který vám poskytne pomoc, nebo na výrobce.

## NEBEZPEČÍ! NEBEZPEČÍ ÚRAZU ELEKTRICKÝM PROUDEM!

**NEDOTÝKĚJTE** se výstupů instalace bez řádné izolace (např. gumových rukavic). I když je zařízení vypnuté, výstupy mohou být stále pod napětím (aktivně přenášejí elektrický proud). Veškeré instalační práce provádějte **VŽDY** s odpojeným napájecím obvodem.

Zařízení **NIKDY** nezapojujte přímo do elektrické zásuvky nebo do zdroje 230V/110V. Vysoké riziko úrazu elektrickým proudem a/nebo požáru.

## NEPOUŽÍVEJTE

- Zařízení ani jeho příslušenství neotevírejte, neupravujte ani nerozebírejte.
- Neprovádějte samoobsluhu žádné části zařízení. V případě potřeby opravy kontaktujte technickou podporu tedee na adrese <https://tedee.com/>.
- Zařízení neponořujte do žádné kapaliny, vody ani ho nevystavujte vlhkosti.
- Zařízení nepoužívejte v blízkosti extrémního zdroje tepla (např. radiátoru nebo komína), zdroje chladu, otevřeného ohně nebo jiných extrémních podmínek.
- Nepoužívejte přístroj v prostředí s vysokou vlhkostí nebo prašností, stejně jako s vysokým znečištěním ovzduší. Zařízení používejte pouze v interiéru.
- Do otvorů a mezer v zařízení nevkládejte žádné kovové předměty, s výjimkou koncovek kabelů připojených podle pokynů.
- Nemanipulujte s žádnou částí přístroje ani jeho příslušenstvím mokřima rukama.
- Při připojování zařízení nevyvíjejte na kabely větší tlak, než určuje výrobce, aby nedošlo k jejich poškození nebo deformaci.
- Nepokoušejte se násilím vytahovat kabely ze zásuvek. V případě potíží se obraťte na podporu tedee.
- Neodstraňujte izolaci z kabelů s výjimkou konců kabelů použitých v zásuvkách zařízení.
- Pokud je to možné, nainstalujte zařízení v dosahu dětí nebo zvířat. Pokud zvíře nebo dítě poškodí celistvost zařízení (např. rozbije kryt), přestaňte zařízení používat a kontaktujte technickou podporu tedee.
- Zařízení by neměly používat děti mladší 13 let bez dozoru dospělé osoby.
- Nesdílejte přihlašovací údaje do aplikace Tedee ani neposkytujte vzdálený přístup do svých prostor neoprávněným osobám. Výrobce nenes odpovědnost za škody způsobené udělením přístupu do prostor neoprávněným osobám.

**VAROVÁNÍ:** Suchý kontakt Tedee může trpět technickou závadou, takže nemusí být schopen otevřít váš zámek dveří. Chytrý telefon a klíč k zámku dveří noste vždy u sebe nebo jej nechte na přístupném místě, abyste v případě takového chyby zařízení mohli dveře odemknout ručně.

## DO

- Důsledně dodržujte instalační příručku a bezpečnostní opatření. V případě pochybností kontaktujte technickou podporu tedee.
- V případě potřeby opravy kontaktujte technickou podporu tedee.
- Používejte pouze napájecí napětí specifikované společností tedee. V opačném případě může dojít k poškození zařízení, na které se nevztahuje záruka.

## DALŠÍ INFORMACE

- Nedodržení doporučení uvedených v této příručce může být nebezpečné nebo může způsobit porušení zákona. Výrobce nenes odpovědnost za jakékoli ztráty nebo škody vzniklé v důsledku nedodržení těchto pokynů.
- Tento přístroj je bezpečný při běžném a rozumně předvídatelném nesprávném použití. Pokud si všimnete jakýchkoli příznaků chyb nebo selhání hardwaru, obraťte se na technickou podporu tedee a požádejte o pomoc. V takovém případě je třeba toto zařízení vrátit společnosti tedee k nezbytné opravě podle záručních podmínek. Jakékoli změny nebo úpravy hardwaru nebo softwaru zařízení, které nejsou schváleny, doporučeny nebo poskytnuty společností tedee, mohou vést ke ztrátě záruky.
- Toto zařízení vyžaduje pro správnou funkci zdroj napájení a připojení Bluetooth(R). Pro spárování zařízení s mostem tedee bridge je pro použití některých funkcí zařízení nutné připojení k internetu. Výrobce neodpovídá za případné problémy s přístupem do místnosti v důsledku nedostatečného přístupu k internetu nebo selhání či vyčerpání zdroje napájení.
- Toto zařízení není určeno k použití jako součást domácího bezpečnostního systému. Výrobce nedeklaruje žádné vlastnosti proti vloupání ani atesty, certifikáty nebo třídy ochrany proti vloupání pro toto zařízení. Výrobce nenes odpovědnost za případné škody/úrazy vzniklé v důsledku krádeže, vloupání nebo vniknutí v důsledku poškození, překonání nebo neoprávněného získání kontroly nad zařízením.
- Toto zařízení může vyžadovat zakoupení dalších produktů, aby bylo možné využívat některé jeho funkce. V případě pochybností se obraťte na podporu společnosti tedee.
- Připojení zařízení k napájecímu zdroji, který nespĺňuje specifikace uvedené

v normách EN 50081-1, EN 50082-1, UL508 a EN 60950, může vést ke ztrátě záruky.

## ÚDRŽBA

- Před čištěním odpojte výrobek od napájení. Na žádnou část zařízení nepoužívejte maziva, čisticí prostředky, leštidla ani osvěžovače vzduchu. Otírejte jej pouze suchým hadříkem.
- Při připojování zařízení nikdy nepoužívejte poškozené kabely.
- Nepokoušejte se kabel rozebírat, protože byste se mohli vystavit úrazu elektrickým proudem.

## PRÁVNÍ / ENVIRONMENTÁLNÍ POZNÁMKY

### EU PROHLÁŠENÍ O SHODĚ

Společnost Tedee Sp. z o.o. tímto prohlašuje, že rádiové zařízení Tedee Dry Contact TDCV1.0 je v souladu se směrnicí 2014/53/EU. Úplné znění EU prohlášení o shodě je k dispozici na následující internetové adrese: <https://tedee.com/compliance>.

### WEEE / ROHS

Abyste předešli možnému negativnímu dopadu na životní prostředí, prostudujte si místní zákony a předpisy týkající se správné likvidace elektronických zařízení a baterií ve vaší zemi. Likvidace baterií - pokud vaše zařízení tedee obsahuje baterie, nelikvidujte je společně s běžným domovním odpadem. Odevzdejte je na příslušném recyklačním nebo sběrném místě. Baterie používané v zařízeních tedee neobsahují rtuť, kadmium ani olovo v množství vyšším, než je uvedeno ve směrnici 2006/66/ES. Likvidace elektroniky - zařízení tedee nelikvidujte společně s běžným domovním odpadem. Odevzdejte jej na příslušném recyklačním nebo sběrném místě.

### BLUETOOTH®

Slovní značka a loga Bluetooth® jsou vlastnictvím společnosti Bluetooth SIG, Inc. a jakékoli použití těchto značek společností Tedee Sp. z o.o. podléhá licenci. Ostatní ochranné známky a obchodní názvy patří příslušným vlastníkům.



Google, Android a Google Play jsou ochranné známky společnosti Google LLC.

Apple a App Store jsou ochranné známky společnosti Apple Inc. IOS je ochranná známka nebo registrovaná ochranná známka společnosti Cisco v USA a dalších zemích a používá se na základě licence.

tedee® je registrovaná ochranná známka společnosti Tedee Sp. z o. o. Copyright (C) 2022. Všechna práva vyhrazena.

### ZÁRUKA

Omezená záruka na hardware Tedee - Tedee Sp. z o.o. zaručuje, že zařízení Tedee jsou bez hardwarových vad materiálu a zpracování po dobu nejméně 2 let od data prvního maloobchodního nákupu. Společnost Tedee Sp. z o.o. nenesie odpovědnost za nesprávné použití zařízení (včetně jiných způsobů nabíjení, než jsou popsány v této brožuře), zejména pokud uživatel provedl jakékoli změny nebo úpravy hardwaru nebo softwaru zařízení, které nebyly schváleny, doporučeny nebo poskytnuty společností tedee. Úplné informace o záruce jsou k dispozici na následujícím odkazu: [www.tedee.com/warranty](http://www.tedee.com/warranty).

### SK | BEZPEČNOSTNÉ INFORMÁCIE

**VAROVANIE:** Prečítajte si všetky bezpečnostné pokyny a upozornenia. Nedodržanie pokynov a upozornení môže mať za následok úraz elektrickým prúdom, poranenie a/alebo vážne zranenie. Tieto pokyny si uschovajte pre budúce použitie.

Prístup k najnovšej a najaktuálnejšej verzii týchto pokynov nájdete na adrese: <https://tedee.com/>

### VAROVANIE

Zariadenie pripájajte len podľa pokynov uvedených v tejto príručke. Nesprávne pripojenie môže spôsobiť požiar alebo úraz elektrickým prúdom, poškodí zariadenie a zruší platnosť záruky na výrobok. V prípade pochybností sa obráťte na kvalifikovaného elektrikára, ktorý vám poskytne pomoc, alebo na výrobcu.

### NEBEZPEČENSTVO! NEBEZPEČENSTVO ÚRAZU ELEKTRICKÝM PRÚDOM!

**NEDOTÝKAJTE** sa výstupov inštalácie bez vhodnej izolácie (napr. gumových rukavíc). Aj keď je zariadenie vypnuté, výstupy môžu byť stále pod napätím (aktívne prenášajú elektrickú energiu). Všetky inštalačné práce by sa mali VŽDY vykonávať s odpojeným napájacím obvodom.

Zariadenie NIKDY nezapájajte priamo do elektrickej zásuvky alebo do zdroja 230V/110V. Vysoké riziko úrazu elektrickým prúdom a/alebo požiaru.

### NEPOUŽÍVAJTE

- Zariadenie ani jeho príslušenstvo neotvárajte, neupravujte ani nerozoberajte.
- Nevykonávajúce samoobsluhu žiadnej časti zariadenia. V prípade potreby opravy kontaktujte technickú podporu tedee na adrese <https://tedee.com/>.
- Zariadenie neponárajte do žiadnej kvapaliny, vody ani ho nevystavujte vlhkosti.
- Zariadenie nepoužívajte v blízkosti extrémneho zdroja tepla (ako je radiátor alebo komín), zdroja chladu, otvoreného ohňa alebo iných extrémnych podmienok.
- Zariadenie nepoužívajte v prostredí s vysokou vlhkosťou alebo prašnosťou, ako aj s vysokým znečistením ovzdušia. Zariadenie používajte len v interiéri.
- Do otvorov a medzier zariadenia nevkladajte žiadne kovové predmety, okrem koncov káblov pripojených podľa návodu.
- Nemanipulujte so žiadnou časťou zariadenia alebo jeho príslušenstva mokrymi rukami.
- Počas pripájania zariadenia nevyvíjajte na káble väčší tlak, ako určuje výrobca, aby nedošlo k ich poškodeniu alebo deformácii.
- Nepokúšajte sa násilne vytiahnuť káble zo zásuviek. V prípade problémov sa obráťte na podporu tedee.
- Neodstraňujte izoláciu z káblov s výnimkou koncov káblov použitých v zásuvkách zariadenia.
- Ak je to možné, neinštalujte zariadenie v dosahu detí alebo zvierat. Ak zviera alebo dieťa poškodí celistvosť zariadenia (napríklad sa rozbije kryt), prestaňte

- zariadenie používať a kontaktujte technickú podporu tedee.
- Zariadenie by nemali používať deti mladšie ako 13 rokov bez dozoru dospelých osôb.
  - Neposkytujte svoje prihlasovacie údaje do aplikácie Tedee ani neposkytujte vzdialený prístup do svojich priestorov neoprávneným osobám. Výrobca nenesie zodpovednosť za škody spôsobené udelením prístupu do priestorov neoprávneným osobám.

**UPOZORNENIE:** Suchý kontakt Tedee môže trpieť technickou poruchou, takže nemusí byť schopný otvoriť váš zámok dverí. Vždy majte pri sebe smartfón a kľúč od zámku dverí alebo ho nechajte na prístupnom mieste, aby ste v prípade takejto chyby zariadenia mohli dvere odomknúť ručne.

#### **DO**

- Dôsledne dodržiavajte návod na inštaláciu a bezpečnostné opatrenia. V prípade pochybností kontaktujte technickú podporu tedee.
- V prípade potreby opravy kontaktujte technickú podporu tedee.
- Používajte iba napájacie napätie špecifikované spoločnosťou tedee. V opačnom prípade môže dôjsť k poškodeniu zariadenia, na ktoré sa nevzťahuje záruka.

#### **ĎALŠIE INFORMÁCIE**

- Nedodržanie odporúčaní uvedených v tejto príručke môže byť nebezpečné alebo môže spôsobiť porušenie zákona. Výrobca nezodpovedá za žiadne straty alebo škody vzniknuté nedodržaním týchto pokynov.
- Tento prístroj je bezpečný pri bežnom a rozumne predvídateľnom nesprávnom používaní podľa prevádzkového poriadku. Ak spozorujete akékoľvek príznaky chýb alebo poruchy hardvéru, obráťte sa na technickú podporu tedee a požiadať o pomoc. V takom prípade by ste mali toto zariadenie vrátiť spoločnosti tedee na nevyhnutnú opravu v rámci záručných podmienok. Akékoľvek zmeny alebo úpravy hardvéru alebo softvéru zariadenia, ktoré nie sú schválené, odporúčané alebo poskytnuté spoločnosťou tedee, môžu viesť k strate záruky.

- Toto zariadenie si na správnu prevádzku vyžaduje zdroj napájania a pripojenie Bluetooth(R). Na spárovanie zariadenia s mostom tedee je potrebné internetové pripojenie, aby bolo možné používať niektoré funkcie zariadenia. Výrobca nezodpovedá za prípadné problémy s prístupom do miestnosti vyplývajúce z nedostatočného prístupu na internet alebo zlyhania či vyčerpania zdroja napájania.
- Toto zariadenie nie je určené na používanie ako súčasť domáceho bezpečnostného systému. Výrobca pre toto zariadenie nedeclaruje žiadne vlastnosti proti vlámaniu ani atesty, certifikáty alebo triedy ochrany proti vlámaniu. Výrobca nenesie zodpovednosť za prípadné škody/úrazy vzniknuté v dôsledku krádeže, vlámania alebo vniknutia v dôsledku poškodenia, prekonania alebo neoprávneného získania kontroly nad zariadením.
- Toto zariadenie si môže vyžadovať zakúpenie ďalších produktov, aby bolo možné využívať niektoré jeho funkcie. V prípade pochybností sa obráťte na podporu spoločnosti tedee.
- Pripojenie zariadenia k napájaciu zdroju, ktorý nespĺňa špecifikácie uvedené v normách EN 50081-1, EN 50082-1, UL508 a EN 60950, môže viesť k strate záruky.

#### **ÚDRŽBA**

- Pred čistením odpojte výrobok od napájania. Na žiadnu časť zariadenia nepoužívajte žiadne mazadlá, čistiace prostriedky, leštiace prostriedky ani osviežovače vzduchu. Utierajte ho iba suchou handričkou.
- Pri pripájaní zariadenia nikdy nepoužívajte poškodené káble.
- Nepokúšajte sa kábel rozoberať, pretože by ste sa mohli vystaviť úrazu elektrickým prúdom.

#### **PRÁVNE/ENVIRONMENTÁLNE POZNÁMKY**

##### **vyhlásenie o zhode EÚ**

Spoločnosť Tedee Sp. z o.o. týmto vyhlasuje, že rádiové zariadenie Tedee Dry Contact TDCV1.0 je v súlade so smernicou 2014/53/EÚ. Úplné znenie EÚ vyhlásenia o zhode je k dispozícii na tejto internetovej adrese: <https://tedee.com/>

compliance.

### **WEEE / ROHS**

Aby ste predišli možnému negatívnemu vplyvu na životné prostredie, prečítajte si miestne zákony a predpisy týkajúce sa správnej likvidácie elektronických zariadení a batérií vo vašej krajine. Likvidácia batérií - ak vaše zariadenie tedee obsahuje batérie, nelikvidujte ich spolu s bežným domovým odpadom. Odovzdajte ich na príslušné recyklačné alebo zberné miesto. Batérie používané v zariadeniach tedee neobsahujú ortuť, kadmium ani olovo v množstvách vyšších, ako je uvedené v smernici 2006/66/ES. Likvidácia elektroniky - zariadenie tedee nelikvidujte spolu s bežným domovým odpadom. Odovzdajte ho na príslušné recyklačné alebo zberné miesto.

### **BLUETOOTH®**

Slovná značka a logá Bluetooth® sú vlastníctvom spoločnosti Bluetooth SIG, Inc. a akékoľvek použitie týchto značiek spoločnosťou Tedee Sp. z o.o. je na základe licencie. Ostatné ochranné známky a obchodné názvy patria príslušným vlastníkom.

Google, Android a Google Play sú ochranné známky spoločnosti Google LLC.

Apple a App Store sú ochranné známky spoločnosti Apple Inc. IOS je ochranná známka alebo registrovaná ochranná známka spoločnosti Cisco v USA a iných krajinách a používa sa na základe licencie. tedee® je registrovaná ochranná známka spoločnosti Tedee Sp. z o. o. Copyright (C) 2022. Všetky práva vyhradené.

### **ZÁRUKA**

Obmedzená záruka na hardvér Tedee - Tedee Sp. z o.o. zaručuje, že zariadenia Tedee sú bez hardvérových chýb materiálu a spracovania po dobu najmenej 2 rokov od dátumu prvého maloobchodného nákupu. Spoločnosť Tedee Sp. z o.o. nenesie zodpovednosť za nesprávne používanie zariadení (vrátane iných spôsobov nabíjania, ako sú popísané v tejto brožúre), najmä ak používateľ vykonal akékoľvek zmeny alebo úpravy hardvéru alebo softvéru zariadenia, ktoré neboli schválené, odporúčané alebo poskytnuté spoločnosťou tedee. Úplné informácie o záruke sú k

dispozícii na tomto odkaze: [www.tedee.com/warranty](http://www.tedee.com/warranty)

### **SL | VARNOSTNE INFORMACIJE**

OPOZORILO: Preberite vsa varnostna navodila in opozorila. Neupoštevanje navodil in opozoril lahko povzroči električni udar, poškodbe in/ali hude poškodbe. Ta navodila shranite za prihodnjo uporabo.

Za dostop do najnovejše, najbolj posodobljene različice teh navodil obiščite: <https://tedee.com/>

### **OPOZORILO**

Napravo priključite le v skladu z navodili iz tega priročnika. Nepravilne povezave lahko povzročijo požar ali električni udar, poškodujejo napravo in razveljavijo garancijo za izdelek. Če ste v dvomih, se za pomoč obrnite na usposobljenega električarja ali na proizvajalca.

### **NEVARNOST! NEVARNOST ELEKTRIČNEGA UDARA!**

Brez ustrezne izolacije (npr. gumijastih rokavic) se NE dotikajte izhodov naprave. Tudi ko je naprava izklopljena, so lahko izhodi še vedno pod napetostjo (aktivno prenašajo električno energijo). Vsa namestitvena dela je treba VEDNO opravljati ob izklopljenem električnem tokokrogu.

Naprave NIKOLI ne priključite neposredno v električno vtičnico ali 230V/110V napajanje. Velika nevarnost električnega udara in/ali požara.

### **NE**

- Ne odpirajte, spreminjajte ali razstavljajte naprave ali njene dodatne opreme.
- Nobenega dela naprave ne servisirajte sami. Če je potrebno popravilo, se obrnite na tehnično podporo tedee na <https://tedee.com/>.
- Naprave ne potaplajte v tekočino, vodo in je ne izpostavljajte vlagi.
- Naprave ne uporabljajte v bližini izrednega vira toplote (kot je radiator ali

dimnik), vira mraza, odprtega ognja ali drugih ekstremnih pogojev.

- Naprave ne uporabljajte v okolju z visoko stopnjo vlažnosti ali prahu ter visoko stopnjo onesnaženosti zraka. Napravo uporabljajte samo v zaprtih prostorih.
- V odprtine in vrzeli naprave ne vstavljajte nobenih kovinskih predmetov, razen koncev kablov, priključenih v skladu z navodili.
- Z mokrimi rokami ne uporabljajte nobenega dela naprave ali njene dodatne opreme.
- Med priključitvijo naprave ne pritiskajte na kable bolj, kot to določa proizvajalec, da preprečite poškodbe ali deformacije.
- Ne poskušajte na silo izvleči kablov iz vtičnic. V primeru težav se obrnite na podporo tedee.
- Ne odstranjajte izolacije s kablov, razen na koncih kablov, ki se uporabljajo v vtičnicah naprave.
- Če je le mogoče, naprave ne nameščajte na doseg otrok ali živali. Če žival ali otrok poškoduje celovitost naprave (na primer razbije ohišje), prenehajte uporabljati napravo in se obrnite na tehnično podporo tedee.
- Naprave ne smejo uporabljati otroci, mlajši od 13 let, brez nadzora odraslih.
- Prijavnih podatkov za prijavo v aplikacijo Tedee ne delite z nepooblaščenimi osebami in jim ne dovolite oddaljenega dostopa do svojih prostorov. Proizvajalec ni odgovoren za škodo, ki nastane zaradi odobritve dostopa do prostorov nepooblaščenim osebam.

**OPOZORILO:** Pri suhem stiku Tedee lahko pride do tehnične okvare, zato morda ne bo mogel odpreti vaše vratne ključavnice. Pametni telefon in ključ za ključavnico vrat vedno imejte pri sebi ali ga pustite na dostopnem mestu, da lahko v primeru takšne napake naprave vrata odklenete ročno.

#### **NA SPLETNI STRANI**

- Natančno upoštevajte navodila za namestitvev in varnostne ukrepe. Če ste v dvomih, se obrnite na tehnično podporo tedee.
- Če je potrebno popravilo, se obrnite na tehnično podporo tedee.
- Uporabljajte samo napajalno napetost, ki jo je določil tedee. V nasprotnem

primeru lahko pride do poškodb naprave, ki jih garancija ne krije.

#### **DRUGE INFORMACIJE**

- Neupoštevanje priporočil iz tega priročnika je lahko nevarno ali povzroči kršitev zakona. Proizvajalec ni odgovoren za kakršno koli izgubo ali škodo, ki bi nastala zaradi neupoštevanja teh navodil.
- Ta naprava je varna za uporabo pri običajni in razumno predvidljivi napačni uporabi. Če opazite kakršne koli znake napak ali nepravilnega delovanja strojne opreme, se za pomoč obrnite na tehnično podporo tedee. V takem primeru je treba to napravo vrniti družbi tedee za potrebna popravila v skladu z garancijskimi pogoji. Vse spremembe ali modifikacije strojne ali programske opreme naprave, ki jih družba tedee ni odobrila, priporočila ali zagotovila, lahko razveljavijo garancijo.
- Ta naprava za pravilno delovanje potrebuje vir napajanja in povezavo Bluetooth(R). Za seznanjanje naprave z mostom tedee je za uporabo nekaterih funkcij naprave potrebna internetna povezava. Proizvajalec ni odgovoren za morebitne težave z dostopom do prostora, ki nastanejo zaradi pomanjkanja internetnega dostopa ali odpovedi ali izčrpanja vira napajanja.
- Ta naprava ni namenjena uporabi kot del domačega varnostnega sistema. Proizvajalec za napravo ne navaja nobenih protivlomnih lastnosti ali potrdil, certifikatov ali razredov protivlomne zaščite. Proizvajalec ni odgovoren za morebitno škodo/poškodbe, nastale zaradi kraje, vloma ali vdora, ki so posledica poškodbe, premagovanja ali nepooblaščne pridobitve nadzora nad napravo.
- Ta naprava lahko zahteva nakup dodatnih izdelkov, ki omogočajo nekatere njene funkcije. Če ste v dvomih, se obrnite na podporo tedee.
- Če napravo priključite na napajalnik, ki ne izpolnjuje specifikacij iz standardov EN 50081-1, EN 50082-1, UL508 in EN 60950, lahko izgubite garancijo.

#### **VZDRŽEVANJE**

- Pred čiščenjem izdelek izključite iz električnega omrežja. Na nobenem delu naprave ne uporabljajte nobenih maziv, čistil, polirnih sredstev ali osvežilcev zraka. Obrišite jo samo s suho krpo.

- Pri povezovanju naprave nikoli ne uporabljajte poškodovanih kablov.
- Ne poskušajte razstaviti kabla, saj lahko pride do električnega udara.

## **PRAVNE/OKOLJSKE OPOMBE**

### **IZJAVA EU O SKLADNOSTI**

Tedee Sp. z o.o. izjavlja, da je radijska naprava Tedee Dry Contact TDCV1.0 v skladu z Direktivo 2014/53/EU. Celotno besedilo izjave EU o skladnosti je na voljo na naslednjem spletnem naslovu: <https://tedee.com/compliance>.

### **WEEE / ROHS**

Da bi preprečili morebitne negativne vplive na okolje, se posvetujte z lokalnimi zakoni in predpisi o pravilnem odlaganju elektronskih naprav in baterij v vaši državi. Odstranjevanje baterij - če naprava Tedee vsebuje baterije, jih ne odlagajte med običajne gospodinjske odpadke. Oddajte jih na ustreznem mestu za recikliranje ali zbirnem mestu. Baterije, ki se uporabljajo v napravah tedee, ne vsebujejo živega srebra, kadmija ali svinca nad vrednostmi, določenimi v Direktivi 2006/66/ES. Odstranjevanje elektronike - naprave tedee ne odlagajte med običajne gospodinjske odpadke. Oddajte jo na ustreznem mestu za recikliranje ali zbirnem mestu.

### **BLUETOOTH®**

Besedna znamka in logotipi Bluetooth® so v lasti družbe Bluetooth SIG, Inc., zato jih družba Tedee Sp. z o.o. uporablja na podlagi licence. Druge blagovne znamke in trgovska imena so last njihovih lastnikov.

Google, Android in Google Play so blagovne znamke družbe Google LLC.

Apple in App Store sta blagovni znamki družbe Apple Inc. IOS je blagovna znamka ali registrirana blagovna znamka družbe Cisco v ZDA in drugih državah ter se uporablja na podlagi licence. Tedee® je registrirana blagovna znamka družbe Tedee Sp. z o.o. Copyright (C) 2022. Vse pravice pridržane.

## **GARANCIJA**

Omejena garancija za strojno opremo Tedee - Družba Tedee Sp. z o.o. jamči, da naprave Tedee nimajo napak v materialu in izdelavi za obdobje najmanj dveh let od datuma prvega nakupa na drobno. Tedee Sp. z o.o. ne prevzema odgovornosti za napačno uporabo naprav (vključno z načini polnjenja, ki niso opisani v tej knjižici), zlasti če je uporabnik izvedel kakršne koli spremembe ali modifikacije strojne ali programske opreme naprave, ki jih ni odobrila, priporočila ali zagotovila družba tedee. Celotne informacije o garanciji so na voljo na naslednji povezavi: [www.tedee.com/warranty](http://www.tedee.com/warranty)

## **GA | EOLAS SÁBHÁILTEACHTA**

RABHADH: Léigh gach treoirlíne agus rabhadh sábháilteachta. Mura gcloítear leis na treoirlínte agus na rabhaidh d'fhéadfadh turraing leictreach, imní agus / nó gortú tromchúiseach a bheith mar thoradh air. Coinnigh na treoracha seo le húsáid sa todhchaí.

Chun an leagan is déanaí de na treoracha seo a rochtain, tabhair cuairt ar: <https://tedee.com/>

## **RABHADH**

Ceangail an gléas ach amháin de réir na dtreoracha dá bhforáiltear sa lámhleabhar seo. Féadfaidh naisc mhíchuí a bheith ina chúis le tine nó turraing leictreach, damáiste a dhéanamh don fheiste agus barántas an táirge a chur ar neamhní. Má tá amhras ort, déan teagmháil le leictreoir cáilithe chun tacaíocht a fháil nó leis an monaróir.

## **CONTÚIRT! RIOSCA TURRAING LEICTREACH!**

NÁ cuir i dteagmháil le haschuir do shuiteáil gan insliú ceart (i. lámhainní rubair). Fiú nuair a bhíonn an gléas múchta, féadfaidh na haschuir a bheith fós beo (leictreachas a tharchur go gníomhach). Ba cheart an obair suiteála ar fad a dhéanamh i gcónaí agus an ciorcad cumhachta dícheangailte.

Ná cuir an gléas go díreach isteach in asraon leictreach nó i soláthar cumhachta 230V/110V riamh. Riosca ard leictreamharú agus/nó dóiteáin.

## NÁ

- Ná hoscail, modhnaigh ná díchoimeáil do ghléas ná a chuid gabhálaí.
- Ná déan féinseirbhís ar aon chuid den fheiste. Má theastaíonn deisiúcháin, déan teagmháil le tacaíocht theicniúil tedee ag <https://tedee.com/>
- Ná tumadh an gléas in aon leacht, uisce nó é a nochtadh do taise.
- Ná húsáid an gléas in aice le foinse teasa foircneach (cosúil le radaitheora nó simléir), foinse fuar, tine oscailte nó coinníollacha foircneacha eile.
- Ná húsáid an fheiste i dtimpeallacht ard-taise nó deannaigh, chomh maith le truailliú aeir ard. Bain úsáid as an gléas taobh istigh amháin.
- Ná cuir isteach aon rudaí miotail i oscailtí gléas agus bearnaí, ach amháin i gcás foircinn cábla nasctha de réir na dtreoracha.
- Ná láimhseáil aon chuid den fheiste nó a chuid gabhálaí le lámha fluich.
- Ná cuir brú ar cháblaí agus an gléas á nascadh thar an méid atá sonraithe ag an monaróir chun damáiste nó dífhoirmiú a chosc.
- Ná déan iarracht cáblaí a bhaint go héigeantach as a gcuid soicéid. I gcás trioblóide, déan teagmháil le tacaíocht teee .
- Ná bain an insliú ó na cáblaí ach amháin ag foircinn an chábla a úsáidtear i soicéid an fheiste.
- Ná shuiteáil an gléas laistigh de shroicheadh leanaí nó ainmhithe, más féidir. Má dhéanann ainmhí nó leanbh damáiste do shláine an fheiste (mar shampla, briseann an tithíocht), stop ag baint úsáide as an bhfeiste agus déan teagmháil le tacaíocht theicniúil an teidí .
- Níor cheart go n-úsáidfeadh leanaí faoi 13 bliana d'aois an gléas gan mhaoirseacht aosach.
- Ná roinn do dhintíúir logáil isteach iarratais Tedee ná tabhair cianrochtain ar d'áitreabh do dhaoine neamhúdaraíthe. Ní bheidh an monaróir faoi dhliteanas i leith damáiste a dhéanfar trí rochtain ar an áitreabh a thabhairt do phearsanra neamhúdaraíthe.

RABHADH: D'fhéadfadh teip theicniúil a bheith thíos le teagmháil thirim Tedee . mar sin seans nach mbeidh sé in ann do ghlas dorais a oscailt. Tabhair do ghuthán cliste agus eochair an ghlas dorais leat i gcónaí nó fág in áit inrochtana é ionas gur féidir an doras a dhíghlasáil de láimh i gcás earráide feiste den sórt sin.

## DÉAN

- Lean an lámhleabhar suiteála agus na réamhchúraimí sábháilteachta go dlúth. Má tá amhras ort, déan teagmháil le tacaíocht theicniúil teee .
- Má theastaíonn deisiúcháin, téigh i dteagmháil le tacaíocht theicniúil tedee .
- an voltas soláthair cumhachta atá sonraithe ag an teidí . Féadfaidh teip damáiste a dhéanamh don fheiste, nach bhfuil clúdaithe ag an bharántas.

## EOLAS EILE

- Mura leanann tú na moltaí atá sa lámhleabhar seo d'fhéadfadh sé a bheith contúirteach nó sárú ar an dlí a chur faoi deara. Níl an monaróir freagrach as aon chaillteanas nó damáiste a eascraíonn as gan na treoracha seo a leanúint.
- Tá an gléas seo sábháilte le húsáid faoi ghnáthchod iompair mí-úsáide intuartha go réasúnta. Má thugann tú aon chomharthaí earráide nó mífheidhm crua-earraí faoi deara, déan teagmháil le tacaíocht theicniúil an té atá ag fáil cabhrach. I gcás den sórt sin ba chóir an gléas seo a chur ar ais chuig an té le haghaidh deisiúcháin riachtanacha faoi na coinníollacha bharánta. D'fhéadfadh aon athruithe nó mionathruithe ar chrua-earraí nó bogearraí an ghléis nach bhfuil ceadaithe, molta nó soláthraithe ag an teidí do bharántas a chur ar neamhní.
- Teastaíonn foinse cumhachta agus nasc Bluetooth(R) ón ngléas seo le haghaidh oibriú cuí. Chun an gléas a phéireáil le droichead teidí tá gá le nasc Idirlín chun cuid de ghnéithe an ghléis a úsáid. Níl an monaróir freagrach as fadhbanna rochtana seomra a d'fhéadfadh a bheith ann de bharr easpa rochtana idirlín nó teip nó idiú na foinse cumhachta.
- Níl an gléas seo beartaithe lena húsáid mar chuid de chóras slándáta baile. Ní dhearbhaíonn an monaróir aon airíonna frith-bhuirgléireachta nó fianuithe, deimhnithe nó aicmí cosanta frith-bhuirgléireachta don fheiste. Ní bheidh an monaróir faoi dhliteanas i leith aon damáiste/díobhála a d'fhéadfadh a bheith

ann de bharr gadaíochta, buirgléireachta nó cur isteach de bharr damáiste, sárú nó smachtú neamhúdaraithe na feiste.

- Féadfaidh an gléas seo a cheangal ar tháirgí breise a cheannach chun cuid dá ghnéithe a chumasú. Má tá amhras ort, déan teagmháil le do thoil le tacaíocht teee .
- Má nasctar an fheiste le soláthar cumhachta nach gcomhlíonann na sonraíochtaí atá leagtha amach in EN 50081-1, EN 50082-1, UL508, agus EN 60950, féadfar an bharántas a chur ar neamhní.

### **COTHABHÁIL**

- Déan an táirge a dhícheangal ón soláthar cumhachta roimh ghlanadh. Ná húsáid aon bhealaithe, oibreáin ghilantacháin, snasna nó úiréirí aeir ar aon chuid den fheiste. Glan é le éadach tirim amháin.
- Ná húsáid cáblaí damáiste riamh agus an gléas á nascadh.
- Ná déan iarracht an cábla a dhíchóimeáil toisc go bhféadfadh sé seo turraing leictreach a chur ort.

### **NÓTAÍ DLÍ / COMHSHAOIL**

#### **DEARBHÚ COMHRÉIREACHTA AE**

Tedee Sp. Dearbhaíonn z oo leis seo go bhfuil an Tedee Dry Contact TDCV1. 0 feiste raidió i gcomhréir le Treoir 2014/53/AE. Tá téacs iomlán Dhearbhú Comhréireachta an AE ar fáil ag an seoladh idirlín seo a leanas: <https://tedee.com/compliance>.

#### **WEEE / ROHS**

Chun tionchar diúltach féideartha ar an gcomhshaol a chosc, téigh i gcomhairle le do dhúithe agus rialacháin áitiúla maidir le diúscairt chuif gléasanna leictreonacha agus cadhnaí i do thír féin. Diúscairt cadhnaí – má tá cadhnaí ar do ghléas teidí , ná cuir de láimh iad le dramhaíl rialta tí. Tabhair anonn iad go dtí an pointe athchúrsála nó bailithe cuí. Ní bhíonn mearcair, caidmiam ná luaidhe os cionn na leibhéal a shonraítear i dTreoir 2006/66/CE i gcadhnaí a úsáidtear i bhfeistí teite . Diúscairt leictreonaic - ná cuir do ghléas teidí le dramhaíl rialta tí. Tabhair anonn go dtí an pointe athchúrsála nó bailithe cuí é.

#### **BLUETOOTH®**

Inc. an focalmharc Bluetooth® agus na lógónna agus is le Tedee Sp. Tá z oo faoi cheadúnas. Is trádmharcanna agus trádaimneacha eile iad sin a n-úinéirí faoi seach.

Google, Android agus Google Play.

Is trádmharcanna de chuid Apple Inc iad Apple agus App Store. Is trádmharc nó trádmharc cláraithe de chuid Cisco sna Stáit Aontaithe agus i dtíortha eile é IOS agus úsáidtear é faoi cheadúnas.

Is trádmharc cláraithe é tedee ® de chuid Tedee Sp. z oo Cóipcheart (C) 2022. Gach ceart ar cosaint.

#### **BHARÁNTAS**

Tedee teoranta - Tedee Sp. barántaíonn z oo go bhfuil gléasanna teidí saor ó lochtanna crua-earraí in ábhair agus sa cheardaíocht ar feadh tréimhse nach lú ná 2 bhliain ó dháta an chéad cheannacháin mhiondíola. Tedee Sp. z oo ní ghlacann sé freagracht as mí-úsáid gléasanna (lena n-áirítear modhanna luchtaithe seachas mar a thuairiscítear sa leabhrán seo), go háirithe má dhéantar aon athruithe nó modhnuithe ar chrua-earraí nó ar bhogearraí an ghléis nach bhfuil formheasta, molta nó curtha ar fáil ag an té atá curtha ar fáil. á ghlacadh ag an úsáideoir. Tá faisnéis iomlán bharánta ar fáil ag an nasc seo a leanas: [www.tedee.com/warranty](http://www.tedee.com/warranty)

#### **MT | INFORMAZZJONI TAS-SIGURTÀ**

TWISSIJA: Aqra l-linji gwida u t-twissijiet tas-sigurtà kollha. In-nuqqas ta' segwitu tal-linji gwida u t-twissijiet jista' jirrizulta f'xokk elettriku, rabja, u/jew korriment serju. Żomm dawn l-istruzzjonijiet għall-użu fil-futur.

Bix taçċessa l-aħħar verżjoni l-aktar aġġornata ta' dawn l-istruzzjonijiet żur: <https://tedee.com/>

## TWISSIJA

Qabbad l-apparat biss skond l-istruzzjonijiet ipprovduti f'dan il-manwal. Konnessjonijiet mhux xierqa jistgħu jikkawżaw nar jew xokk elettriku, jagħmlu hsara lill- apparat u jhassru l-garanzija tal-prodott. Jekk għandek dubju, ikkuntattja elettricista kwalifikat għall-appoġġ jew lill-manifattur.

### PERIKLU! RISKJU TA' XOKK ELETTRIKU!

Tmissx l-outputs tal-installazzjoni tiegħek mingħajr insulazzjoni xierqa (jiġifieri ingwanti tal-gomma). Anke meta l-apparat ikun mitfi, l-outputs jistgħu jkunu għadhom haġġin (jitrażmettu b'mod attiv l-elettriku). Ix-xogħol kollu ta 'installazzjoni għandu DEJEM jitwettag biċ-ċirkwit tal-enerġija skonnnettjat.

QATT ipplaggja l-apparat direttament fi żbokk elettriku jew provvista ta 'enerġija 230V/110V. Riskju għoli ta' elettrokuzzjoni u/jew nar.

### M'GħANDEKX

- Tiftaħx, timmodifikax jew tiżżarma t-tagħmir tiegħek jew l-aċċessorji tiegħu.
- Tagħmilx self-service xi parti tal-apparat. Jekk huma meħtieġa tiswijiet, jekk jogħġbok ikkuntattja l-appoġġ tekniku ta 'tedee fuq <https://tedee.com/>
- Tgħaddix l-apparat f'xi likwidu, ilma jew tesponih għall-umdità.
- Tużax l-apparat qrib sors ta 'shana estrema (bħal radjatur jew ċmienil), sors kiesaħ, nar miftuħ jew kundizzjonijiet estremi oħra.
- Tużax l-apparat f'ambjent ta 'umdità għolja jew livelli ta' trab, kif ukoll tniġġis għoli ta 'l-arja. Uża l-apparat ġewwa biss.
- Daħħalx oġġett tal-metall fil-fethiet u l-vojt tal-apparat, hliet truf tal-kejbil konnessi skont l-istruzzjonijiet.
- M'għandekx timmaniġġja l-ebda parti tal-apparat jew l-aċċessorji tiegħu b'idejhom imxarrbin.
- Tapplikax pressjoni fuq kejbils waqt il-konnessjoni tal-apparat lil hinn minn dak speċifikat mill-manifattur biex tevita hsara jew deformazzjoni.
- Tippruvax tneħhi bil-forza l-kejbils mis-sokits tagħhom. F'każ ta 'inkwiet,

ikkuntattja l-appoġġ ta' tedee .

- Tneħhix l-insulazzjoni mill-kejbils hliet fit-truf tal-kejbil użati fis-sokits tal-apparat.
- Tinstallax l-apparat fejn tintlaħaq it-tfal jew l-annimali, jekk possibbli. Jekk annimal jew tifel jagħmel hsara lill-integrità tal-apparat (pereżempju, l-akkomodazzjoni tinkiser), waqqaf l-użu tal-apparat u ikkuntattja l-appoġġ tekniku ta 'tedee .
- L-apparat m'għandux jintuża minn tfal taħt it-13-il sena mingħajr sorveljanza ta' adulti.
- Taqsamx il-kredenzjali tal-login tal-applikazzjoni tiegħek Tedee jew tagħt access mill-bogħod għall-bini tiegħek lil persuni mhux awtorizzati. Il-manifattur m'għandux ikun responsabbli għall-hsara kkawżata mill-ghoti ta' access għall-bini lil persunal mhux awtorizzati.

TWISSIJA: Il-kuntatt xott Tedee jista 'jbati minn falliment tekniku, għalhekk jista' ma jkunx jista 'jiftaħ is-serratura tal-bieb tiegħek. Dejjem igorr l-ismartphone tiegħek u ċ-ċavetta tas-serratura tal-bieb miegħek jew halliha f' post aċċessibbli sabiex il-bieb ikun jista 'jinfetaħ manwalment f'każ ta' żball ta' apparat bħal dan.

### DO

- Segwi mill-qrib il-manwal tal-installazzjoni u l-prekawzjonijiet tas-sigurtà. Jekk għandek dubju, ikkuntattja l-appoġġ tekniku ta 'tedee .
- Jekk huma meħtieġa tiswijiet, jekk jogħġbok ikkuntattja l-appoġġ tekniku ta 'tedee .
- Uża biss il-vultaġġ tal-provvista tal-enerġija speċifikat minn tedee . Nuqqas jista 'jikkawża hsara lill-apparat, mhux kopert mill-garanzija.

### INFORMAZZJONI OĦRA

- Li ma ssegwix ir-rakkomandazzjonijiet inklużi f'dan il-manwal jista' jkun perikoluż jew jikkawża ksur tal-liġi. Il-manifattur mhux responsabbli għal kwalunkwe telf jew hsara li tirriżulta minn ma jsegwix dawn l-istruzzjonijiet.
- Dan l-apparat huwa sikur biex jintuża taħt kodiċi ta' kondotta operattiva ta' użu hażin normali u raġonevolment prevedibbli. Jekk tinnota xi sinjali ta' żbalji



jew ħsara fil-ħardwer, ikkuntattja l-appoġġ tekniku ta' tedee għall-ġħajnuna. F'każ bħal dan dan l-apparat għandu jintbagħat lura lil tedee għat-tiswijiet meħtieġa taħt il-kundizzjonijiet tal-garanzija. Kwalunkwe tibdil jew modifika għall-ħardwer jew is-softwer tal-apparat li mhumiex approvati, rakkomandati jew ipprovduti minn tedee jistgħu jħassru l-garanzija tiegħek.

- Dan l-apparat jeħtieġ sors ta' enerġija u konnessjoni Bluetooth(R) għal thaddim tajjeb. Sabiex tgħaqqad l-apparat ma' tedee bridge hija meħtieġa konnessjoni tal-Internet biex tuża xi whud mill-karatteristiċi tal-apparat. Il-manifattur mhumiex responsabbli għal problemi potenzjali ta' aċċess għall-kamra li jirriżultaw minn nuqqas ta' aċċess għall-internet jew falliment jew eżawriment tas-sors tal-enerġija.
- Dan l-apparat mhumiex maħsub biex jintuża bħala parti minn sistema ta' sigurtà tad-dar. Il-manifattur ma jiddikjara l-ebda proprjetajiet kontra s-serq jew attestazzjonijiet, ċertifikati jew klassijiet ta' protezzjoni kontra s-serq għall-apparat. Il-manifattur m'għandux ikun responsabbli għal kwalunkwe ħsara/korriment potenzjali mgarrba minħabba serq, serq jew intrużjoni li tirriżulta minn ħsara, jegħleb jew akkwist mhux awtorizzat tal-kontroll tal-apparat.
- Dan l-apparat jista' jeħtieġ ix-xiri ta' prodotti addizzjonali biex jippermetti xi whud mill-karatteristiċi tiegħu. Jekk għandek dubju, jekk jogħġbok ikkuntattja l-appoġġ ta' tedee .
- Il-konnessjoni tal-apparat ma' provvista tal-enerġija li ma tissodisfax l-ispeċifikazzjonijiet deskritti f'EN 50081-1, EN 50082-1, UL508, u EN 60950 tista' thassar il-garanzija.

#### **MANUTENZJONI**

- Skonnettja l-prodott mill-provvista tal-enerġija qabel it-tindif. Tużax lubrikanti, aġenti tat-tindif, lostri jew deodoranti għall-arja fuq kwalunkwe parti tal-apparat. Imsaħha b'carruta niexfa biss.
- Qatt tuża kejbils bil-ħsara meta tikkonnettja l-apparat.
- Tippruvax iżarma l-kejbil għax dan jista' jesponik għal xokk elettriku.

#### **NOTI LEGALI / AMBJENTALI**

##### **DIKJARAZZJONI TA' KONFORMITÀ TAL-UE**

Tedee Sp. z oo b'dan tiddikjara li t- Tedee Dry Contact TDCV1. 0 apparat tar-radju huwa skont id-Direttiva 2014/53/UE. It-test sħiħ tad-Dikjarazzjoni tal-Konformità tal-UE huwa disponibbli fl-indirizz tal-internet li ġej: <https://tedee.com/compliance>.

##### **WEEE / ROHS**

Biex tevita impatt negattiv potenzjali fuq l-ambjent, ikkonsulta l-liġijiet u r-regolamenti lokali tiegħek għar-rimi xieraq ta' apparat elettroniku u batteriji f'pajjiżek. Rimi tal-batteriji – jekk it-tagħmir tat-tedee tiegħek fih batteriji, tarmihomx mal-iskart domestiku regolari. Ghaddihom fil-punt xieraq tar-riċiklaġġ jew tal-ġbir. Il-batteriji użati fl- apparati tedee ma fihomx merkurju, kadmju jew ċomb 'il fuq mil-livelli speċifikati fid-Direttiva 2006/66/KE. Rimi ta' l-elettronika - tarmix it -tedee tiegħek ma' skart regolari tad-dar. Ghaddiha lill-punt xieraq tar-riċiklaġġ jew tal-ġbir.

##### **BLUETOOTH®**

Il-marka verbali u l-logos Bluetooth® huma proprjetà ta' Bluetooth SIG, Inc. u kwalunkwe użu ta' marki bħal dawn minn Tedee Sp. z oo huwa taħt liċenzja. Trademarks u ismijiet kummerċjali oħra huma daww tas-sidien rispettivi tagħhom.

Google, Android u Google Play huma trademarks ta' Google LLC.

Apple u App Store huma trademarks ta' Apple Inc. IOS hija trademark jew trademark reġistrata ta' Cisco fl-Istati Uniti u f'pajjiżi oħra u tintuża taħt liċenzja. tedee ® hija trademark reġistrata ta' Tedee Sp. z oo Copyright (C) 2022. Id-drittijiet kollha riżervati.

##### **GARANZIJA**

Tedee - Tedee Sp. z oo jiggarantixxi li l-apparati tedee huma ħielsa minn difetti fil-ħardwer fil-materjali u l-abbiltà għall-perjodu ta' mhux inqas minn sentejn mid-data tal-ewwel xiri bl-imnut. Tedee Sp. z oo ma jiħux responsabbiltà għall-

użu hażin tal-apparat (inklużi metodi ta' ċċarġjar minbarra dawk deskritti f'dan il-ktejjeb), speċjalment jekk xi tibdil jew modifika fil-ħardwer jew is-softwer tal-apparat li mhumiex approvati, rakkomandati jew ipprovduti minn tedee , ikunu ġew meħuda mill-utent. Informazzjoni sħiħa dwar il-garanzija hija disponibbli fil-link li ġejja: [www.tedee.com/warranty](http://www.tedee.com/warranty)