

GERDA®

PREMIUM
SECURITY
PRODUCTS



tedee
powered by GERDA

HARDWARE

LOCKS · CYLINDERS · PADLOCKS · ACCESSORIES



WWW.GERDA.PL

TABLE OF CONTENTS

tedee SMARTLOCK	4
LOCK CYLINDERS	6
PADLOCKS	40
MORTISE LOCKS	84
SURFACE MOUNTED LOCKS	100
DOOR CLOSERS	130
ESCUTCHEONS	138
ELECTRIC STRIKES	158
DOOR VIEWERS	172
MASTER KEY SYSTEM	178
BICYCLE LOCKS	180





tedee SMART LOCK

Tedee Smart Lock allows you to remotely control the lock along with access control from your smartphone.

Parameters

- compatible with SLR lock cylinder
- the ability to enter the apartment, home, office without having to search a traditional key
- automatic locking
- remote opening the lock for guests, family or courier from any place
- sharing the digital key once, for a certain period of time or without restrictions – all depending on the access control management settings
- using the application allows you to opt out of access cards
- reliable operation for many years after assembly
- performance – operation after a full charge for about 6 months
- fast charging – just one night to get the battery in full status
- security – the elements included in the set are certified and repeatedly subjected to rigorous technical tests, and all data is encrypted using TLS 1.3 with a 256-bit key, considered the most secure of all available on the market
- simple installation and quick configuration according to the individual needs of all household members or office users

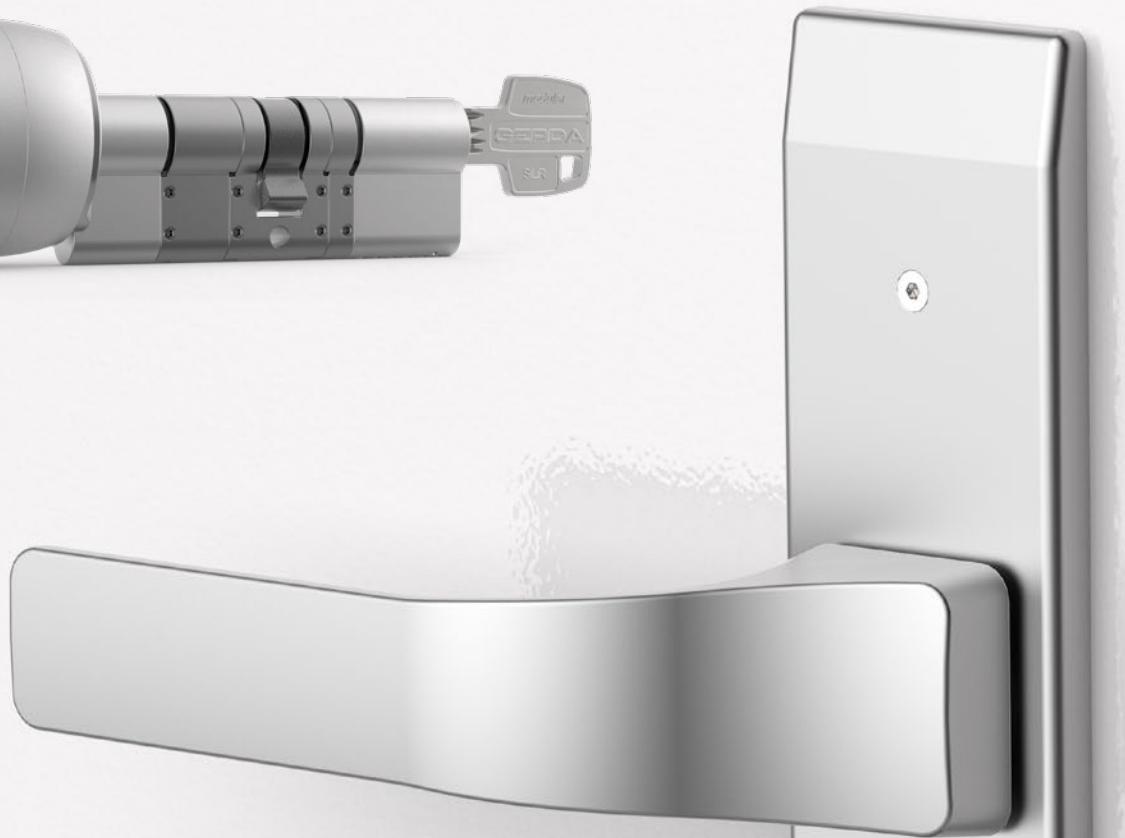
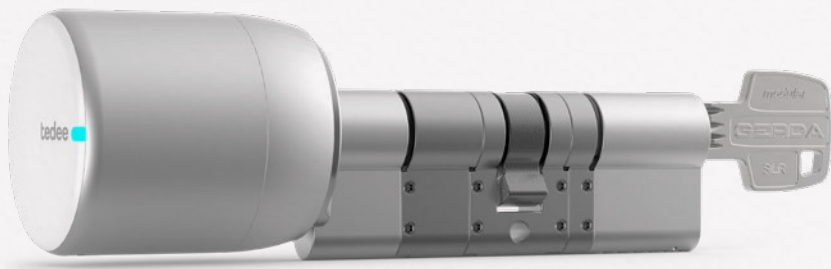


silver



graphite

Model	Name	EAN	Index
TLV1.0A	SMARTLOCK TEDEE SET TLV1.0A, silver with white button (set includes: tedee lock, micro USB charging cable, user's manual, allen key size 2, box)	5902203345337	0AGD10S0000.13000P
TLV1.0AHK	SMARTLOCK TEDEE TLV1.0A HK (silver with white button)	5902203345399	0AGD10S0000.03000P
TLV1.0BHK	SMARTLOCK TEDEE TLV1.0B HK (graphite with black button)	5902203364871	0AGD10S0000.01000P



Your key in your smartphone

Safe, comfy, intelligent.
Meet tedee and forget
about traditional keys.



01




LOCK CYLINDERS

SLR key-key	8
SLR key-thumb turn	10
PRO SYSTEM X key-key	12
PRO SYSTEM X key-thumb turn	14
RIM PRO SYSTEM	16
EVO key-key	18
EVO key-thumb turn	20
H PLUS key-key	22
H PLUS key-thumb turn	24
RIM H PLUS	26
WKE1 key-key	28
WKE1 key-thumb turn	32
RIM E1	36
CL 2037	38
CL 2041	39



SLR key-key

Universal modular euro cylinder allows easy adjustment of the length of the cylinder to the door thickness.

-  Security class: 6
-  Gerda product security class: 12
-  Number of keys: 5

Parameters

Colours

Certificate

1	6	0	B	0	C	6	D
---	---	---	---	---	---	---	---

Cylinder classification acc. to standard PN-EN 1303:2015
Certificate issued by the Institute of Precision Mechanics



satin nickel

Specification

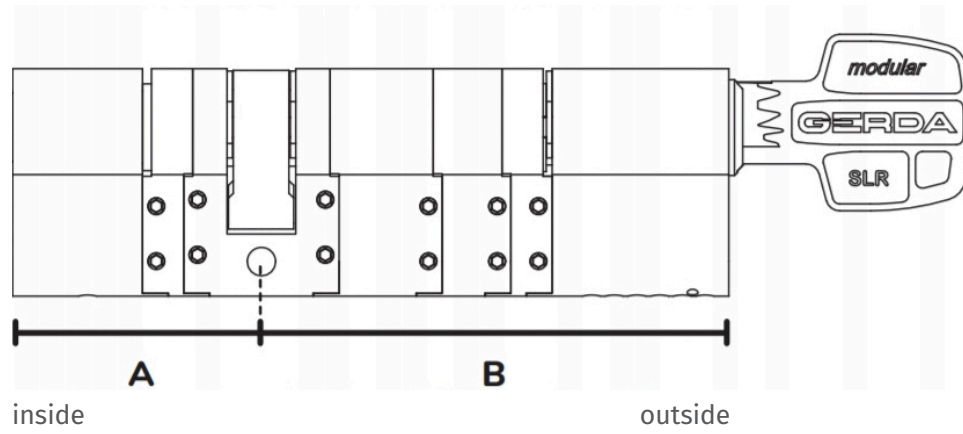
- modular euro cylinder for self-assembly
- modular construction of the cylinder (modules with lengths: 6 mm, 10 mm and 15 mm) allows to adjust the length of the cylinder to the door leaf thickness (maximum 136 mm)
- highest security class – 6 according to PN-EN 1303:2015
- body made of brass
- highest burglary resistance – D
- 6 active pins
- equipped with anti-drill pins for the body and tumbler and a ball in the front of the tumbler
- equipped with anti-spike pins (mushroom and roller valves)
- proprietary key profile
- the set includes modules (2x 6 mm, 2x10 mm or 2x15 mm), a code card, five keys, set of allen keys, mounting screw

Options available

- Keyed Alike system*
- Master Key system*
- two key profile variants available*

* available on request order




Technical data



Model	Dimensions (mm)			EAN	Index
	A	B	C		
SLR-M 68/68 modular euro profile cylinder, key-key, satin nickel, box	68	68	136	0WKSFS06868.9005LP	5902203358313

SLR key-thumb turn

Universal modular euro cylinder allows easy adjustment of the length of the cylinder to the door thickness.

-  Security class: 6
-  Gerda product security class: 12
-  Number of keys: 5



Parameters

Colours

Certificate

1	6	0	B	0	C	6	D
---	---	---	---	---	---	---	---

Cylinder classification acc. to standard PN-EN 1303:2015
Certificate issued by the Institute of Precision Mechanics



satin nickel

Specification

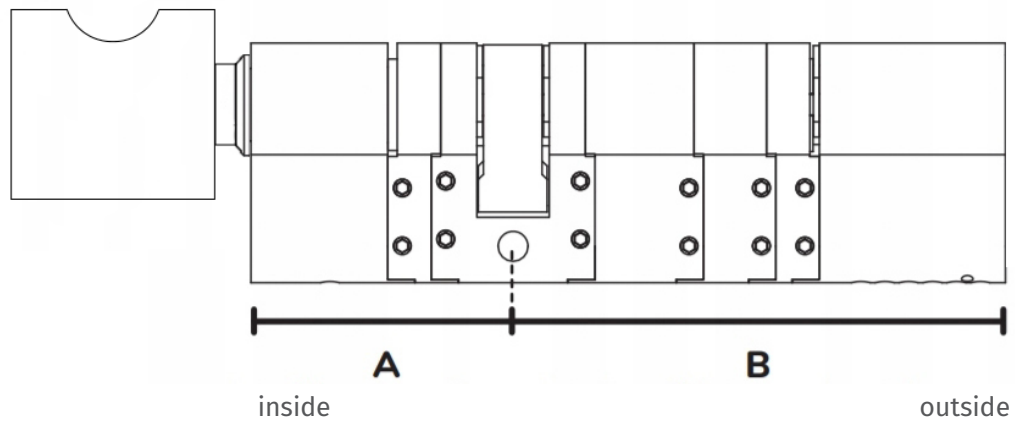
- modular euro cylinder for self-assembly
- modular construction of the cylinder (modules with lengths: 6 mm, 10 mm and 15 mm) allows to adjust the length of the cylinder to the door leaf thickness (maximum 136 mm)
- highest security class – 6 according to PN-EN 1303:2015
- body made of brass
- highest burglary resistance – D
- 6 active pins
- equipped with anti-drill pins for the body and tumbler and a ball in the front of the tumbler
- equipped with anti-spike pins (mushroom and roller valves)
- proprietary key profile
- the set includes modules (2x 6 mm, 2x10 mm or 2x15 mm), a code card, five keys, set of allen keys, mounting screw

Options available

- Keyed Alike system*
- Master Key system*
- two key profile variants available*
- key-thumb turn version: compatibility with the **tedee** smart lock*

* available on request order

Technical data






Model	Dimensions (mm)			EAN	Index
	A	B	C		
SLR-M G61/68 modular euro profile cylinder, key-thumb turn, satin nickel, box	61	68	129	0WKSFG06168.9005LP	5902203358306



PRO SYSTEM X key-key

PREMIUM anti-burglary euro cylinder. A new cylinder design with against opening by means of the “bumping” method and effective solutions protecting against drilling out.

-  Security class: 6D
-  Gerda product security class: 12
-  Number of keys: 5

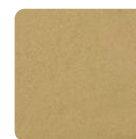
Parameters

Colours

Certificate

1	6	0	B	0	C	6	D
---	---	---	---	---	---	---	---

Cylinder classification acc. to standard PN-EN 1303:2015
Certificate issued by the Institute of Precision Mechanics



brass



satine nickel

Specification

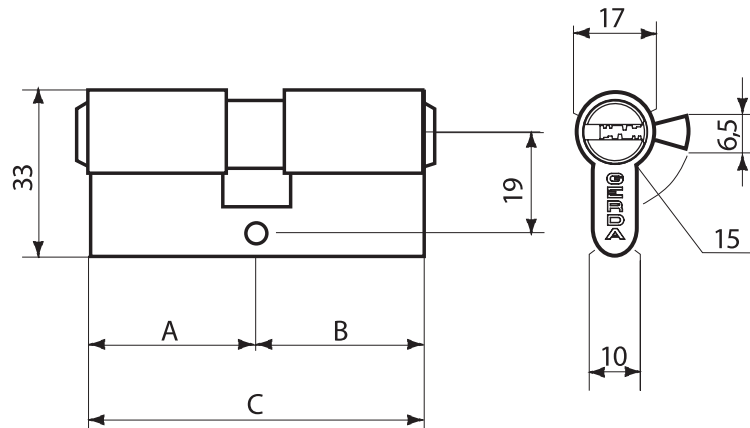
- highest durability of the mechanism – over 100 000 cycles
- more than 2 700 000 possible key code combinations
- highest security class – 6 according to PN-EN 1303:2015
- body made of brass
- highest burglary resistance – D
- steel hardened nickel-plated anti-drilling pin in the body of the cylinder
- highest corrosion resistance
- certified for fire resistance
- anti-bumping protection
- double diameter pins
- 6 active pins at 7 heights
- the ANTI-SNAP function (vertical notches on the body) is a production-defined point of breakage of the cylinder in case there is an attempt to forcibly break it out
- additional steel pins to reinforce the area around the mounting hole of the cylinder
- in the key-thumb turn version – compatibility with the **tedee** smart lock
- euro half cylinder with adjustable cam available
- the set includes: code card, five keys and a fixing screw

Options available

- Keyed Alike system*
- Master Key system*
- emergency function*

* available on request order

Technical data



Model	Dimensions (mm)			EAN	Index
	A	B	C		
PRO SYSTEM X 30/30 euro profile cylinder, key-key, cam, satin nickel, box/blister	30	30	60	5901407514945	0WKPXS03030.90050P
PRO SYSTEM X 30/35 euro profile cylinder, key-key, cam, satin nickel, box/blister	30	35	65	5901407514983	0WKPXS03035.90050P
PRO SYSTEM X 30/40 euro profile cylinder, key-key, cam, satin nickel, box/blister	30	40	70	5901407515027	0WKPXS03040.90050P
PRO SYSTEM X 30/45 euro profile cylinder, key-key, cam, satin nickel, box/blister	30	45	75	5902203176597	0WKPXS03045.90050P
PRO SYSTEM X 30/50 euro profile cylinder, key-key, cam, satin nickel, box/blister	30	50	80	5901407514808	0WKPXS03050.90050P
PRO SYSTEM X 35/40 euro profile cylinder, key-key, cam, satin nickel, box/blister	35	40	75	5901407514822	0WKPXS03540.90050P
PRO SYSTEM X 35/45 euro profile cylinder, key-key, cam, satin nickel, box/blister	35	45	80	5901407514846	0WKPXS03545.90050P
PRO SYSTEM X 35/50 euro profile cylinder, key-key, cam, satin nickel, box/blister	35	50	85	5902203176634	0WKPXS03550.90050P
PRO SYSTEM X 35/55 euro profile cylinder, key-key, cam, satin nickel, box/blister	35	55	90	5902203183557	0WKPXS03555.90050P
PRO SYSTEM X 40/40 euro profile cylinder, key-key, cam, satin nickel, box/blister	40	40	80	5902203176474	0WKPXS04040.90050P
PRO SYSTEM X 40/50 euro profile cylinder, key-key, cam, satin nickel, box/blister	40	50	90	5901407516727	0WKPXS04050.90050P
PRO SYSTEM X 30/10 euro profile cylinder, key-key, cam, satin nickel, box/blister	30	10	40	5902203183328	0WKPXS03010.90050P
PRO SYSTEM X Z30/35 euro profile cylinder, key-key, cog wheel cam, satin nickel, box/blister	30	35	65	5902203184431	0WKPXZ03035.90050P
PRO SYSTEM X Z30/40 euro profile cylinder, key-key, cog wheel cam, satin nickel, box/blister	30	40	70	5902203176559	0WKPXZ03040.90050P
PRO SYSTEM X Z30/45 euro profile cylinder, key-key, cog wheel cam, satin nickel, box/blister	30	45	75	5901407514907	0WKPXZ03045.90050P
PRO SYSTEM X Z35/45 euro profile cylinder, key-key, cog wheel cam, satin nickel, box/blister	35	45	80	5902203354292	0WKPXZ03545.90050P
PRO SYSTEM X Z35/50 euro profile cylinder, key-key, cog wheel cam, satin nickel, box/blister	35	50	85	5901407516888	0WKPXZ03550.90050P

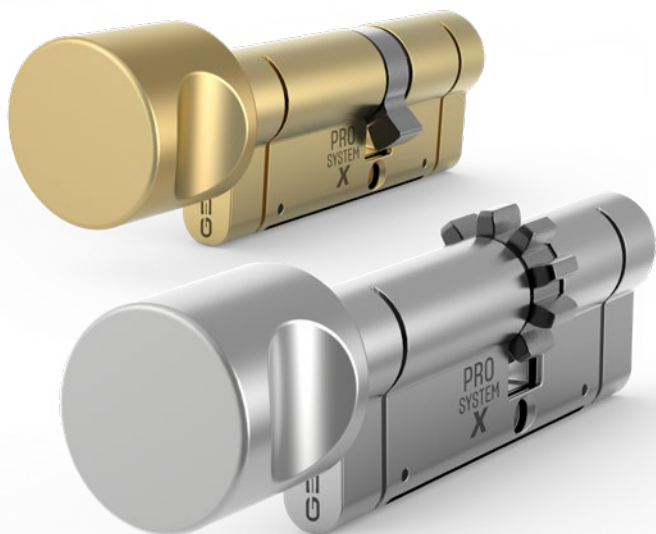
PRO SYSTEM X key-thumb turn

PREMIUM anti-burglary euro cylinder. A new cylinder design with against opening by means of the “bumping” method and effective solutions protecting against drilling out.

🔑 Security class: 6D

🛡️ Gerda product security class: 12

🔑 Number of keys: 5



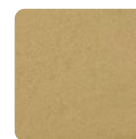
Parameters

Colours

Certificate

1	6	0	B	0	C	6	D
---	---	---	---	---	---	---	---

Cylinder classification acc. to standard PN-EN 1303:2015
Certificate issued by the Institute of Precision Mechanics



brass



satine nickel

Specification

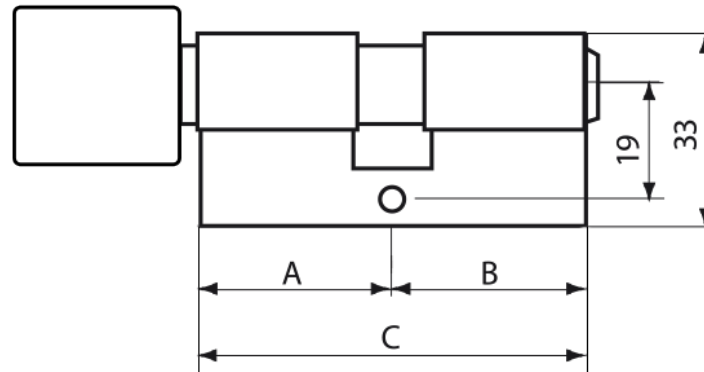
- highest durability of the mechanism – over 100 000 cycles
- more than 2 700 000 possible key code combinations
- highest security class – 6 according to PN-EN 1303:2015
- body made of brass
- highest burglary resistance – D
- steel hardened nickel-plated anti-drilling pin in the body of the cylinder
- highest corrosion resistance
- certified for fire resistance
- anti-bumping protection
- double diameter pins
- 6 active pins at 7 heights
- the ANTI-SNAP function (vertical notches on the body) is a production-defined point of breakage of the cylinder in case there is an attempt to forcibly break it out
- additional steel pins to reinforce the area around the mounting hole of the cylinder
- compatibility with the tedee smart lock
- half cylinder with adjustable driver available
- the set includes: code card, five keys and a fixing screw

Options available

- Keyed Alike system*
- Master Key system*
- emergency function*

* available on request order

Technical data






Model	Dimensions (mm)			EAN	Index
	A	B	C		
PRO SYSTEM X G30/30 euro profile cylinder, key-thumb turn, cam, satin nickel, box/blister	30	30	60	5901407515645	0WKPXG03030.9005RP
PRO SYSTEM X G30/35 euro profile cylinder, key-thumb turn, cam, satin nickel, box/blister	30	35	65	5901407514761	0WKPXG03035.9005RP
PRO SYSTEM X G30/40 euro profile cylinder, key-thumb turn, cam, satin nickel, box/blister	30	40	70	5902203181348	0WKPXG03040.9005RP
PRO SYSTEM X G30/45 euro profile cylinder, key-thumb turn, cam, satin nickel, box/blister	30	45	75	5902203176375	0WKPXG03045.9005RP
PRO SYSTEM X G30/50 euro profile cylinder, key-thumb turn, cam, satin nickel, box/blister	30	50	80	5901407515584	0WKPXG03050.9005RP
PRO SYSTEM X G35/30 euro profile cylinder, key-thumb turn, cam, satin nickel, box/blister	35	30	65	5901407515782	0WKPXG03530.9005RP
PRO SYSTEM X G35/35 euro profile cylinder, key-thumb turn, cam, satin nickel, box/blister	35	35	70	5901407515829	0WKPXG03535.9005RP
PRO SYSTEM X G35/40 euro profile cylinder, key-thumb turn, cam, satin nickel, box/blister	35	40	75	5901407514785	0WKPXG03540.9005RP
PRO SYSTEM X G35/50 euro profile cylinder, key-thumb turn, cam, satin nickel, box/blister	35	50	85	5902203176672	0WKPXG03550.9005RP
PRO SYSTEM X G35/55 euro profile cylinder, key-thumb turn, cam, satin nickel, box/blister	35	55	90	5901407515942	0WKPXG03555.9005RP
PRO SYSTEM X G40/30 euro profile cylinder, key-thumb turn, cam, satin nickel, box/blister	40	30	70	5902203181744	0WKPXG04030.9005RP
PRO SYSTEM X G40/50 euro profile cylinder, key-thumb turn, cam, satin nickel, box/blister	40	50	90	5902203181805	0WKPXG04050.9005RP
PRO SYSTEM X G40/55 euro profile cylinder, key-thumb turn, cam, satin nickel, box/blister	40	55	95	5901407516048	0WKPXG04055.9005RP
PRO SYSTEM X G40/60 euro profile cylinder, key-thumb turn, cam, satin nickel, box/blister	40	60	100	5901407516109	0WKPXG04060.9005RP
PRO SYSTEM X G45/30 euro profile cylinder, key-thumb turn, cam, satin nickel, box/blister	45	30	75	5902203176412	0WKPXG04530.9005RP
PRO SYSTEM X G45/35 euro profile cylinder, key-thumb turn, cam, satin nickel, box/blister	45	35	80	5902203181942	0WKPXG04535.9005RP
PRO SYSTEM X G45/50 euro profile cylinder, key-thumb turn, cam, satin nickel, box/blister	45	50	95	5902203181980	0WKPXG04550.9005RP
PRO SYSTEM X G45/55 euro profile cylinder, key-thumb turn, cam, satin nickel, box/blister	45	55	100	5902203182000	0WKPXG04555.9005RP
PRO SYSTEM X G50/30 euro profile cylinder, key-thumb turn, cam, satin nickel, box/blister	50	30	80	5901407516222	0WKPXG05030.9005RP
PRO SYSTEM X G50/35 euro profile cylinder, key-thumb turn, cam, satin nickel, box/blister	50	35	85	5902203176696	0WKPXG05035.9005RP
PRO SYSTEM X G50/40 euro profile cylinder, key-thumb turn, cam, satin nickel, box/blister	50	40	90	5902203182147	0WKPXG05040.9005RP
PRO SYSTEM X G50/50 euro profile cylinder, key-thumb turn, cam, satin nickel, box/blister	50	50	100	5902203182185	0WKPXG05050.9005RP
PRO SYSTEM X G50/55 euro profile cylinder, key-thumb turn, cam, satin nickel, box/blister	50	55	105	5902203182208	0WKPXG05055.9005RP
PRO SYSTEM X G55/35 euro profile cylinder, key-thumb turn, cam, satin nickel, box/blister	55	35	90	5901407516369	0WKPXG05535.9005RP
PRO SYSTEM X ZG45/30 euro profile cylinder, key-thumb turn, cog wheel cam, satin nickel, box/blister	45	30	75	5902203186459	0WKPXZG4530.9005RP



RIM PRO SYSTEM

PREMIUM anti-burglary Rim cylinder. A new cylinder design with against opening by means of the “bumping” method and effective solutions protecting against drilling out.

-  Security class: 6D
-  Gerda product security class: 12
-  Number of keys: 5

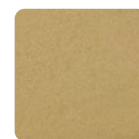
Parameters

Colours

Certificate

1	6	0	0	0	B	6	2/D
---	---	---	---	---	---	---	-----

Cylinder classification acc. to standard PN-EN 1303:2007
Certificate issued by the Institute of Precision Mechanics



brass



satine nickel

Specification

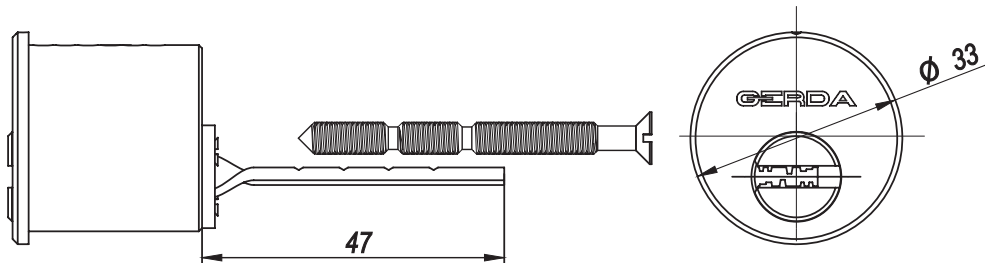
- highest security class – 6 according to PN-EN 1303:2007
- more than 2 700 000 possible key code combinations
- highest durability of the mechanism – over 100 000 cycles
- body made of brass
- highest burglary resistance – D
- steel hardened nickel-plated anti-drilling pin in the body of the cylinder
- high corrosion resistance
- anti-bumping protection
- double diameter pins
- the set includes: code card, five keys and two fixing screws

Options available

- Keyed Alike system*
- Master Key system*
- compatibility of the cylinder with ZN, ZG and ZX1000 surface mounted locks series*

* available on request order

Technical data






Model	EAN	Index
RIM PRO SYSTEM Rim cylinder, satin nickel, box	5901407515607	0WRPR000000.97050P
RIM PRO SYSTEM Rim cylinder, satin nickel, vacuum skin pack	5902203175835	0WRPR000000.97050S
RIM PRO SYSTEM Rim cylinder, brass, box	5901407515621	0WRPR000000.98050P
RIM PRO SYSTEM Rim cylinder, brass, vacuum skin pack	5901407515546	0WRPR000000.98050S



EVO key-key

Modern anti-burglary euro cylinder with a key made of 'new silver'. The cylinder is highly resistant to manipulation by means of hand tools. It also has hardened elements to protect the cylinder mechanism against drilling.

-  **Security class: 5**
-  **Gerda product security class: 10**
-  **Number of keys: 5**

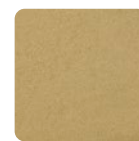
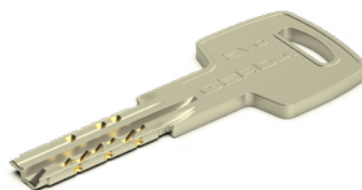
Parameters

Colours

Certificate

1	6	0	B	0	C	5	C
---	---	---	---	---	---	---	---

Cylinder classification acc. to standard PN-EN 1303:2015
Certificate issued by the Institute of Precision Mechanics



brass

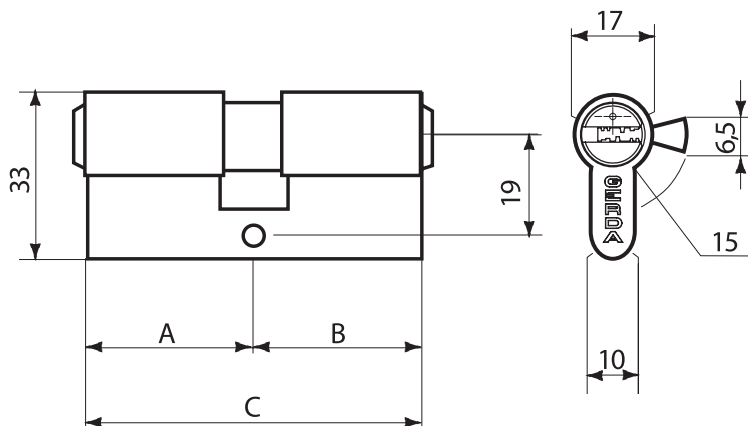


satine nickel

Specification

- high security class – 5 according to PN-EN 1303:2015
- certified for fire resistance – according to the classification assessment of the Institute of Building Technology
- highest durability of the mechanism – over 100 000 cycles
- more than 9 300 000 possible key code combinations
- body made of brass
- burglary resistance – class C
- two steel hardened nickel-plated anti-drilling pin in the body of the cylinder

- 12 pins: 9 in two rows and 3 side pins
- high resistance to corrosion
- anti-bumping protection
- hardened pins
- the set includes: code card, five keys made of 'new silver' with high durability and a fixing screw



Options available

- Keyed Alike system*
- emergency function – for selected cylinders*

* available on request order

Model	Dimensions (mm)			EAN	Index
	A	B	C		
EVO 30/30 euro profile cylinder, key-key, cam, satin nickel, box	30	30	60	590140751204 0	0WKEVS03030.90050P
EVO 30/35 euro profile cylinder, key-key, cam, satin nickel, box	30	35	65	590140751206 4	0WKEVS03035.90050P
EVO 30/40 euro profile cylinder, key-key, cam, satin nickel, box	30	40	70	590140751208 8	0WKEVS03040.90050P
EVO 30/45 euro profile cylinder, key-key, cam, satin nickel, box	30	45	75	590140751210 1	0WKEVS03045.90050P
EVO 30/50 euro profile cylinder, key-key, cam, satin nickel, box	30	50	80	590140751212 5	0WKEVS03050.90050P
EVO 30/55 euro profile cylinder, key-key, cam, satin nickel, box	30	55	85	590140751214 9	0WKEVS03055.90050P
EVO 35/35 euro profile cylinder, key-key, cam, satin nickel, box	35	35	70	590140751216 3	0WKEVS03535.90050P
EVO 35/40 euro profile cylinder, key-key, cam, satin nickel, box	35	40	75	590140751218 7	0WKEVS03540.90050P
EVO 35/45 euro profile cylinder, key-key, cam, satin nickel, box	35	45	80	590140751220 0	0WKEVS03545.90050P
EVO 35/50 euro profile cylinder, key-key, cam, satin nickel, box	35	50	85	590140751222 4	0WKEVS03550.90050P
EVO 35/55 euro profile cylinder, key-key, cam, satin nickel, box	35	55	90	590140751224 8	0WKEVS03555.90050P
EVO 40/40 euro profile cylinder, key-key, cam, satin nickel, box	40	40	80	590140751226 2	0WKEVS04040.90050P
EVO 40/45 euro profile cylinder, key-key, cam, satin nickel, box	40	45	85	590140751228 6	0WKEVS04045.90050P
EVO 40/50 euro profile cylinder, key-key, cam, satin nickel, box	40	50	90	590140751230 9	0WKEVS04050.90050P
EVO 45/45 euro profile cylinder, key-key, cam, satin nickel, box	45	45	90	590140751232 3	0WKEVS04545.90050P
EVO Z 30/45 euro profile cylinder, key-key, cog wheel cam, satin nickel, box	30	45	75	590220317721 1	0WKEVZ03045.90050P
EVO Z 35/50 euro profile cylinder, key-key, cog wheel cam, satin nickel, box	35	50	85	590140751468 6	0WKEVZ03550.90050P
EVO Z 45/55 euro profile cylinder, key-key, cog wheel cam, satin nickel, box	45	55	100	590140750431 1	0WKEVZ04555.90050P




EVO Sets	Dimensions (mm)	EAN	Index
EVO 30/35 + G35/30 two euro profile cylinders set, cam, satin nickel, box	by model	590140751260 6	0WKEVKW3035.90050P
EVO 30/40 + G30/40 two euro profile cylinders set, cam, satin nickel, box	by model	590140751262 0	0WKEVKZ3040.90050P
EVO 30/40 + G40/30 two euro profile cylinders set, cam, satin nickel, box	by model	590140751264 4	0WKEVKW3040.90050P
EVO 30/45 + G30/45 two euro profile cylinders set, cam, satin nickel, box	by model	590140751266 8	0WKEVKZ3045.90050P
EVO 30/45 + G45/30 two euro profile cylinders set, cam, satin nickel, box	by model	590140751268 2	0WKEVKW3045.90050P
EVO 30/50 + G50/30 two euro profile cylinders set, cam, satin nickel, box	by model	590220317377 0	0WKEVKW3050.90050P
EVO 30/50 + G50/35 two euro profile cylinders set, cam, satin nickel, box	by model	590220330112 8	0WKEVKW3050.90052P
EVO 30/50 + G35/50 two euro profile cylinders set, cam, satin nickel, box	by model	590220317379 4	0WKEVKZ3050.90052P
EVO 35/50 + G35/50 two euro profile cylinders set, cam, satin nickel, box	by model	590140751270 5	0WKEVKZ3550.90050P
EVO 35/50 + G50/35 two euro profile cylinders set, cam, satin nickel, box	by model	590140751272 9	0WKEVKW3550.90050P
EVO 40/50 + G40/50 two euro profile cylinders set, cam, satin nickel, box	by model	590140751274 3	0WKEVKZ4050.90050P
EVO 40/50 + G40/55 two euro profile cylinders set, cam, satin nickel, box	by model	590220317391 6	0WKEVKZ4050.90052P
EVO 40/50 + G50/40 two euro profile cylinders set, cam, satin nickel, box	by model	590140751276 7	0WKEVKW4050.90050P
EVO 40/50 + G50/40 two euro profile cylinders set, cam, satin nickel, box	by model	590140751472 3	0WKEVLZ3550.90050P
EVO 35/50 + G35/50 two euro profile cylinders set, cog wheel cam, satin nickel, box	by model	590140751470 9	0WKEVLW3550.90050P
EVO 35/50 + G50/35 two euro profile cylinders set, cog wheel cam, satin nickel, box	by model	590220319607 6	0WKEVLW4555.90050P
EVO 45/55 + G55/45 two euro profile cylinders set, cog wheel cam, satin nickel, box	by model	590220319607 6	0WKEVLW4555.90050P



EVO

key-thumb turn

Modern anti-burglary euro cylinder with a key made of 'new silver'. The cylinder is highly resistant to manipulation by means of hand tools. It also has hardened elements to protect the cylinder mechanism against drilling.

-  **Security class: 5**
-  **Gerda product security class: 10**
-  **Number of keys: 5**

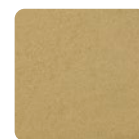
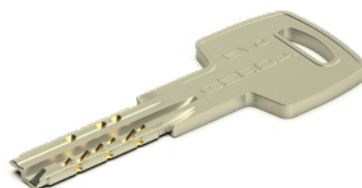
Parameters

Colours

Certificate

1	6	0	B	0	C	5	C
---	---	---	---	---	---	---	---

Cylinder classification acc. to standard PN-EN 1303:2015
Certificate issued by the Institute of Precision Mechanics



brass



satine nickel

Specification

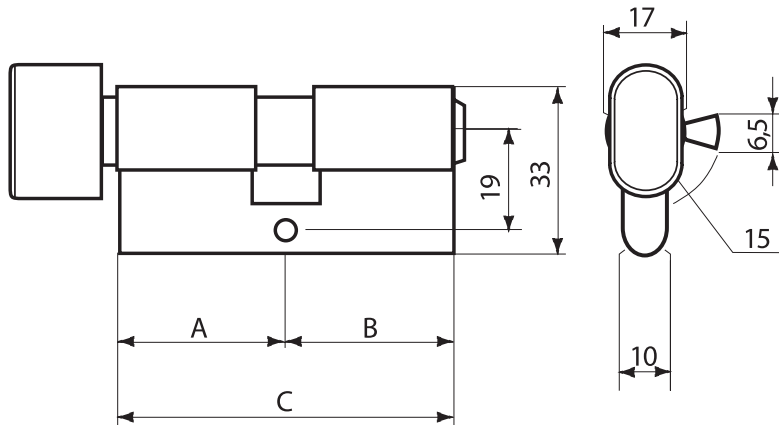
- high security class – 5 according to PN-EN 1303:2015
- certified for fire resistance – according to the classification assessment of the Institute of Building Technology
- highest durability of the mechanism – over 100 000 cycles
- more than 9 300 000 possible key code combinations
- body made of brass
- burglary resistance – class C
- two steel hardened nickel-plated anti-drilling pin in the body of the cylinder
- 12 pins: 9 in two rows and 3 side pins
- high resistance to corrosion
- anti-bumping protection
- hardened pins
- the set includes: code card, five keys made of 'new silver' with high durability and a fixing screw

Options available

- Keyed Alike system*
- emergency function – for selected cylinders*

* available on request order

Technical data






Model	Dimensions (mm)			EAN	Index
	A	B	C		
EVO G30/30 euro profile cylinder, key-thumb turn, cam, satin nickel, box	30	30	60	590140751234 7	0WKEVG03030.90050P
EVO G30/35 euro profile cylinder, key-thumb turn, cam, satin nickel, box	30	35	65	59014051236 1	0WKEVG03035.90050P
EVO G30/40 euro profile cylinder, key-thumb turn, cam, satin nickel, box	30	40	70	590140751238 5	0WKEVG03040.90050P
EVO G30/45 euro profile cylinder, key-thumb turn, cam, satin nickel, box	30	45	75	590140751240 8	0WKEVG03045.90050P
EVO G35/30 euro profile cylinder, key-thumb turn, cam, satin nickel, box	35	30	65	590140751242 2	0WKEVG03530.90050P
EVO G35/35 euro profile cylinder, key-thumb turn, cam, satin nickel, box	35	35	70	590140751244 6	0WKEVG03535.90050P
EVO G35/50 euro profile cylinder, key-thumb turn, cam, satin nickel, box	35	50	85	590140751246 0	0WKEVG03550.90050P
EVO G40/30 euro profile cylinder, key-thumb turn, cam, satin nickel, box	40	30	70	590140751248 4	0WKEVG04030.90050P
EVO G40/50 euro profile cylinder, key-thumb turn, cam, satin nickel, box	40	50	90	590140751250 7	0WKEVG04050.90050P
EVO G40/55 euro profile cylinder, key-thumb turn, cam, satin nickel, box	40	55	95	590140751464 8	0WKEVG04055.90050P
EVO G45/30 euro profile cylinder, key-thumb turn, cam, satin nickel, box	45	30	75	590140751252 1	0WKEVG04530.90050P
EVO G45/55 euro profile cylinder, key-thumb turn, cam, satin nickel, box	45	55	100	590140750434 2	0WKEVG04555.90050P
EVO G50/35 euro profile cylinder, key-thumb turn, cam, satin nickel, box	50	35	85	590140751254 5	0WKEVG05035.90050P
EVO G50/30 euro profile cylinder, key-thumb turn, cam, satin nickel, box	50	30	80	590140751256 9	0WKEVG05030.90050P
EVO G55/40 euro profile cylinder, key-thumb turn, cam, satin nickel, box	55	40	95	590140751466 2	0WKEVG05540.90050P
EVO G55/45 euro profile cylinder, key-thumb turn, cam, satin nickel, box	55	45	100	590220319717 2	0WKEVG05545.90050P



H PLUS key-key

H Plus is an euro profile cylinder with reversible keys.

-  Security class: 3
-  Gerda product security class: 7
-  Number of keys: 5

Parameters

Certificate

1	6	0	0	0	B	3	0
---	---	---	---	---	---	---	---

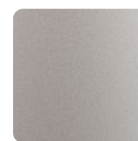
Cylinder classification acc. to standard PN-EN 1303:2015-07
Certificate issued by the Institute of Precision Mechanics

Specification

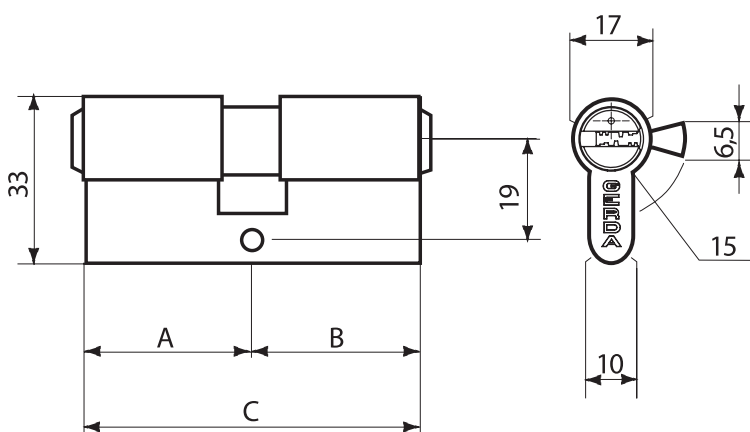
- key code security – class 3
- 6 active pins
- highest durability of the mechanism – over 100 000 cycles
- body made of brass
- protection against drilling
- high corrosion resistance
- the set includes five keys and a fixing screw
- NEW: cylinder sets in Keyed Alike system (key-key and key-thumb turn)*



Colours



satin nickel



Options available

- Keyed Alike system*

* available on request order

Model	Dimensions (mm)			EAN	Index
	A	B	C		
H PLUS 27/35 euro profile cylinder ZM, key-key, cam, satin nickel, blister	27	35	62	5902203176832	0WKHPS02735.9005UB
H PLUS 30/30 euro profile cylinder ZM, key-key, cam, satin nickel, blister	30	30	60	5902203176856	0WKHPS03030.9005UB
H PLUS 30/40 euro profile cylinder ZM, key-key, cam, satin nickel, blister	30	40	70	5902203176894	0WKHPS03040.9005UB
H PLUS 30/45 euro profile cylinder ZM, key-key, cam, brass, blister	30	45	75	5902203176917	0WKHPS03045.9005UB
H PLUS 35/35 euro profile cylinder ZM, key-key, cam, satin nickel, blister	35	35	70	5902203176955	0WKHPS03535.9005UB
H PLUS 35/55 euro profile cylinder ZM, key-key, cam, satin nickel, blister	35	55	90	5902203377512	0WKHPS03555.9005UB
H PLUS 35/60 euro profile cylinder ZM, key-key, cam, satin nickel, blister	35	60	95	5902203377550	0WKHPS03560.9005UB
H PLUS 40/40 euro profile cylinder ZM, key-key, cam, satin nickel, blister	40	40	80	5902203377475	0WKHPS04040.9005UB
H PLUS 40/45 euro profile cylinder ZM, key-key, cam, satin nickel, blister	40	45	85	5902203377529	0WKHPS04045.9005UB
H PLUS 40/50 euro profile cylinder ZM, key-key, cam, satin nickel, blister	40	50	90	5902203377482	0WKHPS04050.9005UB
H PLUS 40/55 euro profile cylinder ZM, key-key, cam, satin nickel, blister	40	55	95	5902203377505	0WKHPS04055.9005UB
H PLUS 40/60 euro profile cylinder ZM, key-key, cam, satin nickel, blister	40	60	100	5902203377574	0WKHPS04060.9005UB
H PLUS 45/45 euro profile cylinder ZM, key-key, cam, satin nickel, blister	45	45	90	5902203377543	0WKHPS04545.9005UB
H PLUS 45/50 euro profile cylinder ZM, key-key, cam, satin nickel, blister	45	50	95	5902203377536	0WKHPS04550.9005UB
H PLUS 45/55 euro profile cylinder ZM, key-key, cam, satin nickel, blister	45	55	100	5902203377499	0WKHPS04555.9005UB
H PLUS 50/50 euro profile cylinder ZM, key-key, cam, satin nickel, blister	50	50	100	5902203377567	0WKHPS05050.9005UB

H PLUS Sets	Dimensions (mm)	EAN	Index
H PLUS 30/40 + G40/30 two euro profile cylinders ZM set, satin nickel, box	by model	5902203377710	0WKHPKW3040.9005UB
H PLUS 30/40 + G30/40 two euro profile cylinders ZM set, satin nickel, box	by model	5902203377703	0WKHPKZ3040.9005UB
H PLUS 30/45 + G45/30 two euro profile cylinders ZM set, satin nickel, box	by model	5902203384220	0WKHPKW3045.9005UB
H PLUS 30/45 + G30/45 two euro profile cylinders ZM set, satin nickel, box	by model	5902203384237	0WKHPKZ3045.9005UB
H PLUS 30/50 + G50/30 two euro profile cylinders ZM set, satin nickel, box	by model	5902203377758	0WKHPKW3050.9005UB
H PLUS 30/50 + G30/50 two euro profile cylinders ZM set, satin nickel, box	by model	5902203377727	0WKHPKZ3050.9005UB
H PLUS 40/50 + G50/40 two euro profile cylinders ZM set, satin nickel, box	by model	5902203377734	0WKHPKW4050.9005UB
H PLUS 40/50 + G40/50 two euro profile cylinders ZM set, satin nickel, box	by model	5902203377741	0WKHPKZ4050.9005UB



H PLUS key-thumb turn

H Plus is an euro profile cylinder with reversible keys.

- 🔑 Security class: 3
- 🛡️ Gerda product security class: 7
- 🔑 Number of keys: 5

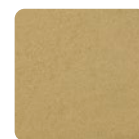
Parameters

Colours

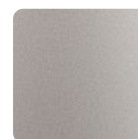
Certificate

1	6	0	0	0	B	3	0
---	---	---	---	---	---	---	---

Cylinder classification acc. to standard PN-EN 1303:2015-07
Certificate issued by the Institute of Precision Mechanics



brass



satin nickel

Specification

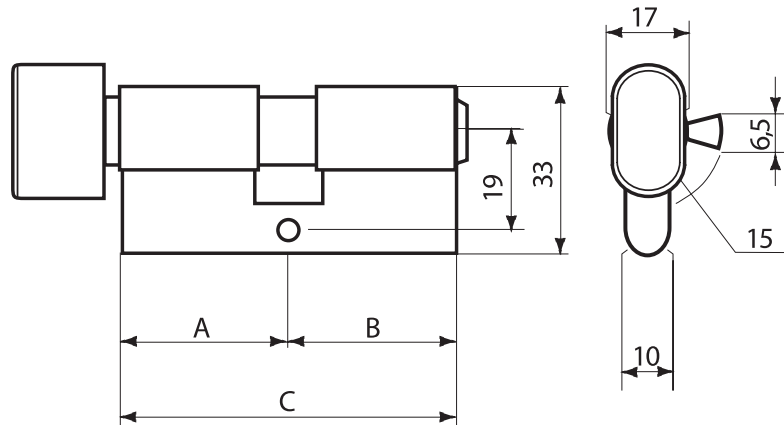
- key code security – class 3
- 6 active pins
- highest durability of the mechanism – over 100 000 cycles
- body made of brass
- protection against drilling
- high corrosion resistance
- the set includes five keys and a fixing screw
- NEW: cylinder sets in Keyed Alike system (key-key and key-thumb turn)*

Options available

- Keyed Alike system*

* available on request order

Technical data






Model	Dimensions (mm)			EAN	Index
	A	B	C		
H PLUS G30/30 euro profile cylinder ZM, key-thumb turn, cam, satin nickel, blister	30	30	60	5902203377581	0WKHPG03030.9005UB
H PLUS G30/35 euro profile cylinder ZM, key-thumb turn, cam, satin nickel, blister	30	35	65	5902203176719	0WKHPG03035.9005UB
H PLUS G30/40 euro profile cylinder ZM, key-thumb turn, cam, satin nickel, blister	30	40	70	5902203377598	0WKHPG03040.9005UB
H PLUS G35/30 euro profile cylinder ZM, key-thumb turn, cam, satin nickel, blister	35	30	65	5902203176771	0WKHPG03530.9005UB
H PLUS G35/45 euro profile cylinder ZM, key-thumb turn, cam, satin nickel, blister	35	45	80	5902203377604	0WKHPG03545.9005UB
H PLUS G35/50 euro profile cylinder ZM, key-thumb turn, cam, satin nickel, blister	35	50	85	5902203377611	0WKHPG03550.9005UB
H PLUS G40/30 euro profile cylinder ZM, key-thumb turn, cam, satin nickel, blister	40	30	70	5902203377628	0WKHPG04030.9005UB
H PLUS G40/50 euro profile cylinder ZM, key-thumb turn, cam, satin nickel, blister	40	50	90	5902203377635	0WKHPG04050.9005UB
H PLUS G40/55 euro profile cylinder ZM, key-thumb turn, cam, satin nickel, blister	40	55	95	5902203377642	0WKHPG04055.9005UB
H PLUS G45/55 euro profile cylinder ZM, key-thumb turn, cam, satin nickel, blister	45	55	100	5902203377666	0WKHPG04555.9005UB
H PLUS G50/35 euro profile cylinder ZM, key-thumb turn, cam, satin nickel, blister	50	35	85	5902203377673	0WKHPG05035.9005UB
H PLUS G50/40 euro profile cylinder ZM, key-thumb turn, cam, satin nickel, blister	50	40	90	5902203377659	0WKHPG05040.9005UB
H PLUS G55/40 euro profile cylinder ZM, key-thumb turn, cam, satin nickel, blister	55	40	95	5902203377680	0WKHPG05540.9005UB
H PLUS G55/45 euro profile cylinder ZM, key-thumb turn, cam, satin nickel, blister	55	45	100	5902203377697	0WKHPG05545.9005UB



RIM H PLUS

RIM H Plus is a Rim cylinder with reversible keys used in surface mounted locks.

-  Security class: 3
-  Gerda product security class: 7
-  Number of keys: 4

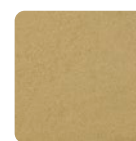
Parameters

Colours

Certificate

1	6	0	0	0	B	3	0
---	---	---	---	---	---	---	---

Cylinder classification acc. to standard PN-EN 12320:2013
Certificate issued by the Institute of Precision Mechanics



brass



satin nickel

Specification

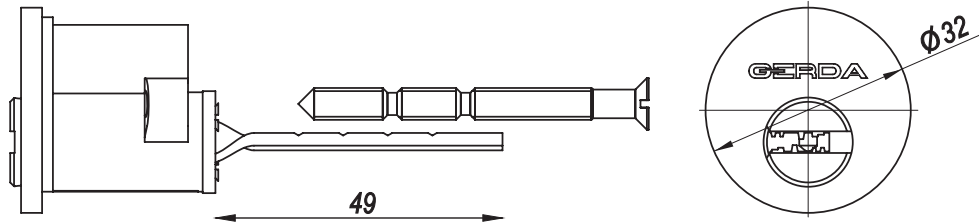
- key code security – class 3
- 6 active ratchets
- steel hardened nickel-plated anti-drilling pin in the body of the cylinder
- highest durability of the mechanism – over 100 000 cycles
- body made of brass
- high corrosion resistance
- the set includes four keys and two fixing screws

Options available

- Keyed Alike system*
- compatibility of the cylinder with ZN and ZG surface mounted locks series*

* available on request order

Technical data



Model	EAN	Index
RIM H PLUS Rim cylinder, satin nickel, vacuum skin pack	5902203177075	0WRHP000000.90040S
RIM H PLUS Rim cylinder, brass, vacuum skin pack	5902203177099	0WRHP000000.98040S

WKE 1 key-key

Basic brass euro cylinder compatible with a wide range of locks.

- 🔑 Security class: 2
- 🛡️ Gerda product security class: 6
- 🔑 Number of keys: 3



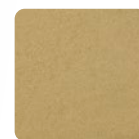
Parameters

Colours

Certificate

1	6	0	B	0	C	2	0
---	---	---	---	---	---	---	---

Cylinder classification acc. to standard PN-EN 1303:2015-07
Certificate issued by the Institute of Precision Mechanics



brass



satin nickel

Specification

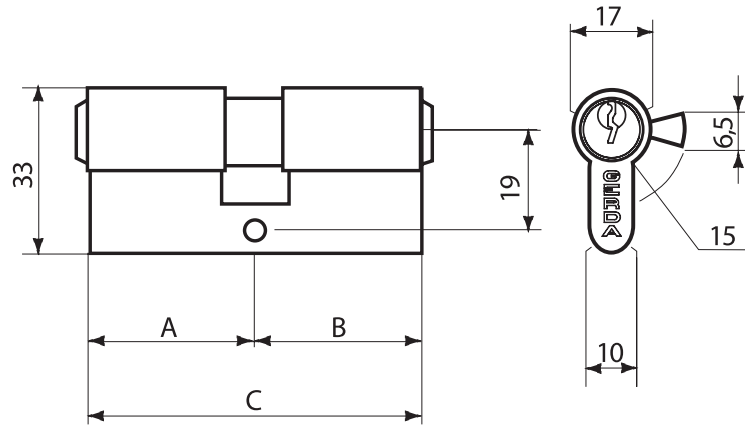
- key code security – class 2
- 5 active ratchets
- highest durability of the mechanism – over 100 000 cycles
- certified for fire resistance
- body made of brass
- high corrosion resistance
- the set includes three keys and a fixing screw

Options available

- Keyed Alike system*
- additional number of keys*

* available on request order

Technical data



Model	Dimensions (mm)			EAN	Index
	A	B	C		
WKE1 25/25 euro profile cylinder, key-key, cam, satin nickel, box	25	25	50	5902203173534	0WKE1S02525.90030P
WKE1 25/25 euro profile cylinder, key-key, cam, brass, box	25	25	50	5902203173558	0WKE1S02525.98030P
WKE1 25/30 euro profile cylinder, key-key, cam, satin nickel, box	25	30	55	5902203175514	0WKE1S02530.90030P
WKE1 25/30 euro profile cylinder, key-key, cam, brass, box	25	30	55	5902203175491	0WKE1S02530.98030P
WKE1 25/35 euro profile cylinder, key-key, cam, satin nickel, box	25	35	60	5902203175538	0WKE1S02535.90030P
WKE1 25/40 euro profile cylinder, key-key, cam, satin nickel, box	25	40	65	5902203175552	0WKE1S02540.90030P
WKE1 28/36 euro profile cylinder, key-key, cam, satin nickel, box	28	36	64	5906726600027	0WKE1S02836.90030P
WKE1 28/36 euro profile cylinder, key-key, cam, brass, box	28	36	64	5906726600034	0WKE1S02836.98030P
WKE1 30/10 euro profile cylinder, key-key, cam, satin nickel, box	30	10	40	5907620082858	0WKE1S03010.90030P
WKE1 30/10 euro profile cylinder, key-key, cam, brass, box	30	10	40	5907620082841	0WKE1S03010.98030P
WKE1 30/30 euro profile cylinder, key-key, cam, satin nickel, box	30	30	60	5907620082872	0WKE1S03030.90030P
WKE1 30/30 euro profile cylinder, key-key, cam, brass, box	30	30	60	5907620082889	0WKE1S03030.98030P
WKE1 30/35 euro profile cylinder, key-key, cam, satin nickel, box	30	35	65	5907620082919	0WKE1S03035.90030P
WKE1 30/35 euro profile cylinder, key-key, cam, brass, box	30	35	65	5907620082926	0WKE1S03035.98030P
WKE1 30/40 euro profile cylinder, key-key, cam, satin nickel, box	30	40	70	5907620082957	0WKE1S03040.90030P
WKE1 30/40 euro profile cylinder, key-key, cam, brass, box	30	40	70	5907620082964	0WKE1S03040.98030P
WKE1 30/45 euro profile cylinder, key-key, cam, satin nickel, box	30	45	75	5907620083015	0WKE1S03045.90030P
WKE1 30/45 euro profile cylinder, key-key, cam, brass, box	30	45	75	5907620083008	0WKE1S03045.98030P
WKE1 30/50 euro profile cylinder, key-key, cam, satin nickel, box	30	50	80	5907620083053	0WKE1S03050.90030P
WKE1 30/50 euro profile cylinder, key-key, cam, brass, box	30	50	80	5907620083046	0WKE1S03050.98030P
WKE1 30/55 euro profile cylinder, key-key, cam, satin nickel, box	30	55	85	5907620083091	0WKE1S03055.90030P
WKE1 30/55 euro profile cylinder, key-key, cam, brass, box	30	55	85	5907620083084	0WKE1S03055.98030P
WKE1 30/60 euro profile cylinder, key-key, cam, satin nickel, box	30	60	90	5902203175576	0WKE1S03060.90030P
WKE1 35/10 euro profile cylinder, key-key, cam, satin nickel, box	35	10	45	5907620083114	0WKE1S03510.90030P
WKE1 35/10 euro profile cylinder, key-key, cam, brass, box	35	10	45	5907620083107	0WKE1S03510.98030P
WKE1 35/35 euro profile cylinder, key-key, cam, satin nickel, box	35	35	70	5907620083152	0WKE1S03535.90030P
WKE1 35/35 euro profile cylinder, key-key, cam, brass, box	35	35	70	5907620083145	0WKE1S03535.98030P

Model	Dimensions (mm)			EAN	Index
	A	B	C		
WKE1 35/40 euro profile cylinder, key-key, cam, satin nickel, box	35	40	75	5907620083190	OWKE1S03540.90030P
WKE1 35/40 euro profile cylinder, key-key, cam, brass, box	35	40	75	5907620083183	OWKE1S03540.98030P
WKE1 35/45 euro profile cylinder, key-key, cam, satin nickel, box	35	45	80	5907620083237	OWKE1S03545.90030P
WKE1 35/45 euro profile cylinder, key-key, cam, brass, box	35	45	80	5907620083220	OWKE1S03545.98030P
WKE1 35/50 euro profile cylinder, key-key, cam, satin nickel, box	35	50	85	5907620083275	OWKE1S03550.90030P
WKE1 35/50 euro profile cylinder, key-key, cam, brass, box	35	50	85	5907620083268	OWKE1S03550.98030P
WKE1 35/55 euro profile cylinder, key-key, cam, satin nickel, box	35	55	90	5907620083299	OWKE1S03555.90030P
WKE1 35/55 euro profile cylinder, key-key, cam, brass, box	35	55	90	5907620083282	OWKE1S03555.98030P
WKE1 35/60 euro profile cylinder, key-key, cam, satin nickel, box	35	60	95	5902203175590	OWKE1S03560.90030P
WKE1 40/40 euro profile cylinder, key-key, cam, satin nickel, box	40	40	80	5907620083374	OWKE1S04040.90030P
WKE1 40/40 euro profile cylinder, key-key, cam, brass, box	40	40	80	5907620083367	OWKE1S04040.98030P
WKE1 40/45 euro profile cylinder, key-key, cam, satin nickel, box	40	45	85	5907620083411	OWKE1S04045.90030P
WKE1 40/45 euro profile cylinder, key-key, cam, brass, box	40	45	85	5907620083404	OWKE1S04045.98030P
WKE1 40/50 euro profile cylinder, key-key, cam, satin nickel, box	40	50	90	5907620083435	OWKE1S04050.90030P
WKE1 40/50 euro profile cylinder, key-key, cam, brass, box	40	50	90	5907620083428	OWKE1S04050.98030P
WKE1 45/45 euro profile cylinder, key-key, cam, satin nickel, box	45	45	90	5907620083510	OWKE1S04545.90030P
WKE1 45/45 euro profile cylinder, key-key, cam, brass, box	45	45	90	5907620083503	OWKE1S04545.98030P
WKE1 45/50 euro profile cylinder, key-key, cam, satin nickel, box	45	50	95	5902203175613	OWKE1S04550.90030P
WKE1 45/55 euro profile cylinder, key-key, cam, satin nickel, box	45	55	100	5902203175637	OWKE1S04555.90030P
WKE1 50/50 euro profile cylinder, key-key, cam, satin nickel, box	50	50	100	5902203173572	OWKE1S05050.90030P
WKE1 55/10 euro profile cylinder, key-key, cam, satin nickel, box	55	10	65	5907620083596	OWKE1S05510.90030P
WKE1 55/10 euro profile cylinder, key-key, cam, brass, box	55	10	65	5907620083589	OWKE1S05510.98030P
WKE1 Z30/40 euro profile cylinder, key-key, cog wheel cam, brass, box	30	40	70	5907620082995	OWKE1Z03040.98030P
WKE1 Z35/50 euro profile cylinder, key-key, cog wheel cam, brass, box	35	50	85	5906726699946	OWKE1Z03550.98030P
WKE1 25/25 euro profile cylinder, key-key, cam, brass, blister	25	25	50	5902203178386	OWKE1S02525.98030B
WKE1 25/25 euro profile cylinder, key-key, cam, satin nickel, blister	25	25	50	5902203178423	OWKE1S02525.90030B
WKE1 25/30 euro profile cylinder, key-key, cam, brass, blister	25	30	55	5902203178409	OWKE1S02530.98030B
WKE1 25/30 euro profile cylinder, key-key, cam, satin nickel, blister	25	30	55	5902203180174	OWKE1S02530.90030B
WKE1 25/35 euro profile cylinder, key-key, cam, satin nickel, blister	25	35	60	5902203180198	OWKE1S02535.90030B
WKE1 25/40 euro profile cylinder, key-key, cam, satin nickel, blister	25	40	65	5902203180211	OWKE1S02540.90030B
WKE1 28/36 euro profile cylinder, key-key, cam, brass, blister	28	36	64	5901407510817	OWKE1S02836.98030B
WKE1 28/36 euro profile cylinder, key-key, cam, satin nickel, blister	28	36	64	5901407510831	OWKE1S02836.90030B
WKE1 30/10 euro profile cylinder, key-key, cam, brass, blister	30	10	40	5901407511159	OWKE1S03010.98030B
WKE1 30/10 euro profile cylinder, key-key, cam, satin nickel, blister	30	10	40	5902203179352	OWKE1S03010.90030B
WKE1 30/30 euro profile cylinder, key-key, cam, brass, blister	30	30	60	5907620082865	OWKE1S03030.98030B
WKE1 30/30 euro profile cylinder, key-key, cam, satin nickel, blister	30	30	60	5901407511173	OWKE1S03030.90030B
WKE1 30/35 euro profile cylinder, key-key, cam, brass, blister	30	35	65	5901407511012	OWKE1S03035.98030B

Model	Dimensions (mm)			EAN	Index
	A	B	C		
WKE1 30/35 euro profile cylinder, key-key, cam, satin nickel, blister	30	35	65	5901407511036	0WKE1S03035.90030B
WKE1 30/40 euro profile cylinder, key-key, cam, brass, blister	30	40	70	5901407511197	0WKE1S03040.98030B
WKE1 30/40 euro profile cylinder, key-key, cam, satin nickel, blister	30	40	70	5901407511050	0WKE1S03040.90030B
WKE1 30/45 euro profile cylinder, key-key, cam, brass, blister	30	45	75	5901407511074	0WKE1S03045.98030B
WKE1 30/45 euro profile cylinder, key-key, cam, satin nickel, blister	30	45	75	5901407510978	0WKE1S03045.90030B
WKE1 30/50 euro profile cylinder, key-key, cam, brass, blister	30	50	80	5901407510992	0WKE1S03050.98030B
WKE1 30/50 euro profile cylinder, key-key, cam, satin nickel, blister	30	50	80	5901407511210	0WKE1S03050.90030B
WKE1 30/55 euro profile cylinder, key-key, cam, brass, blister	30	55	85	5902203178164	0WKE1S03055.98030B
WKE1 30/55 euro profile cylinder, key-key, cam, satin nickel, blister	30	55	85	5902203178140	0WKE1S03055.90030B
WKE1 30/60 euro profile cylinder, key-key, cam, satin nickel, blister	30	60	90	5902203180235	0WKE1S03060.90030B
WKE1 35/10 euro profile cylinder, key-key, cam, brass, blister	35	10	45	5902203178188	0WKE1S03510.98030B
WKE1 35/10 euro profile cylinder, key-key, cam, satin nickel, blister	35	10	45	5902203178485	0WKE1S03510.90030B
WKE1 35/35 euro profile cylinder, key-key, cam, brass, blister	35	35	70	5902203175118	0WKE1S03535.98030B
WKE1 35/35 euro profile cylinder, key-key, cam, satin nickel, blister	35	35	70	5901407511098	0WKE1S03535.90030B
WKE1 35/40 euro profile cylinder, key-key, cam, brass, blister	35	40	75	5902203175057	0WKE1S03540.98030B
WKE1 35/40 euro profile cylinder, key-key, cam, satin nickel, blister	35	40	75	5901407511234	0WKE1S03540.90030B
WKE1 35/45 euro profile cylinder, key-key, cam, brass, blister	35	45	80	5902203178201	0WKE1S03545.98030B
WKE1 35/45 euro profile cylinder, key-key, cam, satin nickel, blister	35	45	80	5901407511258	0WKE1S03545.90030B
WKE1 35/50 euro profile cylinder, key-key, cam, brass, blister	35	50	85	5902203175095	0WKE1S03550.98030B
WKE1 35/50 euro profile cylinder, key-key, cam, satin nickel, blister	35	50	85	5901407511272	0WKE1S03550.90030B
WKE1 35/55 euro profile cylinder, key-key, cam, brass, blister	35	55	90	5902203175071	0WKE1S03555.98030B
WKE1 35/55 euro profile cylinder, key-key, cam, satin nickel, blister	35	55	90	5901407511296	0WKE1S03555.90030B
WKE1 40/40 euro profile cylinder, key-key, cam, brass, blister	40	40	80	5902203178225	0WKE1S04040.98030B
WKE1 40/40 euro profile cylinder, key-key, cam, satin nickel, blister	40	40	80	5901407511319	0WKE1S04040.90030B
WKE1 40/45 euro profile cylinder, key-key, cam, brass, blister	40	45	85	5902203178249	0WKE1S04045.98030B
WKE1 40/45 euro profile cylinder, key-key, cam, satin nickel, blister	40	45	85	5901407511333	0WKE1S04045.90030B
WKE1 40/50 euro profile cylinder, key-key, cam, brass, blister	40	50	90	5901407511111	0WKE1S04050.98030B
WKE1 40/50 euro profile cylinder, key-key, cam, satin nickel, blister	40	50	90	5901407511357	0WKE1S04050.90030B
WKE1 45/45 euro profile cylinder, key-key, cam, brass, blister	45	45	90	5902203178706	0WKE1S04545.98030B
WKE1 45/45 euro profile cylinder, key-key, cam, satin nickel, blister	45	45	90	5901407511371	0WKE1S04545.90030B
WKE1 45/50 euro profile cylinder, key-key, cam, satin nickel, blister	45	50	95	5902203327746	0WKE1S04550.90030B
WKE1 45/55 euro profile cylinder, key-key, cam, satin nickel, blister	45	55	100	5902203327760	0WKE1S04555.90030B
WKE1 50/50 euro profile cylinder, key-key, cam, satin nickel, blister	50	50	100		0WKE1S05050.90030B
WKE1 55/10 euro profile cylinder, key-key, cam, brass, blister	55	10	65	5902203179376	0WKE1S05510.98030B
WKE1 55/10 euro profile cylinder, key-key, cam, satin nickel, blister	55	10	65	5902203180372	0WKE1S05510.90030B
WKE1 Z30/40 euro profile cylinder, key-key, cog wheel cam, brass, blister	30	40	70	5901407511135	0WKE1Z03040.98030B
WKE1 Z35/50 euro profile cylinder, key-key, cog wheel cam, brass, blister	35	50	85	5902203180259	0WKE1Z03550.98030B



WKE 1 key-thumb turn

Basic brass euro cylinder compatible with a wide range of locks.

- 🔑 Security class: 2
- 🛡️ Gerda product security class: 6
- 🔑 Number of keys: 3

Parameters

Colours

Certificate

1	6	0	B	0	C	2	0
---	---	---	---	---	---	---	---

Cylinder classification acc. to standard PN-EN 1303:2015-07
Certificate issued by the Institute of Precision Mechanics



brass



satin nickel

Specification

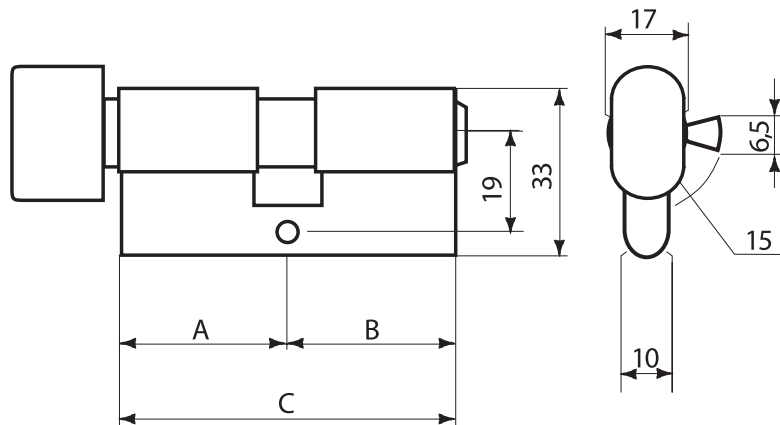
- key code security – class 2
- 5 active ratchets
- highest durability of the mechanism – over 100 000 cycles
- certified for fire resistance
- body made of brass
- high corrosion resistance
- the set includes three keys and a fixing screw

Options available

- Keyed Alike system*
- additional number of keys*

* available on request order

Technical data



Model	Dimensions (mm)			EAN	Index
	A	B	C		
WKE1 G28/43 euro profile cylinder, key-thumb turn, cam, satin nickel, box	28	43	71	5906726600041	0WKE1G02843.90030P
WKE1 G28/43 euro profile cylinder, key-thumb turn, cam, brass, box	28	43	71	5906726600058	0WKE1G02843.98030P
WKE1 G30/30 euro profile cylinder, key-thumb turn, cam, satin nickel, box	30	30	60	5907620082902	0WKE1G03030.90030P
WKE1 G30/30 euro profile cylinder, key-thumb turn, cam, brass, box	30	30	60	5907620082896	0WKE1G03030.98030P
WKE1 G30/35 euro profile cylinder, key-thumb turn, cam, satin nickel, box	30	35	65	5907620082940	0WKE1G03035.90030P
WKE1 G30/35 euro profile cylinder, key-thumb turn, cam, brass, box	30	35	65	5907620082933	0WKE1G03035.98030P
WKE1 G30/40 euro profile cylinder, key-thumb turn, cam, satin nickel, box	30	40	70	5907620082988	0WKE1G03040.90030P
WKE1 G30/40 euro profile cylinder, key-thumb turn, cam, brass, box	30	40	70	5907620082971	0WKE1G03040.98030P
WKE1 G30/45 euro profile cylinder, key-thumb turn, cam, satin nickel, box	30	45	75	5907620083022	0WKE1G03045.90030P
WKE1 G30/45 euro profile cylinder, key-thumb turn, cam, brass, box	30	45	75	5907620083039	0WKE1G03045.98030P
WKE1 G30/50 euro profile cylinder, key-thumb turn, cam, satin nickel, box	30	50	80	5907620083060	0WKE1G03050.90030P
WKE1 G30/50 euro profile cylinder, key-thumb turn, cam, brass, box	30	50	80	5907620083077	0WKE1G03050.98030P
WKE1 G35/30 euro profile cylinder, key-thumb turn, cam, satin nickel, box	35	30	65	5907620083138	0WKE1G03530.90030P
WKE1 G35/30 euro profile cylinder, key-thumb turn, cam, brass, box	35	30	65	5907620083121	0WKE1G03530.98030P
WKE1 G35/35 euro profile cylinder, key-thumb turn, cam, satin nickel, box	35	35	70	5907620083169	0WKE1G03535.90030P
WKE1 G35/35 euro profile cylinder, key-thumb turn, cam, brass, box	35	35	70	5907620083176	0WKE1G03535.98030P
WKE1 G35/40 euro profile cylinder, key-thumb turn, cam, satin nickel, box	35	40	75	5907620083206	0WKE1G03540.90030P
WKE1 G35/40 euro profile cylinder, key-thumb turn, cam, brass, box	35	40	75	5907620083213	0WKE1G03540.98030P
WKE1 G35/45 euro profile cylinder, key-thumb turn, cam, satin nickel, box	35	45	80	5907620083244	0WKE1G03545.90030P
WKE1 G35/45 euro profile cylinder, key-thumb turn, cam, brass, box	35	45	80	5907620083251	0WKE1G03545.98030P
WKE1 G35/50 euro profile cylinder, key-thumb turn, cam, satin nickel, box	35	50	85	5906726600317	0WKE1G03550.90030P
WKE1 G35/50 euro profile cylinder, key-thumb turn, cam, brass, box	35	50	85	5906726600324	0WKE1G03550.98030P
WKE1 G35/55 euro profile cylinder, key-thumb turn, cam, satin nickel, box	35	55	90	5907620083305	0WKE1G03555.90030P
WKE1 G35/55 euro profile cylinder, key-thumb turn, cam, brass, box	35	55	90	5907620083312	0WKE1G03555.98030P
WKE1 G36/26 euro profile cylinder, key-thumb turn, cam, satin nickel, box	36	26	62	5903373016829	0WKE1G03626.90030P
WKE1 G36/28 euro profile cylinder, key-thumb turn, cam, satin nickel, box	36	28	64	5906726600355	0WKE1G03628.90030P
WKE1 G36/28 euro profile cylinder, key-thumb turn, cam, brass, box	36	28	64	5906726600362	0WKE1G03628.98030P




Model	Dimensions (mm)			EAN	Index
	A	B	C		
WKE1 G40/30 euro profile cylinder, key-thumb turn, cam, satin nickel, box	40	30	70	5907620083336	0WKE1G04030.90030P
WKE1 G40/30 euro profile cylinder, key-thumb turn, cam, brass, box	40	30	70	5907620083329	0WKE1G04030.98030P
WKE1 G40/35 euro profile cylinder, key-thumb turn, cam, satin nickel, box	40	35	75	5907620083350	0WKE1G04035.90030P
WKE1 G40/35 euro profile cylinder, key-thumb turn, cam, brass, box	40	35	75	5907620083343	0WKE1G04035.98030P
WKE1 G40/40 euro profile cylinder, key-thumb turn, cam, satin nickel, box	40	40	80	5907620083381	0WKE1G04040.90030P
WKE1 G40/40 euro profile cylinder, key-thumb turn, cam, brass, box	40	40	80	5907620083398	0WKE1G04040.98030P
WKE1 G40/50 euro profile cylinder, key-thumb turn, cam, satin nickel, box	40	50	90	5907620083442	0WKE1G04050.90030P
WKE1 G40/50 euro profile cylinder, key-thumb turn, cam, brass, box	40	50	90	5907620083459	0WKE1G04050.98030P
WKE1 G43/28 euro profile cylinder, key-thumb turn, cam, satin nickel, box	43	28	71	5906726600652	0WKE1G04328.90030P
WKE1 G43/28 euro profile cylinder, key-thumb turn, cam, brass, box	43	28	71	5906726600638	0WKE1G04328.98030P
WKE1 G45/30 euro profile cylinder, key-thumb turn, cam, satin nickel, box	45	30	75	5907620083473	0WKE1G04530.90030P
WKE1 G45/30 euro profile cylinder, key-thumb turn, cam, brass, box	45	30	75	5907620083466	0WKE1G04530.98030P
WKE1 G45/35 euro profile cylinder, key-thumb turn, cam, satin nickel, box	45	35	80	5907620083480	0WKE1G04535.90030P
WKE1 G45/35 euro profile cylinder, key-thumb turn, cam, brass, box	45	35	80	5907620083497	0WKE1G04535.98030P
WKE1 G45/45 euro profile cylinder, key-thumb turn, cam, satin nickel, box	45	45	90	5907620083527	0WKE1G04545.90030P
WKE1 G45/45 euro profile cylinder, key-thumb turn, cam, brass, box	45	45	90	5907620083534	0WKE1G04545.98030P
WKE1 G45/55 euro profile cylinder, key-thumb turn, cam, satin nickel, box	45	55	100	5901407504359	0WKE1G04555.90030P
WKE1 G50/30 euro profile cylinder, key-thumb turn, cam, satin nickel, box	50	30	80	5907620083558	0WKE1G05030.90030P
WKE1 G50/30 euro profile cylinder, key-thumb turn, cam, brass, box	50	30	80	5907620083541	0WKE1G05030.98030P
WKE1 G50/35 euro profile cylinder, key-thumb turn, cam, satin nickel, box	50	35	85	5906726600713	0WKE1G05035.90030P
WKE1 G50/35 euro profile cylinder, key-thumb turn, cam, brass, box	50	35	85	5906726600720	0WKE1G05035.98030P
WKE1 G50/40 euro profile cylinder, key-thumb turn, cam, satin nickel, box	50	40	90	5907620083565	0WKE1G05040.90030P
WKE1 G50/40 euro profile cylinder, key-thumb turn, cam, brass, box	50	40	90	5907620083572	0WKE1G05040.98030P
WKE1 G55/35 euro profile cylinder, key-thumb turn, cam, satin nickel, box	55	35	90	5907620083602	0WKE1G05535.90030P
WKE1 G55/35 euro profile cylinder, key-thumb turn, cam, brass, box	55	35	90	5907620083619	0WKE1G05535.98030P
WKE1 G55/45 euro profile cylinder, key-thumb turn, cam, satin nickel, box	55	45	100	5902203197196	0WKE1G05545.90030P

Model	Dimensions (mm)			EAN	Index
	A	B	C		
WKE1 G28/43 euro profile cylinder, key-thumb turn, cam, brass, blister	28	43	71	5902203180396	0WKE1G02843.98030B
WKE1 G28/43 euro profile cylinder, key-thumb turn, cam, satin nickel, blister	28	43	71	5902203180419	0WKE1G02843.90030B
WKE1 G30/30 euro profile cylinder, key-thumb turn, cam, brass, blister	30	30	60	5901407510855	0WKE1G03030.98030B
WKE1 G30/30 euro profile cylinder, key-thumb turn, cam, satin nickel, blister	30	30	60	5901407510879	0WKE1G03030.90030B
WKE1 G30/35 euro profile cylinder, key-thumb turn, cam, brass, blister	30	35	65	5901407510893	0WKE1G03035.98030B
WKE1 G30/35 euro profile cylinder, key-thumb turn, cam, satin nickel, blister	30	35	65	5901407510916	0WKE1G03035.90030B
WKE1 G30/40 euro profile cylinder, key-thumb turn, cam, brass, blister	30	40	70	5901407510930	0WKE1G03040.98030B
WKE1 G30/40 euro profile cylinder, key-thumb turn, cam, satin nickel, blister	30	40	70	5901407511524	0WKE1G03040.90030B
WKE1 G30/45 euro profile cylinder, key-thumb turn, cam, brass, blister	30	45	75	5902203178720	0WKE1G03045.98030B
WKE1 G30/45 euro profile cylinder, key-thumb turn, cam, satin nickel, blister	30	45	75	5902203180433	0WKE1G03045.90030B
WKE1 G30/50 euro profile cylinder, key-thumb turn, cam, brass, blister	30	50	80	5902203178744	0WKE1G03050.98030B
WKE1 G30/50 euro profile cylinder, key-thumb turn, cam, satin nickel, blister	30	50	80	5901407511395	0WKE1G03050.90030B
WKE1 G35/30 euro profile cylinder, key-thumb turn, cam, brass, blister	35	30	65	5901407511418	0WKE1G03530.98030B
WKE1 G35/30 euro profile cylinder, key-thumb turn, cam, satin nickel, blister	35	30	65	5901407511432	0WKE1G03530.90030B
WKE1 G35/35 euro profile cylinder, key-thumb turn, cam, brass, blister	35	35	70	5902203178348	0WKE1G03535.98030B
WKE1 G35/35 euro profile cylinder, key-thumb turn, cam, satin nickel, blister	35	35	70	5902203178300	0WKE1G03535.90030B
WKE1 G35/40 euro profile cylinder, key-thumb turn, cam, brass, blister	35	40	75	5902203178362	0WKE1G03540.98030B
WKE1 G35/40 euro profile cylinder, key-thumb turn, cam, satin nickel, blister	35	40	75	5902203178324	0WKE1G03540.90030B
WKE1 G35/45 euro profile cylinder, key-thumb turn, cam, brass, blister	35	45	80	5902203178768	0WKE1G03545.98030B
WKE1 G35/45 euro profile cylinder, key-thumb turn, cam, satin nickel, blister	35	45	80	5902203180457	0WKE1G03545.90030B
WKE1 G35/50 euro profile cylinder, key-thumb turn, cam, satin nickel, blister	35	50	85	5902203180471	0WKE1G03550.90030B
WKE1 G36/28 euro profile cylinder, key-thumb turn, cam, driver, brass, blister	36	28	64	5902203175033	0WKE1G03628.98030B
WKE1 G36/28 euro profile cylinder, key-thumb turn, cam, satin nickel, blister	36	28	64	5901407510770	0WKE1G03628.90030B
WKE1 G40/30 euro profile cylinder, key-thumb turn, cam, brass, blister	40	30	70	5901407511456	0WKE1G04030.98030B
WKE1 G40/30 euro profile cylinder, key-thumb turn, cam, satin nickel, blister	40	30	70	5901407510954	0WKE1G04030.90030B
WKE1 G40/35 euro profile cylinder, key-thumb turn, cam, brass, blister	40	35	75	5902203178805	0WKE1G04035.98030B
WKE1 G40/35 euro profile cylinder, key-thumb turn, cam, satin nickel, blister	40	35	75	5902203180518	0WKE1G04035.90030B
WKE1 G40/40 euro profile cylinder, key-thumb turn, cam, brass, blister	40	40	80	5902203178829	0WKE1G04040.98030B
WKE1 G40/40 euro profile cylinder, key-thumb turn, cam, satin nickel, blister	40	40	80	5902203180532	0WKE1G04040.90030B
WKE1 G43/28 euro profile cylinder, key-thumb turn, cam, satin nickel, blister	43	28	71	5902203180570	0WKE1G04328.90030B
WKE1 G45/30 euro profile cylinder, key-thumb turn, cam, brass, blister	45	30	75	5902203178867	0WKE1G04530.98030B
WKE1 G45/30 euro profile cylinder, key-thumb turn, cam, satin nickel, blister	45	30	75	5902203180594	0WKE1G04530.90030B
WKE1 G45/35 euro profile cylinder, key-thumb turn, driver, brass, blister	45	35	80	5902203178881	0WKE1G04535.98030B
WKE1 G45/35 euro profile cylinder, key-thumb turn, cam, satin nickel, blister	45	35	80	5902203180617	0WKE1G04535.90030B
WKE1 G50/30 euro profile cylinder, key-thumb turn, cam, brass, blister	50	30	80	5902203178928	0WKE1G05030.98030B
WKE1 G50/30 euro profile cylinder, key-thumb turn, cam, satin nickel, blister	50	30	80	5901407511470	0WKE1G05030.90030B
WKE1 G50/35 euro profile cylinder, key-thumb turn, cam, satin nickel, blister	50	35	85	5902203180655	0WKE1G05035.90030B



RIM E1

Basic Rim cylinder compatible with a wide range of surface mounted locks.

-  Security class: 2
-  Gerda product security class: 6
-  Number of keys: 3

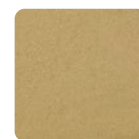
Parameters

Colours

Certificate

1	6	0	0	0	B	2	0
---	---	---	---	---	---	---	---

Cylinder classification acc. to standard PN-EN 1303:2007
Certificate issued by the Institute of Precision Mechanics



brass



satin nickel

Specification

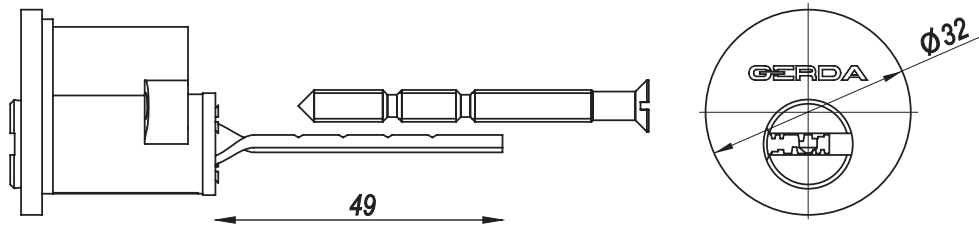
- key code security – class 2
- 5 active ratchets
- steel hardened nickel-plated anti-drilling pin in the body of the cylinder
- highest durability of the mechanism – over 100 000 cycles
- body made of brass
- high corrosion resistance
- the set includes three keys and two fixing screws

Options available

- Keyed Alike system*
- additional number of keys*
- compatibility of the cylinder with ZN and ZG surface mounted locks series*

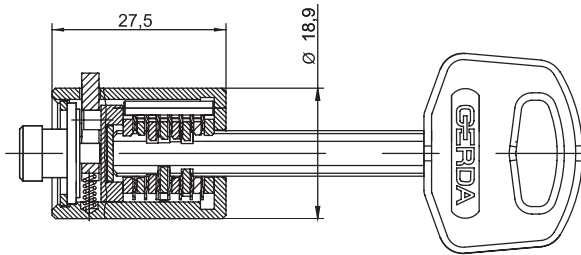
* available on request order

Technical data






Model	EAN	Index
RIM E1 Rim cylinder, satin nickel, box	5906726600942	0WRE1000000.90030P
RIM E1 Rim cylinder, brass, box	5906726600959	0WRE1000000.98030P

Technical data



CL 2037

Cylinder that is used in the manufacture of shift locks, for the automotive industry, cargo trailers and teletechnical equipment.

-  Security class: 6
-  Gerda product security class: 12
-  Number of keys: 2

Parameters

Colours

Certificate

1	6	0	0	0	B	6	D
---	---	---	---	---	---	---	---

Cylinder classification acc. to standard PN-EN 1303: 2015-07
 Certificate issued by the Institute of Precision Mechanics



polished chrome

Specification

- the highest security – class 6 according to PN-EN 1303: 2015-07
- highest durability – over 100 000 cycles
- closed body
- retractable bolt
- two CL9 keys included

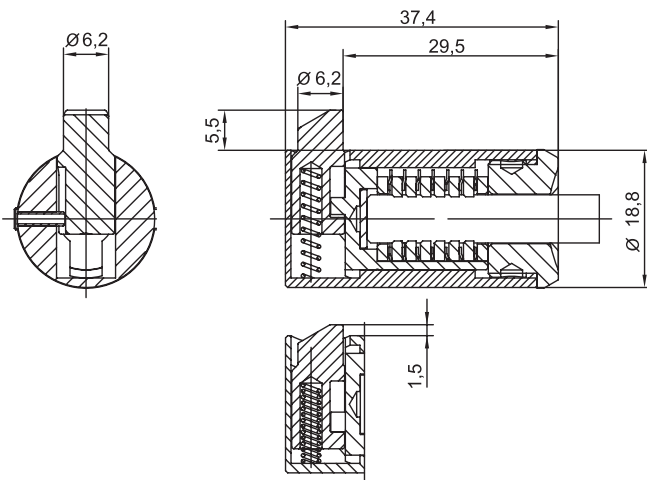
Options available

- Keyed Alike system*
- Master Key system*

* available on request order




Model	Index
CL 2037 round cylinder with disc mechanism, polished chrome, key CL9, plastic bag	OWL370B0000.99930X

Technical data



CL 2041

Cylinder that is used in the manufacture of shift locks, for the automotive industry, cargo trailers and teletechnical equipment.

-  Security class: 6
-  Gerda product security class: 12
-  Number of keys: 2

Parameters

Colours

Certificate

1	6	0	0	0	B	6	D
---	---	---	---	---	---	---	---

Cylinder classification acc. to standard PN-EN 1303: 2015-07
Certificate issued by the Institute of Precision Mechanics



polished chrome

Specification

- the highest security – class 6 according to PN-EN 1303: 2015-07
- highest durability – over 100 000 cycles
- closed body
- retractable bolt
- two CL keys included

Options available

- with CL6 or CL8 keys*
- Keyed Alike system*
- Master Key system*

* available on request order

Model	Index
CL 2041 round cylinder with disc mechanism, polished chrome, key CL6, plastic bag	0WL410B0000.99630X
CL 2041 round cylinder with disc mechanism, polished chrome, key CL8, plastic bag	0WL410B0000.99830X



02




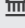

PADLOCKS

ZIRCON 106	42
ZIRCON 116	44
HSS 531 / 631Z / 633 WP	46
HSS 632Z	48
SECURE KSWs	50
SECURE KSWC	52
SECURE KSWT	54
BRASS LINE KMZ	56
BRASS LINE KMS combination code	58
BRASS LINE KMT	60
NAVY CLUB	62
BARREL	64
AQUA MODUS	66
COPPER LINE	68
IRON LINE KZZS	70
IRON LINE KZZC	72
IRON LINE KZZT	74
PADLOCK SETS	76



ZIRCON 106

A padlock 'for special tasks'. The highest security and the only Polish anti-burglary padlock in class 6 on the Polish market. Designed in two versions – with and without shackle protection.

-  **Security class: 6**
-  **Gerda product security class: 12**
-  **Number of keys: 3**
-  **NATO Certificate**
-  **IMP (IPM) Certificate**

Parameters

Colour

Certificate

1	1	3	6
---	---	---	---

Padlock classification acc. to standard PN-EN 12320:2013
Certificate issued by the Institute of Precision Mechanics



satin nickel

Specification

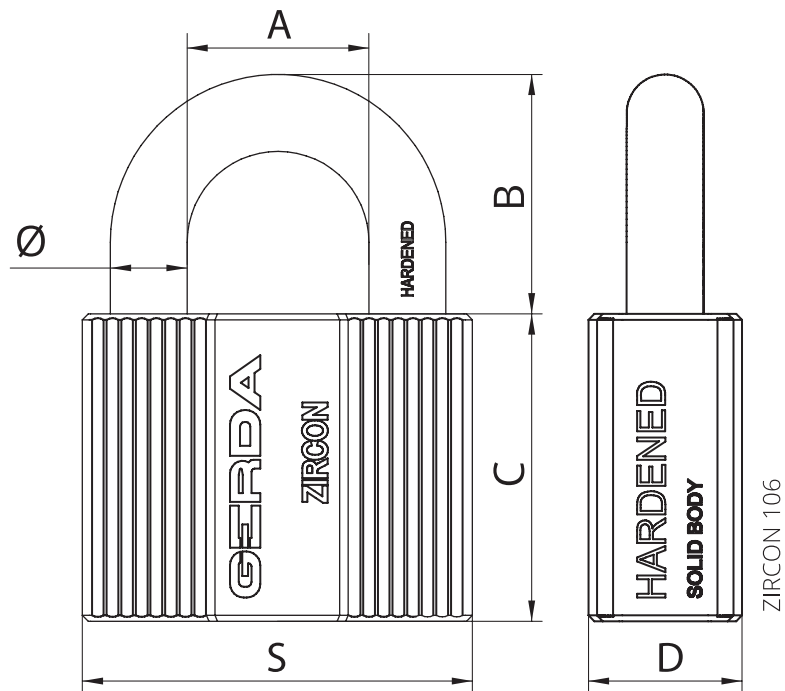
- the highest possible security class – 6 (according to PN-EN 12320:2013) thanks to which the ZIRCON padlock meets the legal and technical requirements for the protection, transport and storage of weapons, ammunition and other dangerous materials and tools
- the GERDA CL disk locking mechanism is tamper-proof, and its durability allows for more than 10 000 cycles
- diameter 13 mm shackle made of the highest quality hardened alloy steel, guaranteeing protection against mechanical attacks such as cutting, twisting, ripping (strength up to 12 T)
- hardened steel body additionally reinforced with zinc plating guarantees resistance to weather conditions and mechanical attacks on the body such as: drilling, sawing, hammering
- the shackle can be locked on both sides
- a version with additional padlock protection is available (ZIRCON 116)
- the set includes three symmetrical milled CL12 keys and a code card allowing to make additional keys at authorized service points

Options available

- Keyed Alike system*
- Master Key system*

* available on request order

Technical data








Model	Parameters	S	Ø	A	B	C	D	EAN	Index
ZIRCON 106	shackle padlock, satin nickel, blister	66	13	31	27,5	52	26	5902203196496	0KRP0606600.82C30B



ZIRCON 116

A padlock 'for special tasks'. The highest security and the only Polish anti-burglary padlock in class 6 on the Polish market. Designed in two versions – with and without shackle protection.

-  **Security class: 6**
-  **Gerda product security class: 12**
-  **Number of keys: 3**
-  **NATO Certificate**
-  **IMP (IPM) Certificate**

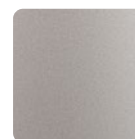
Parameters

Colour

Certificate

1	1	3	6
---	---	---	---

Padlock classification acc. to standard PN-EN 12320:2013
Certificate issued by the Institute of Precision Mechanics



satin nickel

Specification

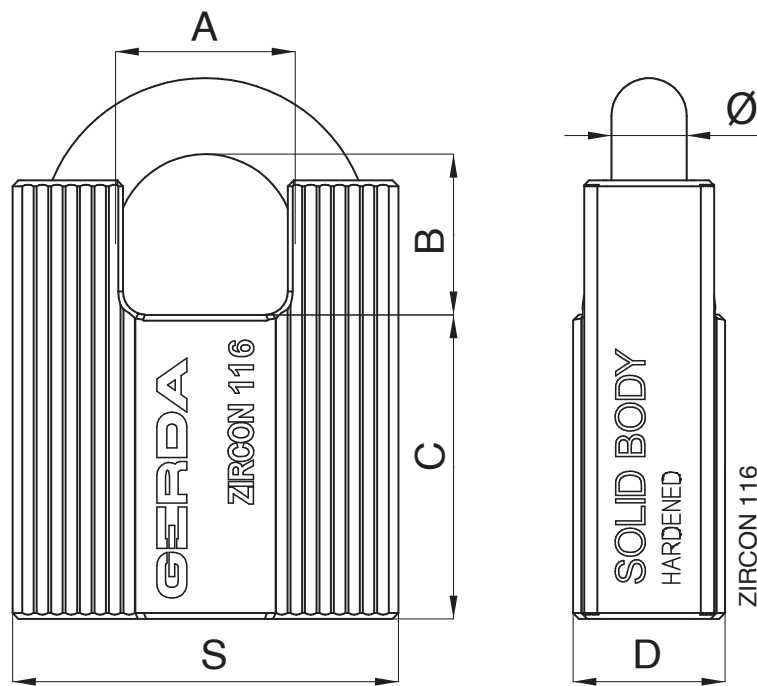
- the highest possible security class – 6 (according to PN-EN 12320:2013) thanks to which the ZIRCON padlock meets the legal and technical requirements for the protection, transport and storage of weapons, ammunition and other dangerous materials and tools
- the GERDA CL disk locking mechanism is tamper-proof, and its durability allows for more than 10 000 cycles
- diameter 13 mm shackle made of the highest quality hardened alloy steel, guaranteeing protection against mechanical attacks such as cutting, twisting, ripping (strength up to 12 T)
- hardened steel body additionally reinforced with zinc plating guarantees resistance to weather conditions and mechanical attacks on the body such as: drilling, sawing, hammering
- the shackle can be locked on both sides
- shielded shackle for increased padlock security
- the set includes three symmetrical milled CL12 keys and a code card allowing to make additional keys at authorized service points

Options available

- Keyed Alike system*
- Master Key system*

* available on request order

Technical data




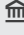



Model	Parameters	S	Ø	A	B	C	D	EAN	Index
ZIRCON 116	shielded shackle padlock, satin nickel, blister	66	13	31	27	52	26	5902203196571	0KRR0606600.82C30B



HSS 531 / 631Z / 633WP

HSS – Hard & Soft System – GERDA’s patented technology used for padlocks. It is based on a combination of hard and soft materials and GERDA CL’s tough disc locking mechanism. The result is a product that is resistant to ripping, twisting, drilling or opening with a picklock.

-  **Security class: 4**
-  **Gerda product security class: 10**
-  **Number of keys: 3**
-  **NATO Certificate**
-  **IMP (IPM) Certificate**

Parameters

Colour

Certificate

1	1	3	4
---	---	---	---

Padlock classification acc. to standard PN-EN 12320:2013
Certificate issued by the Institute of Precision Mechanics



satin nickel

Specification

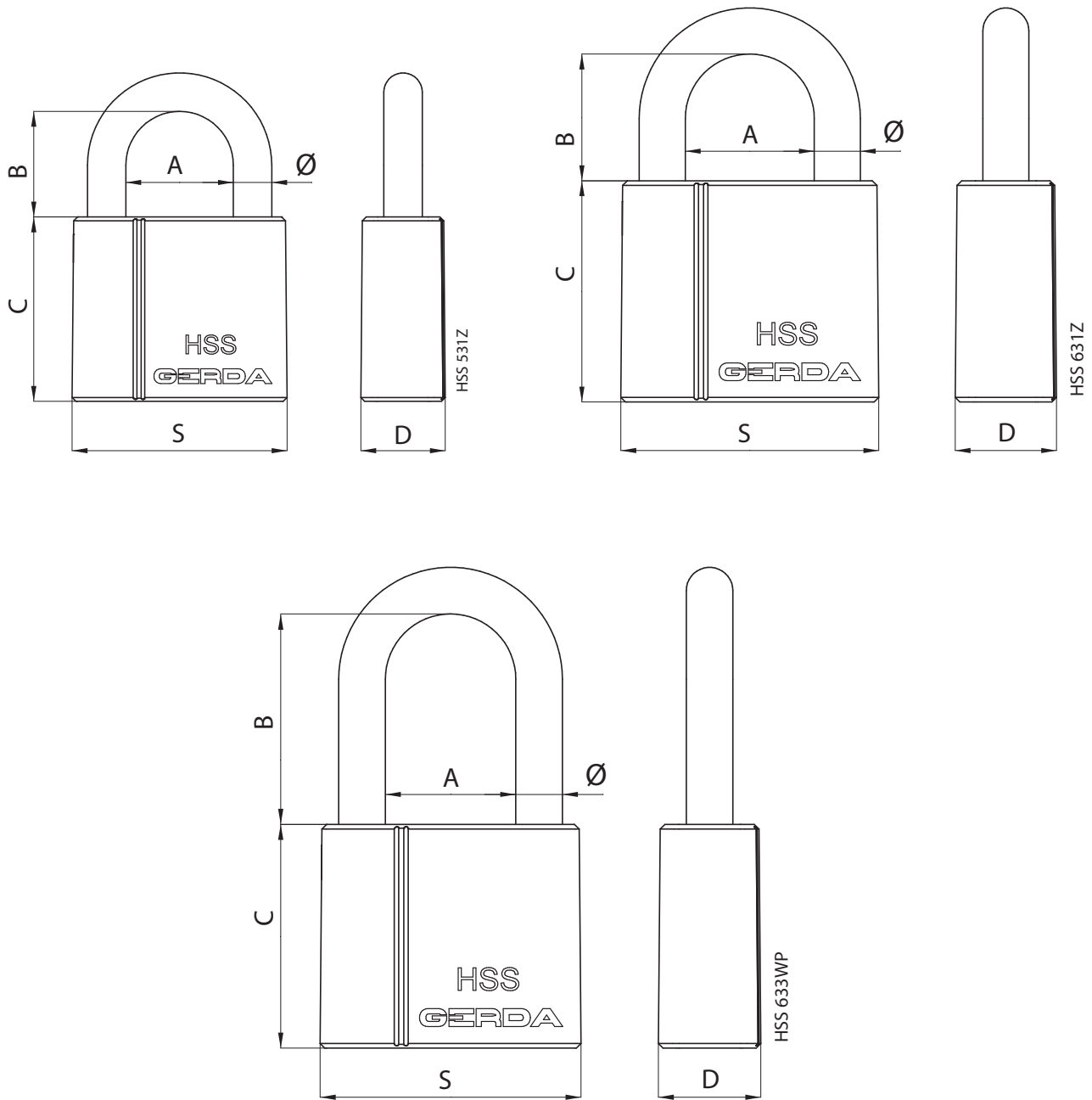
- high security class – 4 according to PN-EN 12320:2013
- the GERDA CL disc-locking mechanism is tamper-proof, and its durability allows for more than 10 000 cycles
- the shackle is made of the highest quality hardened alloy steel, guaranteeing protection against mechanical attacks such as twisting, ripping, cutting
- body made of patented Hard&Soft System technology, i.e. from a combination of soft and hard materials that guarantee high resistance to mechanical attack
- a version with additional padlock protection is available (HSS 632Z)
- the set includes three milled CL6 keys and a code card that allows to make additional keys at authorized service points

Options available

- Keyed Alike system*
- Master Key system*

* available on request order

Technical data








Model	Parameters	S	Ø	A	B	C	D	EAN	Index
HSS 531	shackle padlock, satin nickel, blister	56	10	30	28	48	20	5902203196199	0KHP0005600.90630B
HSS 631Z	shackle padlock, satin nickel, blister	66	12	36	28	52	25,5	5902203196250	0KHP0006600.90630B
HSS 633WP	shackle padlock, elongated and removable shackle, satin nickel, vacuum skin pack	66	12	31	50	52	24	5902203328446	0KHW0006600.90630S



HSS 632Z

HSS – Hard & Soft System – GERDA’s patented technology used for padlocks. It is based on a combination of hard and soft materials and GERDA CL’s tough disc locking mechanism. The result is a product that is resistant to ripping, twisting, drilling or opening with a picklock.

-  **Security class: 4**
-  **Gerda product security class: 10**
-  **Number of keys: 3**
-  **NATO Certificate**
-  **IMP (IPM) Certificate**

Parameters

Colour

Certificate

1	1	3	4
---	---	---	---

Padlock classification acc. to standard PN-EN 12320:2013
Certificate issued by the Institute of Precision Mechanics



satine nickel

Specification

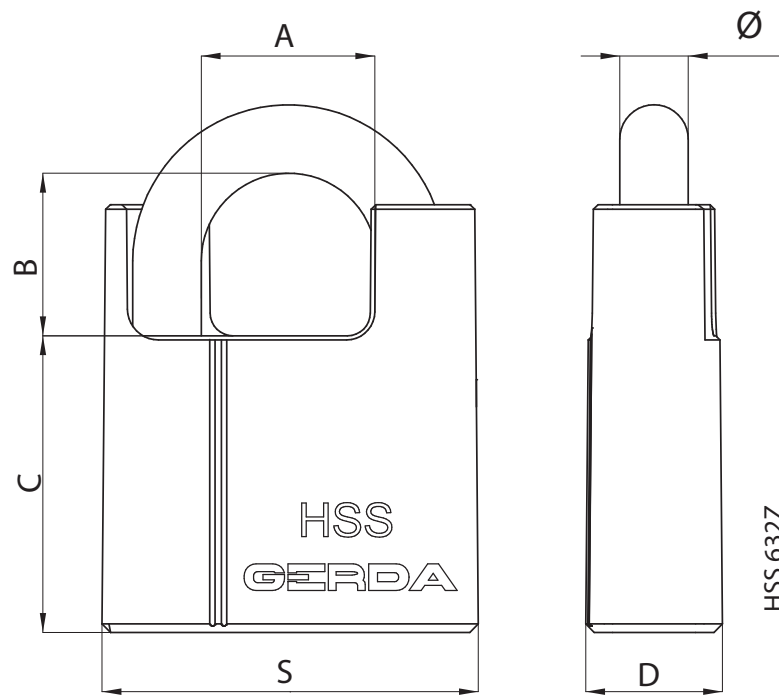
- high security class – 4 according to PN-EN 12320:2013
- the GERDA CL disc-locking mechanism is tamper-proof, and its durability allows for more than 10 000 cycles
- the shackle is made of the highest quality hardened alloy steel, guaranteeing protection against mechanical attacks such as twisting, ripping, cutting
- body made of patented Hard&Soft System technology, i.e. from a combination of soft and hard materials that guarantee high resistance to mechanical attack
- shielded shackle for increased padlock security
- the set includes three milled CL6 keys and a code card that allows to make additional keys at authorized service points

Options available

- Keyed Alike system*
- Master Key system*

* available on request order

Technical data



Model	Parameters	S	Ø	A	B	C	D	EAN	Index
HSS 632Z	shielded shackle padlock, satin nickel, blister	66	12	36	28	52	29	5902203196236	0KHR0006600.90630B



SECURE KSW5 / KSWW

This padlock is primarily used where there is a lot of dust and contact with lubricants, such as in workshops, production halls, paint shops and places where substances are stored.

🛡️ Gerda product security class: 6 / 7

🔑 Number of keys: 3

Parameters

Colour

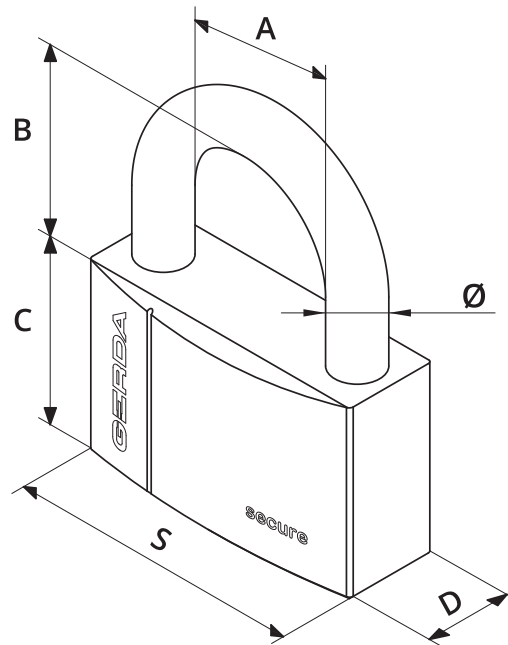


satin nickel

Specification

- solid brass nickel-plated body
- chrome-plated hardened steel shackle
- disc mechanism resistant to dust and dirt
- hardened steel ring securing the cylinder
- drainage hole increases corrosion resistance
- locking of the shackle with steel balls on both sides (from size S50 upwards)
- key blocks when padlock is open
- available in a multipack (set of 2, 3 or 4 padlocks in Keyed Alike system)
- a version with additional padlock protection is available
- a version is available with an elongated shackle, making it easier to use the padlock in unconventional places
- the set includes three milled keys

Technical data



Model	Parameters	S	Ø	A	B	C	D	EAN	Index
SECURE KSW S30	reinforced shackle padlock, satin nickel, blister	30	5	15	18	26	13	5903373009425	0KWP0003000.90130B
SECURE KSW S40	reinforced shackle padlock, satin nickel, blister	40	7	20	25	32	17	5903373009449	0KWP0004000.90230B
SECURE KSW S50	reinforced shackle padlock, satin nickel, blister	50	10	23	27	38	23	5903373009463	0KWP0005000.90330B
SECURE KSW S60	reinforced shackle padlock, satin nickel, blister	60	12	29	32	43	26	5903373009487	0KWP0006000.90330B
SECURE KSW S70	reinforced shackle padlock, satin nickel, blister	70	12	40	36	45	28	5903373009500	0KWP0007000.90330B
SECURE KSWW S40H60	reinforced shackle padlock, elongated shackle, satin nickel, blister	40	7	20	53	32	17	5903373009623	0KWP0004060.90230B
SECURE KSWW S50H70	reinforced shackle padlock, elongated shackle, satin nickel, blister	50	10	23	60	38	23	5903373009647	0KWP0005070.90330B

SECURE KSW MULTIPACKS, Keyed Alike system – see page 76

Model	Parameters	S	Ø	A	B	C	D	EAN	Index
SECURE KSW S40	TWINS Set of two reinforced shackle padlock, satin nickel, blister	40	7	20	25	32	17	5902203358467	0KWPS2A4000.90250B
SECURE KSW S40	TRIPLES Set of three reinforced shackle padlock, satin nickel, blister	40	7	20	25	32	17	5902203358474	0KWPS3A4000.90250B
SECURE KSW S50	TWINS Set of two reinforced shackle padlock, satin nickel, blister	50	10	23	27	38	23	5902203358481	0KWPS2A5000.90350B



SECURE KSWC

This padlock is primarily used where there is a lot of dust and contact with lubricants, such as in workshops, production halls, paint shops and places where substances are stored.

🛡️ Gerda product security class: 6 / 7

🔑 Number of keys: 3

Parameters

Colour

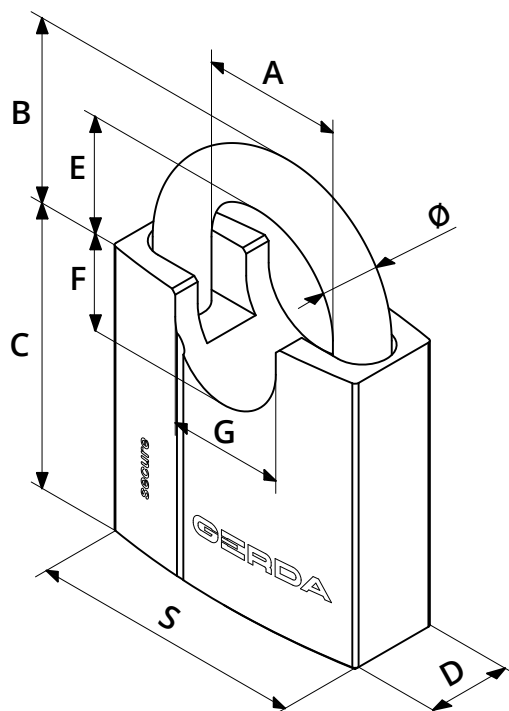


satin nickel

Specification

- solid brass nickel-plated body
- chrome-plated hardened steel shackle
- disc mechanism resistant to dust and dirt
- hardened steel ring securing the cylinder
- drainage hole increases corrosion resistance
- locking of the shackle with steel balls on both sides (from size S50 upwards)
- key blocks when padlock is open
- shielded shackle for increased padlock security
- the set includes three milled keys

Technical data



Model	Parameters	S	Ø	A	B	C	D	E	F	G	EAN	Index
SECURE KSWC S50	shielded reinforced shackle padlock, satin nickel, blister	50	10	24	17	63	23	8	18	10	5903373009562	OKWR0005000.90330B
SECURE KSWC S60	shielded reinforced shackle padlock, satin nickel, blister	60	12	29	20	70	26	8	20	25	5903373009586	OKWR0006000.90330B
SECURE KSWC S70	shielded reinforced shackle padlock, satin nickel, blister	70	12	40	33	72	28	15	21	29	5903373009609	OKWR0007000.90330B



SECURE KSWT

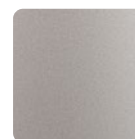
This padlock is primarily used where there is a lot of dust and contact with lubricants, such as in workshops, production halls, paint shops and places where substances are stored.

🛡️ Gerda product security class: 7

🔑 Number of keys: 3

Parameters

Colour

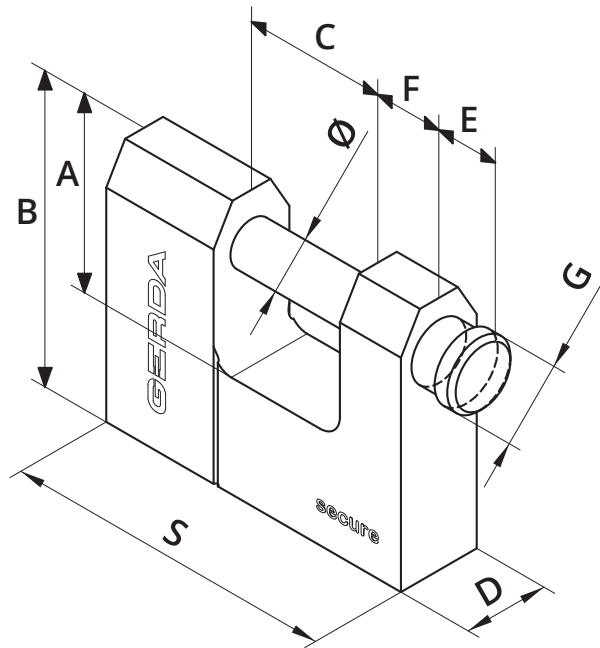


satin nickel

Specification

- solid brass nickel-plated body
- chrome-plated hardened steel shackle
- disc mechanism resistant to dust and dirt
- hardened steel ring securing the cylinder
- key blocks when padlock is open
- a version is available with an elongated shackle, making it easier to use the padlock in unconventional places
- the set includes three milled keys

Technical data



Model	Parameters	S	Ø	A	B	C	D	E	F	G	EAN	Index
SECURE KSWT T50	reinforced shackle padlock, satin nickel, blister	50	10	20	44	12,5	18	9	12,5	12	5903373009661	0KWT0005000.90330B
SECURE KSWT T60	reinforced shackle padlock, satin nickel, blister	60	10	24	44	12,5	18	9	14,5	12	5903373009685	0KWT0006000.90330B
SECURE KSWT T70	reinforced shackle padlock, satin nickel, blister	70	10	30	56	18,5	20	10,5	15,5	15	5903373009708	0KWT0007000.90330B
SECURE KSWT T80	reinforced shackle padlock, satin nickel, blister	80	11	36	56	18,5	20	10,5	16	16	5902203198148	0KWT0008000.90330B
SECURE KSWT T90	reinforced shackle padlock, satin nickel, blister	90	11	40	56	18,5	20	10,5	18	16	5902203198162	0KWT0009000.90330B



BRASS LINE KMZ

The padlock is designed for general use and for securing property of small value. It is perfect for locking gates and in places such as allotments and window bars.

🛡️ Gerda product security class: 4 / 5 / 6 / 7

🔑 Number of keys: 3

Parameters

Colour

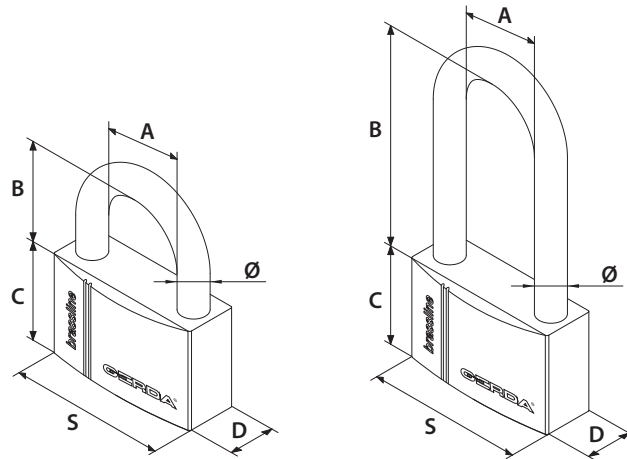


brass

Specification

- solid brass body
- chrome-plated hardened steel shackle
- snap-type closure that allows the padlock to be closed without a key
- drainage hole for increased corrosion resistance
- available in multipack (set of 2, 3 or 4 padlocks in Keyed Alike system)
- available in straight shackle version or combination code
- a version is available with an elongated shackle, making it easier to use the padlock in unconventional places
- the set includes three keys

Technical data



Model	Parameters	S	Ø	A	B	C	D	EAN	Index
BRASS LINE KMZ S2010A	shackle padlock, brass, box	20	3	12	12	21	10	5903373000675	OKMP0002000.98130P
BRASS LINE KMZ S3010A	shackle padlock, brass, box	30	5	16,5	16,5	28	13	5903373000682	OKMP0003000.98130P
BRASS LINE KMZ S4010A	shackle padlock, brass, box	40	6	22	26	32,5	14	5903373000699	OKMP0004000.98130P
BRASS LINE KMZ S40H66	shackle padlock, elongated shackle, brass, box	40	6	22	61	32,5	14	5903373000767	OKMP0004066.98130P
BRASS LINE KMZ S5010A	shackle padlock, brass, box	50	8	28	29,5	41,5	17	5903373000705	OKMP0005000.98230P
BRASS LINE KMZ S50H66	shackle padlock, elongated shackle, brass, box	50	8	28	71	41,5	17	5903373000774	OKMP0005080.98230P
BRASS LINE KMZ S6010A	shackle padlock, brass, box	60	9,5	35	33	43,5	18	5903373000712	OKMP0006000.98330P
BRASS LINE KMZ S2010A	shackle padlock, brass, blister	20	3	12	12	21	10	5903373005328	OKMP0002000.98130B
BRASS LINE KMZ S3010A	shackle padlock, brass, blister	30	5	16,5	17	28	13	5903373005335	OKMP0003000.98130B
BRASS LINE KMZ S4010A	shackle padlock, brass, blister	40	6	22	26	32,5	14	5903373005342	OKMP0004000.98130B
BRASS LINE KMZ S40H66	shackle padlock, elongated shackle, brass, blister	40	6	22	61	32,5	14	5903373005403	OKMP0004066.98130B
BRASS LINE KMZ S5010A	shackle padlock, brass, blister	50	8	28	29,5	41,5	16,5	5903373005359	OKMP0005000.98230B
BRASS LINE KMZ S50H66	shackle padlock, elongated shackle, brass, blister	50	8	28	71	41,5	16,5	5903373005410	OKMP0005080.98230B
BRASS LINE KMZ S6010A	shackle padlock, brass, blister	60	9,5	35	33	43,5	18	5903373005366	OKMP0006000.98330B

BRASS LINE KMZ MULTIPACKS, Keyed Alike system – see page 76

BRASS LINE KMZ S30	TWINS pack of two shackle padlocks, brass, blister	30	5	16,5	16,5	28	13	5902203358375	OKMPS2A3000.98150B
BRASS LINE KMZ S30	TRIPLETS pack of three shackle padlocks, brass, blister	30	5	16,5	16,5	28	13	5902203358382	OKMPS3A3000.98150B
BRASS LINE KMZ S30	QUADS pack of four shackle padlocks, brass, blister	30	5	16,5	16,5	28	13	5902203358399	OKMPS4A3000.98150B
BRASS LINE KMZ S40	TWINS pack of two shackle padlocks, brass, blister	40	6	22	26	32,5	14	5902203358405	OKMPS2A4000.98350B
BRASS LINE KMZ S40	TRIPLETS pack of three shackle padlocks, brass, blister	40	6	22	26	32,5	14	5902203358412	OKMPS3A4000.98350B
BRASS LINE KMZ S50	TWINS pack of two shackle padlocks, brass, blister	50	8	28	29,5	41,5	17	5902203358429	OKMPS2A5000.98450B
BRASS LINE KMZ S60	TWINS pack of two shackle padlocks, brass, blister	60	9,5	35	33	43,5	18	5902203358436	OKMPS2A6000.98450B



BRASS LINE KMS combination code padlock

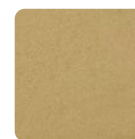
A padlock with protection based on using disc-shaped combination dials. Allows you to set a code yourself. Commonly known as a travel lock.

🛡️ Gerda product security class: 4 / 5 / 6 / 7

🔑 3-Digit code / 4-Digit code

Parameters

Colour

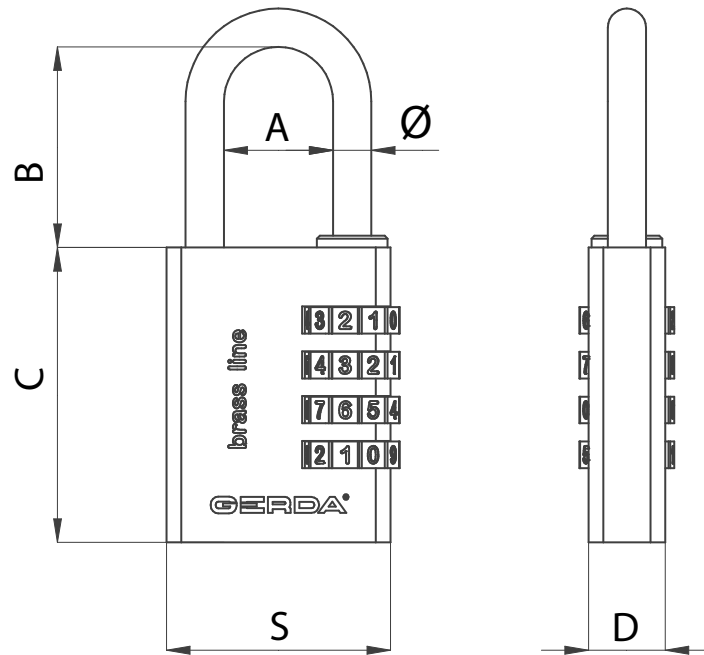


brass

Specification

- body made of solid brass
- chrome-plated steel shackle
- combination code lock
- available with 3 or 4 combination digits
- possibility to set your own combination

Technical data



Model	Parameters	S	Ø	A	B	C	D	EAN	Index
BRASS LINE KMS S20	combination code shackle padlock, brass. blister	20	3	9	22	30	10	5902203176016	0KSP0002000.98000B
BRASS LINE KMS S30	combination code shackle padlock, brass. blister	28	5	12,5	26,5	46	12,5	5902203176030	0KSP0003000.98000B
BRASS LINE KMS S40	combination code shackle padlock, brass. blister	38	6	18,5	31,5	49,5	13	5902203176054	0KSP0004000.98000B



BRASS LINE KMT

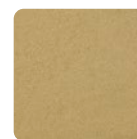
The padlock is designed for general use and for securing property of small value. It is perfect for locking gates and in places such as allotments and window bars.

🛡️ Gerda product security class: 4 / 5 / 6 / 7

🔑 Number of keys: 3

Parameters

Colour

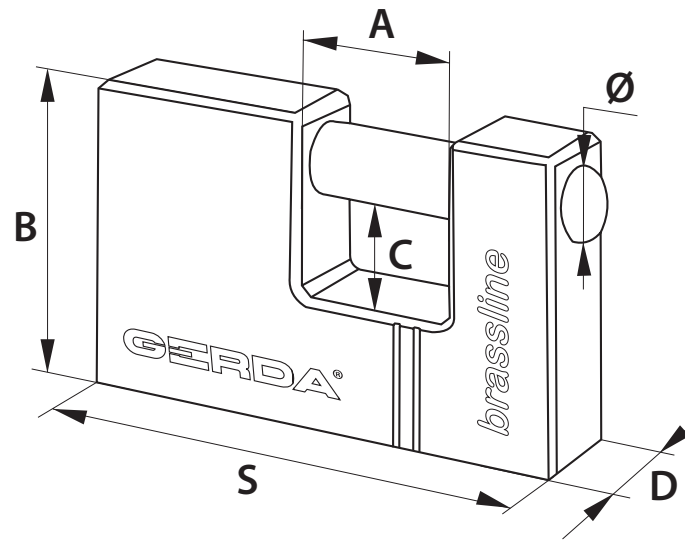


brass

Specification

- solid brass body
- chrome-plated hardened steel shackle
- snap-type closure that allows the padlock to be closed without a key
- key blocks when padlock is open
- the set includes three keys

Technical data



Model	Parameters	S	Ø	A	B	C	D	EAN	Index
BRASS LINE KMT T5010A	shackle padlock, brass, box	50	9	14	38	11	15	5903373000729	OKMT0005000.98130P
BRASS LINE KMT T6510A	shackle padlock, brass, box	65	10	18	43	13	16	5903373000736	OKMT0006500.98230P
BRASS LINE KMT T7510A	shackle padlock, brass, box	75	11	24	48	14	18	5903373000743	OKMT0007500.98230P
BRASS LINE KMT T9010A	shackle padlock, brass, box	90	12	36	60	19,5	19	5903373000750	OKMT0009000.98230P
BRASS LINE KMT T5010A	shackle padlock, brass, blister	50	9	14	38	11	15	5903373005373	OKMT0005000.98130B
BRASS LINE KMT T6510A	shackle padlock, brass, blister	65	10	18	43	13	16	5903373005380	OKMT0006500.98230B
BRASS LINE KMT T7510A	shackle padlock, brass, blister	75	11	24	48	14	18	5903373005397	OKMT0007500.98230B
BRASS LINE KMT T9010A	shackle padlock, brass, blister	90	12	36	60	19,5	19	5903373005786	OKMT0009000.98230B



NAVY CLUB

Padlocks made of weatherproof materials with high anti-corrosion properties.

🛡️ Gerda product security class: 6 / 7

🔑 Number of keys: 3

Parameters

Colour

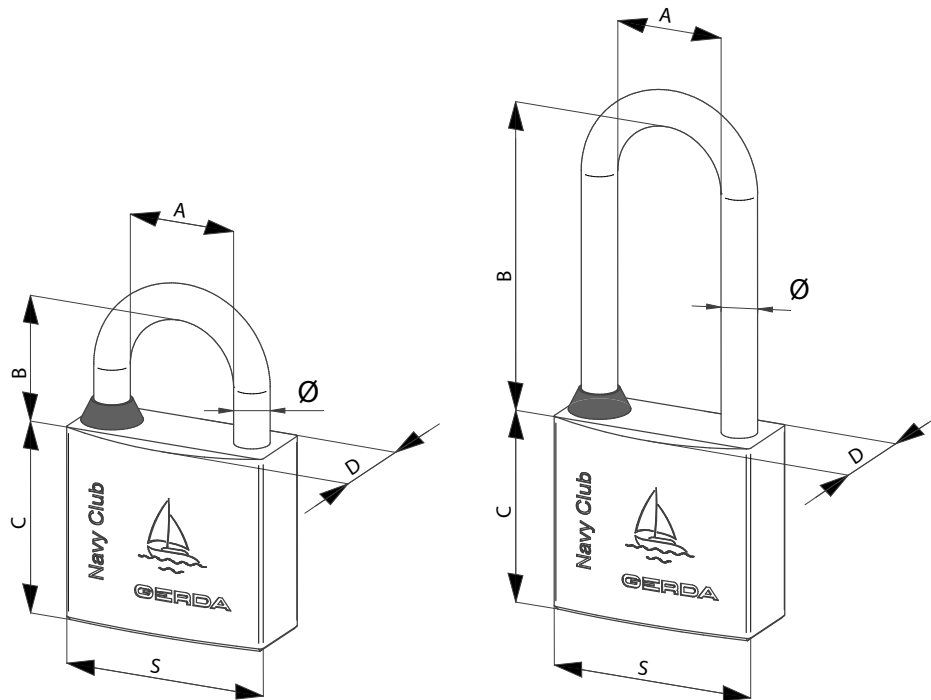


chrome

Specification

- body made of brass, electroplated in shiny chrome colour
- stainless steel shackle with additional rubber seal protecting the body
- padlock made of materials with high anti-corrosion properties
- additional drainage hole
- locking of the shackle on both sides (from size S40 upwards)
- snap-type closure that allows the padlock to be closed without a key
- a version is available with an elongated shackle, making it easier to use the padlock in unconventional places
- the set includes three keys

Technical data



Model	Parameters	S	Ø	A	B	C	D	EAN	Index
NAVY CLUB KCNP 30	shackle padlock, chrome, box	30	5	15,5	18	28,2	12,8	5902203302941	OKCP0NC3000.99130P
NAVY CLUB KCNP 40	shackle padlock, chrome, box	40	6	22,6	22	33	14,2	5902203302965	OKCP0NC4000.99130P
NAVY CLUB KCNP 40H70	shackle padlock, elongated shackle, chrome, box	40	6	22,6	65	33	14,2	5902203302972	OKCP0NC4070.99130P
NAVY CLUB KCNP 50	shackle padlock, chrome, box	50	8	27,8	29,5	40,5	16,5	5902203302989	OKCP0NC5000.99230P
NAVY CLUB KCNP 50H80	shackle padlock, elongated shackle, chrome, box	50	8	27,8	75,5	40,5	16,5	5902203302996	OKCP0NC5080.99230P
NAVY CLUB KCNP 60	shackle padlock, chrome, box	60	9,5	33	35	42,5	18,1	5902203303009	OKCP0NC6000.99330P
NAVY CLUB KCNP 30	shackle padlock, chrome, blister	30	5	15,5	18	28,2	12,8	5902203302804	OKCP0NC3000.99130B
NAVY CLUB KCNP 40	shackle padlock, chrome, blister	40	6	22,6	22	33	14,2	5902203302828	OKCP0NC4000.99130B
NAVY CLUB KCNP 40H70	shackle padlock, elongated shackle, chrome, blister	40	6	22,6	65	33	14,2	5902203302835	OKCP0NC4070.99130B
NAVY CLUB KCNP 50	shackle padlock, chrome, blister	50	8	27,8	29,5	40,5	16,5	5902203302842	OKCP0NC5000.99230B
NAVY CLUB KCNP 50H80	shackle padlock, elongated shackle, chrome, blister	50	8	27,8	75,5	40,5	16,5	5902203302859	OKCP0NC5080.99230B
NAVY CLUB KCNP 60	shackle padlock, chrome, blister	60	9,5	33	35	42,5	18,1	5902203302866	OKCP0NC6000.99330B



BARREL

A sturdy padlock with a cast iron body, a hardened steel shackle and disc mechanism.

🛡️ Gerda product security class: 5 / 6

🔑 Number of keys: 3

Parameters

Colour

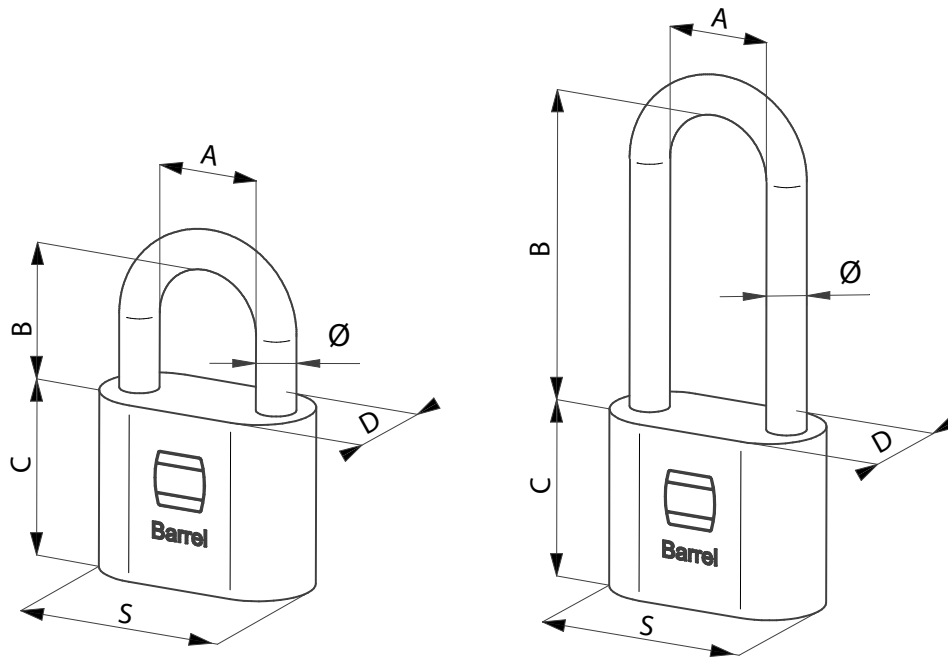


matt
chrome

Specification

- body made of cast iron, electroplated with coating in matte chrome colour
- chrome-plated hardened steel shackle
- tumbler with disc mechanism resistant to dust and dirt, additionally protected against tampering by a ring of hardened steel
- drainage hole for increased corrosion resistance
- locking of the shackle with steel balls on both sides (from size S50 upwards)
- a version is available with an elongated shackle, making it easier to use the padlock in unconventional places
- the set includes three milled symmetrical keys

Technical data



Model	Parameters	S	Ø	A	B	C	D	EAN	Index
BARREL KSP 30	steel shackle padlock, matt chrome, box	30	5	15	17,5	26	15	5902203308943	OKFP0BA3000.89130P
BARREL KSP 30H42	steel shackle padlock, elongated shackle, matt chrome, box	30	5	13	37,5	26	15	5902203308868	OKFP0BA3042.89130P
BARREL KSP 40	steel shackle padlock, matt chrome, box	40	7,2	20	22	32	20	5902203302743	OKFP0BA4000.89130P
BARREL KSP 40H60	steel shackle padlock, elongated shackle, matt chrome, box	40	7,2	20	52	32	20	5902203308875	OKFP0BA4060.89130P
BARREL KSP 50	steel shackle padlock, matt chrome, box	50	8,8	23,5	28	38	20	5902203302767	OKFP0BA5000.89230P
BARREL KSP 50H66	steel shackle padlock, elongated shackle, matt chrome, box	50	8,8	23,5	58	38	20	5902203308882	OKFP0BA5066.89230P
BARREL KSP 60	steel shackle padlock, matt chrome, box	60	10,8	25,2	31	42	20	5902203302781	OKFP0BA6000.89230P
BARREL KSP 30	steel shackle padlock, matt chrome, blister	30	5	15	17,5	26	15	5902203308929	OKFP0BA3000.89130B
BARREL KSP 30H42	steel shackle padlock, elongated shackle, matt chrome, blister	30	5	13	37,5	26	15	5902203308806	OKFP0BA3042.89130B
BARREL KSP 40	steel shackle padlock, matt chrome, blister	40	7,2	20	22	32	20	5902203301722	OKFP0BA4000.89130B
BARREL KSP 40H60	steel shackle padlock, elongated shackle, matt chrome, blister	40	7,2	20	52	32	20	5902203308813	OKFP0BA4060.89130B
BARREL KSP 50	steel shackle padlock, matt chrome, blister	50	8,8	23,5	28	38	20	5902203301746	OKFP0BA5000.89230B
BARREL KSP 50H66	steel shackle padlock, elongated shackle, matt chrome, blister	50	8,8	23,5	58	38	20	5902203308820	OKFP0BA5066.89230B
BARREL KSP 60	steel shackle padlock, matt chrome, blister	60	10,8	25,2	31	42	20	5902203301760	OKFP0BA6000.89230B



AQUA MODUS

A padlock covered with protection against harsh weather conditions and mechanical damage. Thanks to the use of PVC cover, the padlock is ideal for securing truck trailers, generators and machine unit housings.

🛡️ Gerda product security class: 5 / 6

🔑 Number of keys: 3

Parameters

Colour

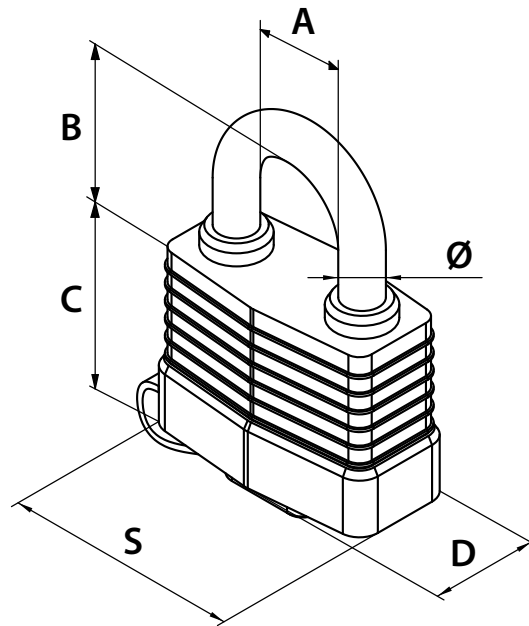


navy blue

Specification

- body made of plates of hardened steel, in a PVC cover
- hardened steel shackle, additionally with a PVC cover
- a unique set of durable materials and additional protective PVC provides a combination that protects against both mechanical factors and weather conditions
- snap-type closure that allows the padlock to be closed without a key
- double-sided locking of the shackle (from size 45 upwards)
- plastic cap protecting the locking mechanism from the negative effects of dust and other types of dirt
- a version is available with an elongated shackle, making it easier to use the padlock in unconventional places
- the set includes three keys

Technical data



Model	Parameters	S	Ø	A	B	C	D	EAN	Index
AQUA MODUS KSM S35A	steel shackle padlock in protective casing, navy blue, blister	38	7	12,5	20	31,5	24	5902203179239	0KPP0QM3500.56130B
AQUA MODUS KSM S45A	steel shackle padlock in protective casing, navy blue, blister	49	8,5	17,5	29	39	31	5902203179253	0KPP0QM4500.56230B
AQUA MODUS KSM S55A	steel shackle padlock in protective casing, navy blue, blister	58	10,5	23	39,5	43	33,5	5902203179277	0KPP0QM5500.56230B
AQUA MODUS KSM S70A	steel shackle padlock in protective casing, navy blue, blister	75	13,5	27,5	47	53	40	5902203179291	0KPP0QM7000.56330B
AQUA MODUS KSM S45AH60	steel shackle padlock in protective casing and elongated shackle, navy blue, blister	49	8,5	17,5	51	39	31	5902203179314	0KPP0QM4560.56230B
AQUA MODUS KSM S55AH65	steel shackle padlock in protective casing and elongated shackle, navy blue, blister	58	10,5	23	54	43	33,5	5902203179338	0KPP0QM5565.56230B



COPPER LINE

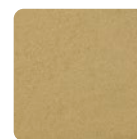
The padlock is designed for general use and for securing property of small value.

🛡️ Gerda product security class: 3 / 4 / 5

🔑 Number of keys: 3

Parameters

Colour

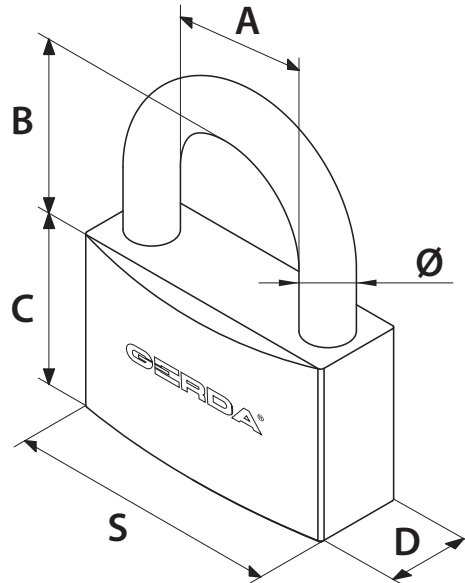


brass

Specification

- solid brass body
- chrome-plated hardened steel shackle
- snap-type closure that allows the padlock to be closed without a key
- drainage hole for increased corrosion resistance
- locking of the shackle on both sides (from size S40 upwards)
- the set includes three keys

Technical data



Model	Parameters	S	Ø	A	B	C	D	EAN	Index
COPPER LINE KMC S30	shackle padlock, brass, box	30	5	15	19	27	11	5902203333273	OKMC0003000.98130P
COPPER LINE KMC S40	shackle padlock, brass, box	40	6	20	24	32	12	5902203333280	OKMC0004000.98230P
COPPER LINE KMC S50	shackle padlock, brass, box	50	8	27	30	38	14	5902203333297	OKMC0005000.98330P
COPPER LINE KMC S60	shackle padlock, brass, box	60	9	32	37	41	16	5902203333303	OKMC0006000.98330P
COPPER LINE KMC S30	shackle padlock, brass, blister	30	5	15	19	27	11	5902203333235	OKMC0003000.98130B
COPPER LINE KMC S40	shackle padlock, brass, blister	40	6	20	24	32	12	5902203333242	OKMC0004000.98230B
COPPER LINE KMC S50	shackle padlock, brass, blister	50	8	27	30	38	14	5902203333259	OKMC0005000.98330B
COPPER LINE KMC S60	shackle padlock, brass, blister	60	9	30	37	41	16	5902203333266	OKMC0006000.98330B



IRON LINE KZZS

The iron cast padlock is designed for general use and for securing property of small value.

🛡️ Gerda product security class: 4 / 5 / 6

🔑 Number of keys: 3

Parameters

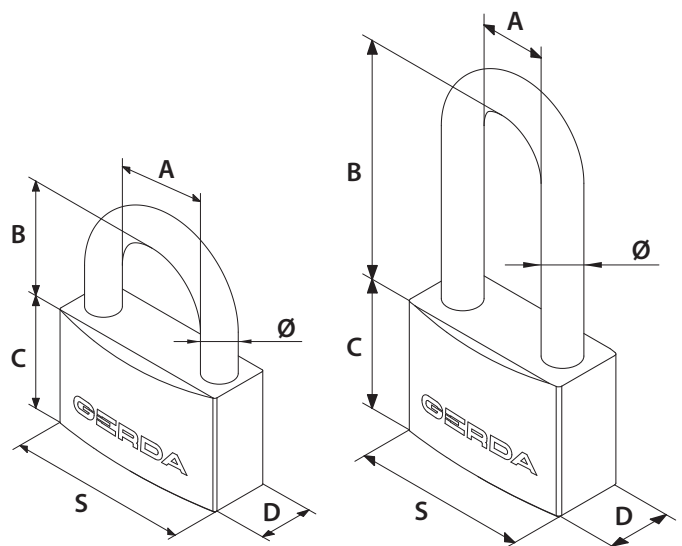
Colour



black

Specification

- solid cast iron body
- shackle of chrome-plated surface-hardened steel
- snap-type closure that allows the padlock to be closed without a key
- locking of the shackle on both sides (from size S40 upwards)
- drainage hole for increased corrosion resistance
- shackle padlock with elongated shackle and pin shackle padlock versions are available
- a version is available with an elongated shackle, making it easier to use the padlock in unconventional places
- the set includes three keys available in a multipack (set of 2, 3 or 4 padlocks in Keyed Alike system)



Technical data

Model	Parameters	S	Ø	A	B	C	D	EAN	Index
IRON LINE KZZS S30	cast iron shackle padlock, black, box	32	5	15,5	17	30	15	5906726602359	OKZP0003000.06130P
IRON LINE KZZS S40	cast iron shackle padlock, black, box	38	6	21	24	34	17	5906726602366	OKZP0004000.06130P
IRON LINE KZZS S40H60	cast iron shackle padlock, elongated shackle, black, box	38	6	21	55	34	17	5902203195437	OKZP0004060.06130P
IRON LINE KZZS S50	cast iron shackle padlock, black, box	50	8	26	32	43	22	5906726602373	OKZP0005000.06230P
IRON LINE KZZS S50H70	cast iron shackle padlock, elongated shackle, black, box	50	8	26	65	43	22	5902203195451	OKZP0005070.06230P
IRON LINE KZZS S60	cast iron shackle padlock, black, box	63	9,5	31,5	31,5	52	26	5906726602380	OKZP0006000.06330P
IRON LINE KZZS S70	cast iron shackle padlock, black, box	75	11	41	35	58	28	5906726602397	OKZP0007500.06330P

IRON LINE KZZS S30	cast iron shackle padlock, black, blister	32	5	15,5	17	30	15	5902203196410	OKZP0003000.06130B
IRON LINE KZZS S40	cast iron shackle padlock, black, blister	38	6	21	24	34	17	5902203196434	OKZP0004000.06130B
IRON LINE KZZS S50	cast iron shackle padlock, black, blister	50	8	26	32	43	22	5902203196175	OKZP0005000.06230B
IRON LINE KZZS S60	cast iron shackle padlock, black, blister	63	9,5	31,5	31,5	52	26	5902203196212	OKZP0006000.06330B

IRON LINE KZZS S40H60	cast iron shackle padlock, elongated shackle, black, vacuum skin pack	38	6	21	55	34	17	5902203197561	OKZP0004060.06130S
IRON LINE KZZS S50H70	cast iron shackle padlock, elongated shackle, black, vacuum skin pack	50	8	26	65	43	22	5902203197585	OKZP0005070.06230S

IRON LINE KZZS MULTIPACKS, Keyed Alike system – see page 76

IRON LINE KZZS S30	TWINS set of two cast iron shackle padlocks, black, blister	32	5	15,5	17	30	15	5902203358498	OKZPS2A3000.06150B
IRON LINE KZZS S30	TRIPLES set of three cast iron shackle padlocks, black, blister	32	5	15,5	17	30	15	5902203358504	OKZPS3A3000.06150B
IRON LINE KZZS S30	QUADS set of four cast iron shackle padlocks, black, blister	32	5	15,5	17	30	15	5902203358511	OKZPS4A3000.06150B
IRON LINE KZZS S40	TWINS set of two cast iron shackle padlocks, black, blister	38	6	21	24	34	17	5902203358528	OKZPS2A4000.06150B
IRON LINE KZZS S40	TRIPLES set of three cast iron shackle padlocks, black, blister	38	6	21	24	34	17	5902203358535	OKZPS3A4000.06150B
IRON LINE KZZS S50	TWINS set of two cast iron shackle padlocks, black, blister	50	8	26	32	43	22	5902203358542	OKZPS2A5000.06250B
IRON LINE KZZS S60	TWINS set of two cast iron shackle padlocks, black, blister	63	9,5	31,5	31,5	52	26	5902203358559	OKZPS2A6000.06350B



IRON LINE KZZC

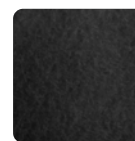
The iron cast padlock with shielded shackle is designed for general use and for securing property of small value.

🛡 Gerda product security class: 6 / 7

🔑 Number of keys: 3

Parameters

Colour

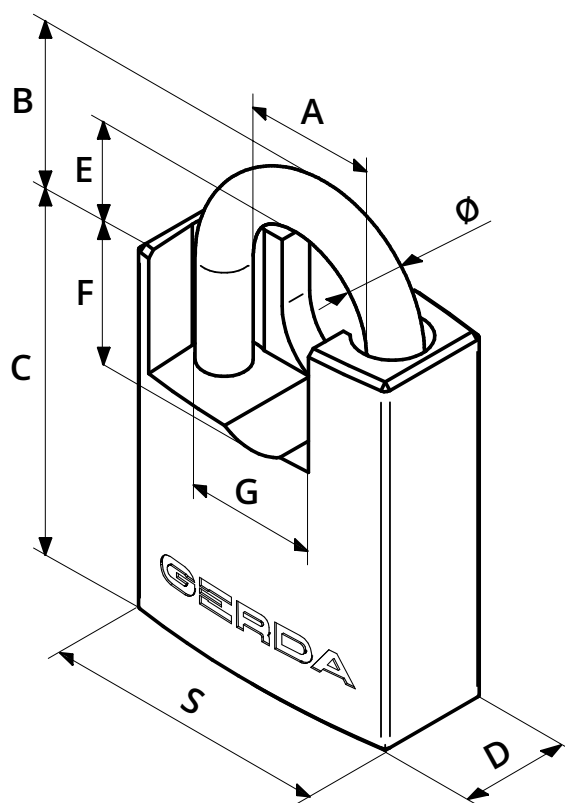


black

Specification

- solid cast iron body
- shielded shackle of chrome-plated surface-hardened steel
- snap-type closure that allows the padlock to be closed without a key
- locking of the shackle on both sides (from size S40 upwards)
- drainage hole for increased corrosion resistance
- shielded shackle for increased padlock security
- the set includes three keys

Technical data



Model	Parameters	S	Ø	A	B	C	D	E	F	G	EAN	Index
IRON LINE KZZC S50	cast iron shielded shackle padlock, black, box	50	8,5	22	28	42	20	5	22,5	22	5902203198186	OKZR0005000.90330P
IRON LINE KZZC S60	cast iron shielded shackle padlock, black, box	60	10	24,5	34,5	48	20	11,5	23	24	5902203198209	OKZR0006000.90330P
IRON LINE KZZC S70	cast iron shielded shackle padlock, black, box	70	11	28,5	39	49,5	22	14	25	29	5902203198223	OKZR0007000.90330P



IRON LINE KZZT

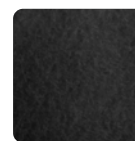
The iron cast pin shackle padlock is designed for general use and for securing property of small value.

🛡️ Gerda product security class: 6 / 7

🔑 Number of keys: 3

Parameters

Colour

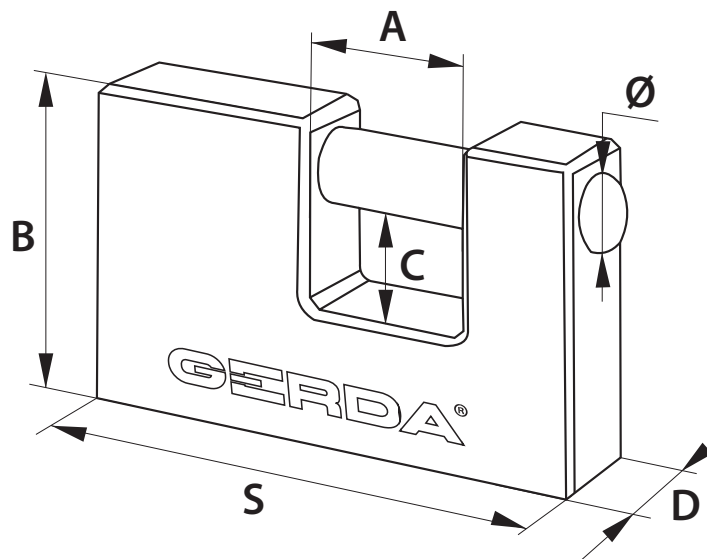


black

Specification

- solid cast iron body
- pin shackle of chrome-plated surface-hardened steel
- snap-type closure that allows the padlock to be closed without a key
- the set includes three keys

Technical data



Model	Parameters	S	Ø	A	B	C	D	EAN	Index
IRON LINE KZZT T50	cast iron pin shackle padlock, black, box	50	8	14	38	9	15	5902203177877	OKZT0005000.06130P
IRON LINE KZZT T60	cast iron pin shackle padlock, black, box	60	10	21	44	11	16	5902203177891	OKZT0006000.06130P
IRON LINE KZZT T70	cast iron pin shackle padlock, black, box	70	12	22	47	12	18	5902203177914	OKZT0007000.06230P
IRON LINE KZZT T80	cast iron pin shackle padlock, black, box	80	12	28	52	13	18	5902203178126	OKZT0008000.06230P
IRON LINE KZZT T90	cast iron pin shackle padlock, black, box	90	12	36	58	17	18	5902203177938	OKZT0009000.06230P

IRON LINE KZZT T50	cast iron pin shackle padlock, black, blister	50	8	14	38	9	15	5902203177877	OKZT0005000.06130B
IRON LINE KZZT T60	cast iron pin shackle padlock, black, blister	60	10	21	44	11	16	5902203177891	OKZT0006000.06130B
IRON LINE KZZT T70	cast iron pin shackle padlock, black, blister	70	12	22	47	12	18	5902203177914	OKZT0007000.06230B
IRON LINE KZZT T80	cast iron pin shackle padlock, black, blister	80	12	28	52	13	18	5902203178126	OKZT0008000.06230B
IRON LINE KZZT T90	cast iron pin shackle padlock, black, blister	90	12	36	58	17	18	5902203177938	OKZT0009000.06230B



BRASS LINE TWINS KMZ S30

Pack of two shackle padlocks with 5 keys. Padlocks designed for general applications and protection of lower property value. Perfect for closing gates and wickets and in places such as allotment gardens or window grilles.

 Keyed Alike system

- Technical details on page: 57



BRASS LINE TRIPLES KMZ S30

Pack of three shackle padlocks with 5 keys. Padlocks designed for general applications and protection of lower property value. Perfect for closing gates and wickets and in places such as allotment gardens or window grilles.

 Keyed Alike system

- Technical details on page: 57



BRASS LINE QUADS KMZ S30

Pack of four shackle padlocks with 5 keys. Padlocks designed for general applications and protection of lower property value. Perfect for closing gates and wickets and in places such as allotment gardens or window grilles.

 Keyed Alike system

- Technical details on page: 57



BRASS LINE TWINS KMZ S40

Pack of two shackle padlocks with 5 keys. Padlocks designed for general applications and protection of lower property value. Perfect for closing gates and wickets and in places such as allotment gardens or window grilles.

 Keyed Alike system

- Technical details on page: 57

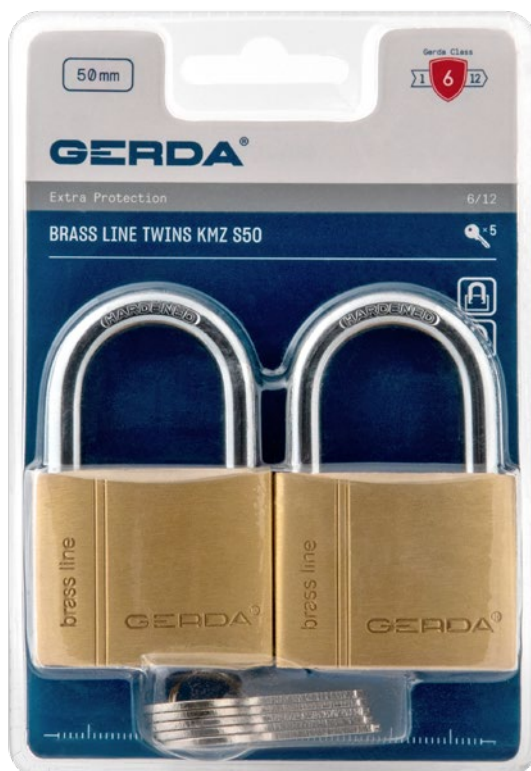


BRASS LINE TRIPLES KMZ S40

Pack of three shackle padlocks with 5 keys. Padlocks designed for general applications and protection of lower property value. Perfect for closing gates and wickets and in places such as allotment gardens or window grilles.

 Keyed Alike system

- Technical details on page: 57



BRASS LINE TWINS KMZ S50

Pack of two shackle padlocks with 5 keys. Padlocks designed for general applications and protection of lower property value. Perfect for closing gates and wickets and in places such as allotment gardens or window grilles.

 Keyed Alike system

- Technical details on page: 57



BRASS LINE TWINS KMZ S60

Pack of two shackle padlocks with 5 keys. Padlocks designed for general applications and protection of lower property value. Perfect for closing gates and wickets and in places such as allotment gardens or window grilles.

 Keyed Alike system

- Technical details on page: 57



IRON LINE TWINS KZZS S30

Pack of two shackle padlocks with 5 keys. Cast iron padlocks for general applications and property protection of lower value.

 Keyed Alike system

- Technical details on page: 71



IRON LINE TRIPLES KZZS S30

Pack of three shackle padlocks with 5 keys. Cast iron padlocks for general applications and property protection of lower value.

 Keyed Alike system

- Technical details on page: 71



IRON LINE QUADS KZZS S30

Pack of four shackle padlocks with 5 keys. Cast iron padlocks for general applications and property protection of lower value.

 Keyed Alike system

- Technical details on page: 71



IRON LINE TWINS KZZS S40

Pack of two shackle padlocks with 5 keys. Cast iron padlocks for general applications and property protection of lower value.

 Keyed Alike system

- Technical details on page: 71



IRON LINE TRIPLES KZZS S40

Pack of three shackle padlocks with 5 keys. Cast iron padlocks for general applications and property protection of lower value.

 Keyed Alike system

- Technical details on page: 71



IRON LINE TWINS KZZS S50

Pack of two shackle padlocks with 5 keys.
Cast iron padlock for general applications
and property protection of lower value.

 Keyed Alike system

- Technical details on page: 71



IRON LINE TWINS KZZS S60

Pack of two shackle padlocks with 5 keys.
Cast iron padlock for general applications
and property protection of lower value.

 Keyed Alike system

- Technical details on page: 71



03

MORTISE LOCKS

ZW 1000	86
ZW 3000	88
ZW 500	90
ZW 550	90
ZW 100	92
ZW 80	96
ZW 60	98



ZW 1000

Gerda ZW 1000 is designed to be installed in burglary-proof entrance doors, it is a lock for external doors. Its construction is based on the highest quality materials (including hardened elements).

🔑 **Security class: 7**

🛡️ **Gerda product security class: 12**

Parameters

Colour

Certificate

3	S	2	0	0	0	7	H	A	2	0
---	---	---	---	---	---	---	---	---	---	---

Lock classification acc. to standard PN-EN 12209:2005
Certificate issued by the Institute of Precision Mechanics

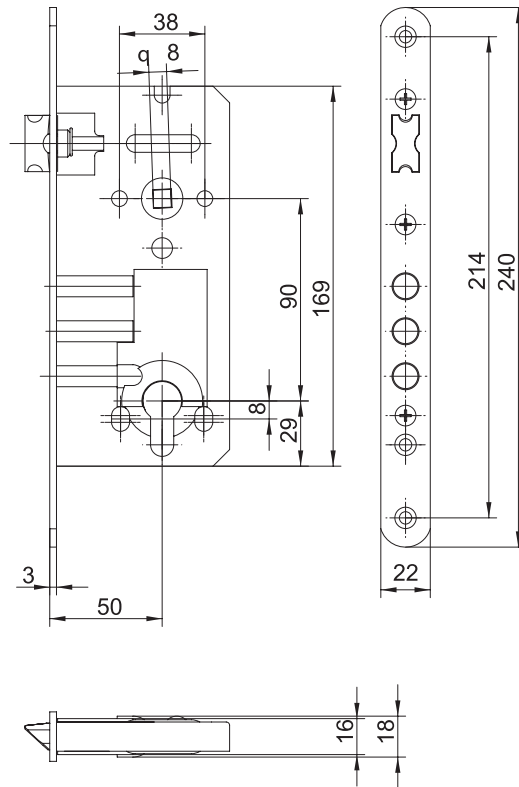


chrome

Specification

- highest security class – 7 (according to PN-EN 12209:2005)
- mortise lock with three massive steel bolts
- used as the main lock on the door
- screwed steel case and riveted faceplate
- thanks to additional hardened cover it is resistant to drilling
- highest durability allowing to work for more than 200 000 cycles
- the lock design allows easy change of lock direction from right to left and vice versa
- spacing:
 - distance from the axis of the insert to the faceplate – 50 mm
 - distance from the axis of the handle to the axis of the insert – 90 mm
- lock adapted to the cylinders with a cam
- screw-on faceplate
- set includes mounting screws

Technical data



Model	Parameters	EAN	Index
ZW 1000 90/50	universal mortise lock, chrome, box	5901407513993	0ZW1H0W9050.9900AP



ZW 3000

Multipoint mortise lock in the highest security class equipped with bands for driving additional door locking elements.

🔑 Security class: 7

🛡️ Gerda product security class: 12

Parameters

Colour

Certificate

3	S	2	0	0	0	7	H	A	2	0
---	---	---	---	---	---	---	---	---	---	---

Lock classification acc. to standard PN-EN 12209:2005
Certificate issued by the Institute of Precision Mechanics

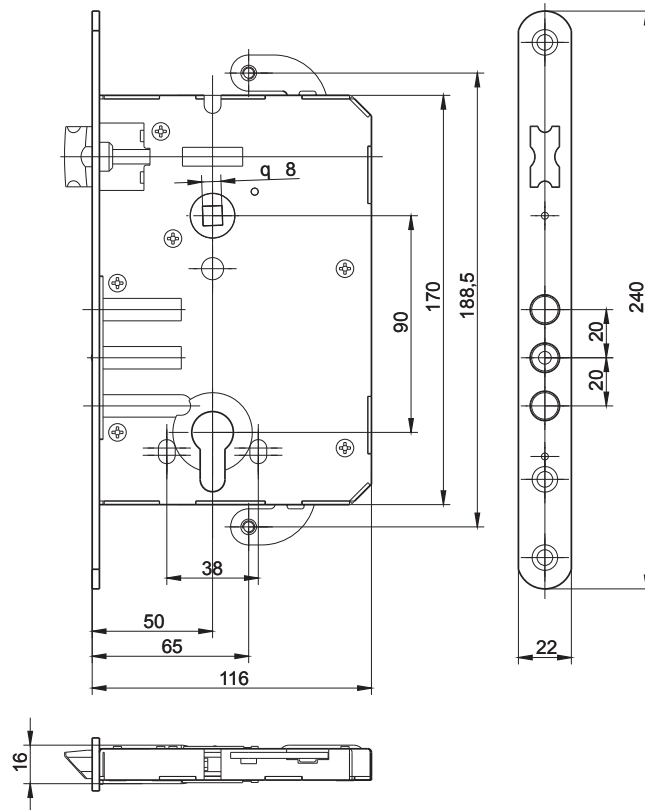


galvanised
silver

Specification

- highest security class – 7 (according to PN-EN 12209:2005)
- multipoint mortise lock for a cylinder, with three massive steel bolts
- equipped with bands for driving additional door locking elements
- used as the main lock on the door
- screwed steel case and riveted faceplate
- thanks to additional hardened cover it is resistant to drilling
- highest durability of the mechanism – over 200 000 cycles
- the lock design allows easy change of lock direction from right to left and vice versa
- spacing:
 - distance from the axis of the insert to the faceplate – 50 mm
 - distance from the axis of the handle to the axis of the insert – 90 mm
- adapted to cylinders with a cam (ZW 3000) or cog wheel cam (ZW 3000Z)
- riveted faceplate
- set includes mounting screws

Technical data



Model	Parameters	EAN	Index
ZW 3000 90/50	universal mortise lock, cam, twisted bands, galvanised silver, plastic bag	5902203305867	OZW3C0W9050.92000X
ZW 3000 90/50	universal mortise lock, cam, twisted bands, galvanised silver, box	5903373003010	OZW3H0W9050.92000P
ZW 3000Z 90/50	universal mortise lock, cog wheel cam, folded bands, galvanised silver, plastic bag	5902203174975	OZW3P0W9050.9200AX
-	set of vertical bands for ZW 3000 lock, plastic bag	5902203305874	OADCW3S0000.92000X



ZW 500 / ZW 550

The ZW 500 / ZW 550 locks are designed for installation in burglary-proof entrance doors as an additional mortise lock.

 **Security class: 6 / 7**

 **Gerda product security class: 10 / 12**

Parameters

Certificate

ZW 500

-	C	1	0	0	0	6	0
---	---	---	---	---	---	---	---

ZW 550

-	C	1	0	0	0	7	0
---	---	---	---	---	---	---	---

Lock classification acc. to standard PN-EN 12209:2016-04
Certificate issued by the Institute of Precision Mechanics

Colours



galvanised
silver



galvanised
golden

Specification

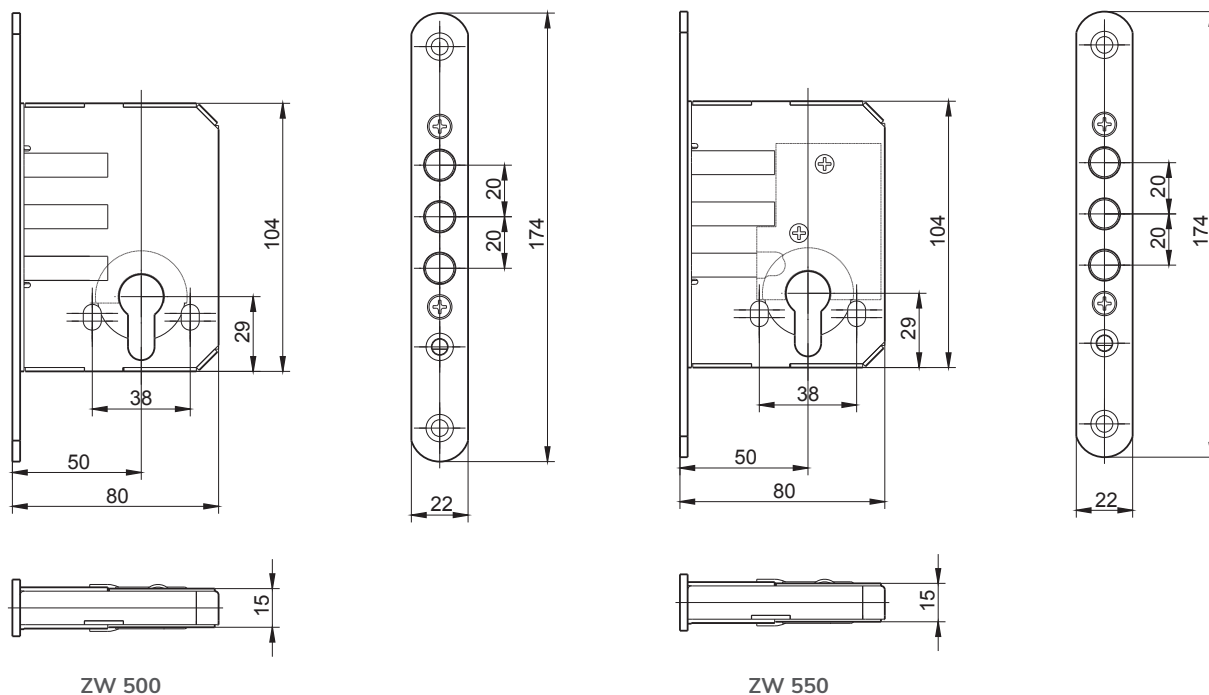
- highest security class – 7 (according to PN-EN 12209:2005) for ZW 550 version / security class – 6 for ZW 500 version
- mortise lock with three massive steel bolts
- it is used as an additional mortise lock in doors
- screwed steel case and screwed steel faceplate
- the ZW 550 version has been equipped with an additional hardened cover to protect the lock from drilling
- the highest durability – over 200 000 cycles
- distance from the axis of the insert to the faceplate – 50 mm
- lock adapted to the cylinders with a cam
- set includes flat bracket and mounting screws

Options available

- angle bracket available *

* available on request order

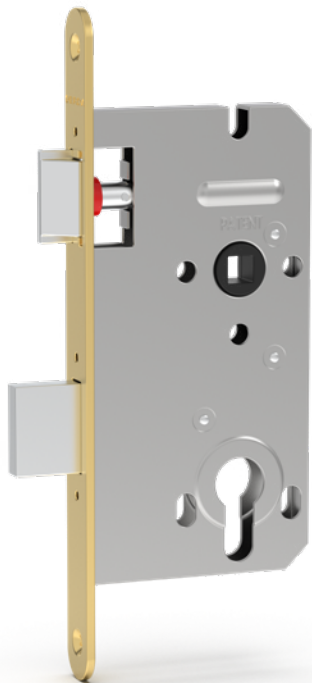
Technical data



ZW 500

ZW 550

Model	Parameters	EAN	Index
ZW 500	universal mortise lock, galvanised golden, vacuum skin pack	5903373009128	OZW500W0050.91000S
ZW 500	universal mortise lock, carpentry version, galvanised golden, cardboard box – 36 pcs	5902203178645	OZW500W0050.9100TX
ZW 500	universal mortise lock, galvanised silver, vacuum skin pack	5903373008831	OZW500W0050.92000S
ZW 500	universal mortise lock, carpentry version, galvanised silver, cardboard box – 36 pcs	5901407510619	OZW500W0050.9200TX
ZW 550	universal mortise lock, galvanised silver, vacuum skin pack	5903373008824	OZW550W0050.92000S
ZW 550	universal mortise lock, carpentry version, galvanised silver, cardboard box – 36 pcs	5901407510626	OZW550W0050.9200TX



ZW 100

Universal mortise lock available in a wide range of options, suitable for different sizes and types of doors.

🔑 Security class: 1

🛡️ Gerda product security class: 5

Parameters

Colours

Certificate

1	B	7	0	0	0	1	0
---	---	---	---	---	---	---	---

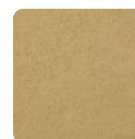
Lock classification acc. to standard PN-EN 12209:2016-04
Certificate issued by Institute of Precision Mechanics



galvanised silver



galvanised golden

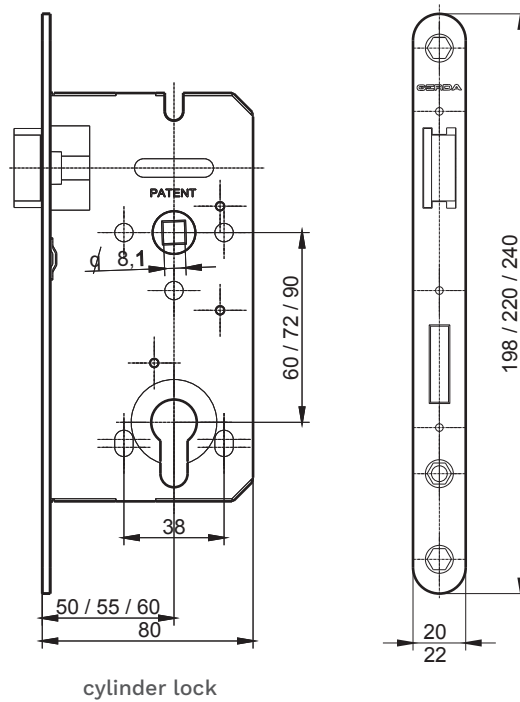


brass

Specification

- special spacing of faceplate and case size
- riveted steel case and riveted steel faceplate
- the lock design allows easy change of lock direction from right to left and vice versa
- high durability – over 50 000 cycles
- lock available in the following configurations: cylinder with a cam, key, or WC
- available spacing according to the table with lock sizes
- set includes angle bracket and mounting screws

Technical data

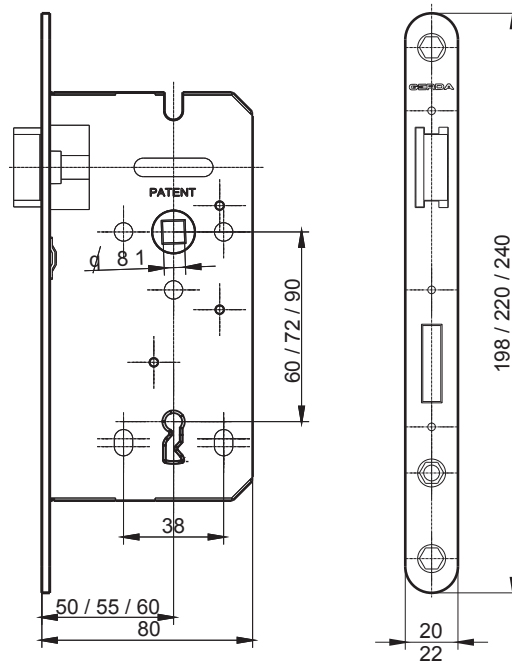


Model	Parameters	EAN	Index
ZW 100 60/50	universal mortise cylinder lock, galvanised golden, box	5903373001313	OZW100W6050.91000P
ZW 100 60/50	universal mortise cylinder lock, galvanised silver, box	5903373000958	OZW100W6050.92000P
ZW 100 60/50	universal mortise cylinder lock, brass, box	5902203303108	OZW100W6050.98000P
ZW 100 72/50	universal mortise cylinder lock, galvanised golden, box	5903373001306	OZW100W7250.91000P
ZW 100 72/50	universal mortise cylinder lock, galvanised silver, box	5903373000941	OZW100W7250.92000P
ZW 100 72/55	universal mortise cylinder lock, galvanised golden, box	5903373006301	OZW100W7255.91000P
ZW 100 72/55	universal mortise cylinder lock, galvanised silver, box	5903373006295	OZW100W7255.92000P
ZW 100 72/60	universal mortise cylinder lock, galvanised golden, box	5903373001290	OZW100W7260.91000P
ZW 100 72/60	universal mortise cylinder lock, galvanised silver, box	5903373001047	OZW100W7260.92000P
ZW 100 90/50	universal mortise cylinder lock, galvanised golden, box	5903373001283	OZW100W9050.91000P
ZW 100 90/50	universal mortise cylinder lock, galvanised silver, box	5903373000934	OZW100W9050.92000P
ZW 100 72/60	universal mortise cylinder lock, brass, box	5903373008220	OZW100W7260.98000P
ZW 100 72/50	universal mortise cylinder lock, carpentry version, galvanised golden, cardboard box – 36 pcs	5903373003782	OZW100W7250.9100TX
ZW 100 72/50	universal mortise cylinder lock, carpentry version, galvanised silver, cardboard box – 36 pcs	5903373003799	OZW100W7250.9200TX
ZW 100 72/60	universal mortise cylinder lock, carpentry version, galvanised golden, cardboard box – 36 pcs	5903373003119	OZW100W7260.9100TX
ZW 100 72/60	universal mortise cylinder lock, carpentry version, galvanised silver, cardboard box – 36 pcs	5903373003065	OZW100W7260.9200TX
ZW 100 90/50	universal mortise cylinder lock, carpentry version, galvanised golden, cardboard box – 36 pcs	5903373003089	OZW100W9050.9100TX
ZW 100 90/50	universal mortise cylinder lock, carpentry version, galvanised silver, cardboard box – 36 pcs	5903373003034	OZW100W9050.9200TX

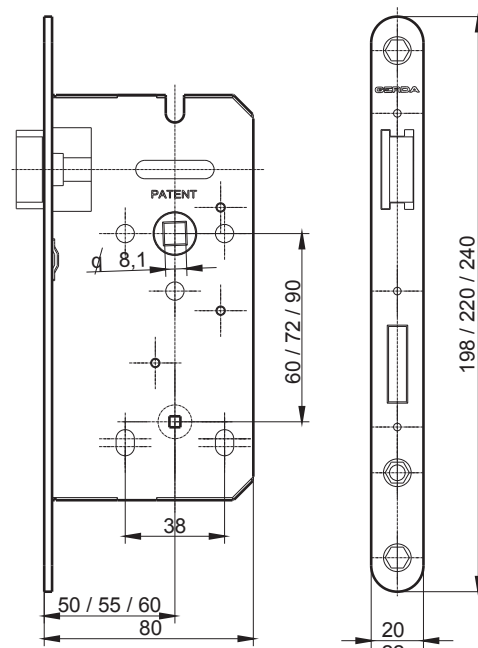
Model	Parameters	EAN	Index
ZW 100 60/50	universal mortise key lock, galvanised golden, box	5903373001276	OZW100K6050.91000P
ZW 100 60/50	universal mortise key lock, galvanised silver, box	5903373000927	OZW100K6050.92000P
ZW 100 72/50	universal mortise key lock, galvanised golden, box	5903373001269	OZW100K7250.91000P
ZW 100 72/50	universal mortise key lock, galvanised silver, box	5903373000910	OZW100K7250.92000P
ZW 100 72/55	universal mortise key lock, galvanised golden, box	5903373006424	OZW100K7255.91000P
ZW 100 72/55	universal mortise key lock, galvanised silver, box	5903373006417	OZW100K7255.92000P
ZW 100 72/60	universal mortise key lock, galvanised golden, box	5903373001252	OZW100K7260.91000P
ZW 100 72/60	universal mortise key lock, galvanised silver, box	5903373001054	OZW100K7260.92000P
ZW 100 72/60	universal mortise key lock, brass, box	5903373008763	OZW100K7260.98000P
ZW 100 90/50	universal mortise key lock, galvanised golden, box	5903373001245	OZW100K9050.91000P
ZW 100 90/50	universal mortise key lock, galvanised silver, box	5903373000903	OZW100K9050.92000P
ZW 100 72/50	universal mortise key lock, carpentry version, galvanised golden, cardboard box – 36 pcs	5903373003638	OZW100K7250.9100TX
ZW 100 72/50	universal mortise key lock, carpentry version, galvanised silver, cardboard box – 36 pcs	5903373003645	OZW100K7250.9200TX
ZW 100 72/60	universal mortise key lock, carpentry version, galvanised golden, cardboard box – 36 pcs	5903373003317	OZW100K7260.9100TX
ZW 100 72/60	universal mortise key lock, carpentry version, galvanised silver, cardboard box – 36 pcs	5903373003263	OZW100K7260.9200TX

ZW 100 60/50	universal mortise lock for WC door, galvanised golden, box	5903373001238	OZW100C6050.91000P
ZW 100 60/50	universal mortise lock for WC door, galvanised silver, box	5903373000989	OZW100C6050.92000P
ZW 100 72/50	universal mortise lock for WC door, galvanised golden, box	5903373001221	OZW100C7250.91000P
ZW 100 72/50	universal mortise lock for WC door, galvanised silver, box	5903373000972	OZW100C7250.92000P
ZW 100 72/55	universal mortise lock for WC door, galvanised golden, box	5903373006387	OZW100C7255.91000P
ZW 100 72/55	universal mortise lock for WC door, galvanised silver, box	5903373006370	OZW100C7255.92000P
ZW 100 72/60	universal mortise lock for WC door, galvanised golden, box	5903373001214	OZW100C7260.91000P
ZW 100 72/60	universal mortise lock for WC door, galvanised silver, box	5903373001061	OZW100C7260.92000P
ZW 100 72/60	universal mortise lock for WC door, brass, box	5903373008770	OZW100C7260.98000P
ZW 100 72/50	universal mortise lock for WC door, carpentry version, galvanised golden, cardboard box 36 pcs.	5903373003744	OZW100C7250.9100TX
ZW 100 72/50	universal mortise lock for WC door, carpentry version, galvanised silver, cardboard box 36 pcs.	5903373003751	OZW100C7250.9200TX
ZW 100 72/60	universal mortise lock for WC door, carpentry version, galvanised golden, cardboard box 36 pcs.	5903373003515	OZW100C7260.9100TX
ZW 100 72/60	universal mortise lock for WC door, carpentry version, galvanised silver, cardboard box 36 pcs.	5903373003461	OZW100C7260.9200TX

Technical data



key lock



WC door lock



ZW 80

Universal mortise lock available in a wide range of options, suitable for different sizes and types of doors.

➤ Security class: 1

🛡 Gerda product security class: 4

Parameters

Colour

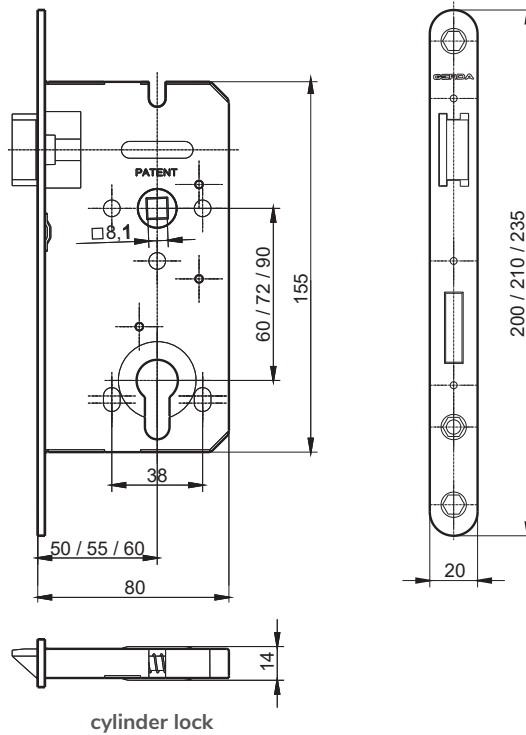


olive
varnish

Specification

- the spacing of the faceplate mounting holes and the case size are standardized to the dimensions most commonly used on the market
- riveted steel case and riveted steel faceplate
- the lock design allows easy change of lock direction from right to left and vice versa
- high durability – over 50 000 cycles
- lock available in the following configurations: cylinder with a cam, key or WC
- available spacing according to the table with lock sizes
- set includes angle bracket and mounting screws

Technical data



Model	Parameters	EAN	Index
ZW 80 90/50	universal mortise cylinder lock, olive, box	5902203343326	0ZW080W9050.A3000P
ZW 80 72/60	universal mortise cylinder lock, olive, box	5902203343357	0ZW080W7260.A3000P
ZW 80 72/50	universal mortise cylinder lock, olive, box	5902203343388	0ZW080W7250.A3000P
ZW 80 60/50	universal mortise cylinder lock, olive, box	5902203343418	0ZW080W6050.A3000P
ZW 80 72/55	universal mortise cylinder lock, olive, box	5902203343562	0ZW080W7255.A3000P
ZW 80 90/50	universal mortise key lock, olive, box	5902203343333	0ZW080K9050.A3000P
ZW 80 72/60	universal mortise key lock, olive, box	5902203343340	0ZW080K7260.A3000P
ZW 80 72/50	universal mortise key lock, olive, box	5902203343371	0ZW080K7250.A3000P
ZW 80 60/50	universal mortise key lock, olive, box	5902203343401	0ZW080K6050.A3000P
ZW 80 72/55	universal mortise key lock, olive, box	5902203343555	0ZW080K7255.A3000P
ZW 80 72/60	universal mortise lock for WC door, olive, box	5902203343364	0ZW080C7260.A3000P
ZW 80 72/50	universal mortise lock for WC door, olive, box	5902203343395	0ZW080C7250.A3000P
ZW 80 60/50	universal mortise lock for WC door, olive, box	5902203343425	0ZW080C6050.A3000P
ZW 80 72/55	universal mortise lock for WC door, olive, box	5902203343579	0ZW080C7255.A3000P



ZW 60

Mortise lock dedicated mainly to wicket gates.

Parameters

Colour

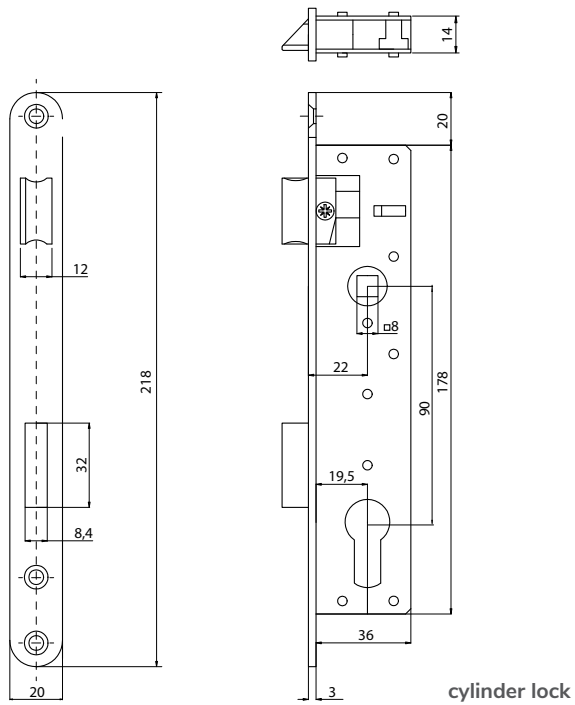


black

Specification

- universal mortise lock available in a wide range of products, suitable for different sizes and types of doors
- riveted steel case and riveted steel faceplate
- available version of the lock with a ratchet dedicated to work with the handle
- available version of the lock with roller without handle
- the lock design allows easy change of lock direction from right to left and vice versa
- lock with roller has adjustable roller depth
- lock available in the following configurations: cylinder, driver, key, or restroom
- available spacing:
 - distance from the axis of the cylinder to the faceplate – 22 mm
 - distance from the axis of the handle to the axis of the cylinder – 90 mm
- set includes angle bracket and mounting screws
- available version of the lock for cylinder with a cam
- set includes flat bracket and mounting screws

Technical data



Model	Parameters	EAN	Index
ZW 60R 90/22	mortise cylinder lock, roll (no handle), black, box	5902203343449	0ZW06WR9022.06000P
ZW 60Z 90/22	mortise cylinder lock, latch, black, box	5902203343463	0ZW06WZ9022.06000P



04

SURFACE MOUNTED LOCKS

TYTAN VARIANT	102
G 1000 PLUS	104
TYTAN ZX	106
TYTAN ZX PLUS	110
TYTAN ZX 1000	112
TYTAN ZXZ	114
TYTAN ZK	116
TYTAN ZE-1 (Z)	118
TYTAN ZE-1 (W)	120
TYTAN Z2	122
TYTAN ACCESSORIES	124
ZG 100 / ZG 200	126
ZN 100 / ZN 200 / ZN 200Z	128



TYTAN VARIANT A, B, C --- LOCK CODE RECOMBINATION SYSTEM

Specification

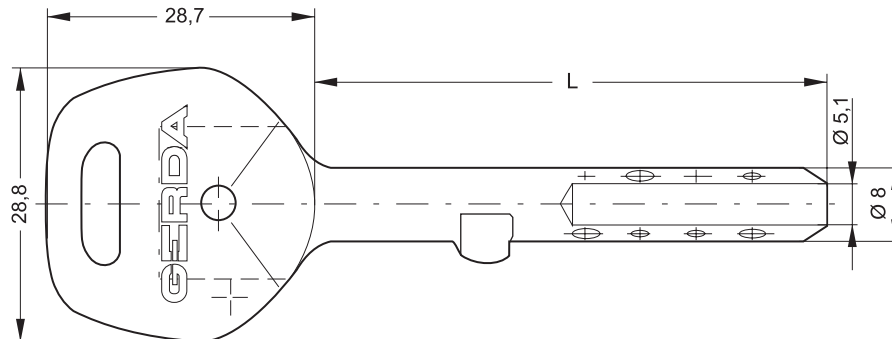
- This is a system that makes it quick and easy to change the lock code from transitional to target. The system is applicable in situations of temporary access to an apartment or a secured area. Locks of the TYTAN VARIANT group have a set of tubular A, B, and C keys. The A version keys are those used by the installer or service technician. Version B keys are target keys, they make changes to the lock code of the keys from version A. Version C keys are backup keys used in the event that version B keys are lost or stolen. Any B or C version key changes the lock code.
- The change of the lock code is docked with a key from a B or C set when inserting it into the lock and making one or two full turns. Chassis recoding is automatic and the lock code is matched to the used key from a given B or C set.
- Locks equipped with a VARIANT type cylinder mechanism have three sets of keys in the following quantities:
 - set A – 4 pcs. of keys
 - set B – 3 pcs. of keys
 - set C – 2 pcs. of keys
- If the starter number of keys in set B or C is insufficient, the number of keys should be increased by making additional correct keys at an authorized key making shop.

Options available

- order the TYTAN VARIANT version of the product for an additional fee*

Matching the lock to the thickness of the door

- In order to match the lock of the TYTAN series to the thickness of the door, it is necessary to use the correct keys and the appropriate keyhole plates according to the table below:



Door leaf thickness	Key type	Escutcheon type
53 mm	GT2 (L = 48 mm)	flat, weather-resistant, reinforced
78 mm	GT8 (L = 73 mm)	flat, weather-resistant, reinforced
100 mm	GT7 (L = 95,5 mm)	flat, weather-resistant, reinforced
64 mm	GT2 (L = 48 mm)	concave
89 mm	GT8 (L = 73 mm)	concave
111 mm	GT7 (L = 95,5 mm)	concave

G 1000 PLUS LOCK

- The G1000 Plus lock is dedicated to those who require the highest security standards. The G1000 Plus lock is equipped with a GTM1 tubular key. It is only available in one length – L=48 mm.
 - This lock does not work with GT2 keys (which have a different diameter of the key pin). GTM1 tubular keys for the G1000 Plus lock are available only at GERDA's main office in Sokołów. They can be ordered only through Business Partners and Authorized Key Fitting Points cooperating with GERDA.
-
- GTM1 key-making orders should be submitted to GEOS with additional information with a photo or scan of the code card sent to: mk@gerda.pl
 - For the maintenance of our locks, cylinders and padlocks, we recommend a GERDA product with a special purpose for precision devices requiring additional protection against corrosion and requiring adequate lubrication to ensure long-term operation and maintain full efficiency of the mechanisms. The product is available in an aerosol version in the following volumes: 25 ml, 100 ml and 400 ml.






It is possible to manufacture customized versions of TYTAN locks on request order:

- TYTAN locks with GT8 lub GT7 keys
- TYTAN locks with additional number of locks
- TYTAN locks in Keyed Alike system
- TYTAN locks in Master Key system
- TYTAN locks in TYTAN VARIANT system



G 1000 PLUS

A surface mounted lock with an elegant aluminum housing, equipped with a modified mechanism of the TYTAN series that uses tubular keys with a smaller diameter – GTM1.

-  **Security class: 7**
-  **Gerda product security class: 12**
-  **Number of keys: 4**
-  **NATO Certificate**
-  **IMP (IPM) Certificate**

Parameters

Colours

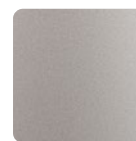
Certificate

3	C	1	0	0	0	7	E	A	O	H
---	---	---	---	---	---	---	---	---	---	---

Lock classification acc. to standard PN-EN 12209:2005
Certificate issued by the Institute of Precision Mechanics



polished
brass



satin nickel



polished
chrome

Specification

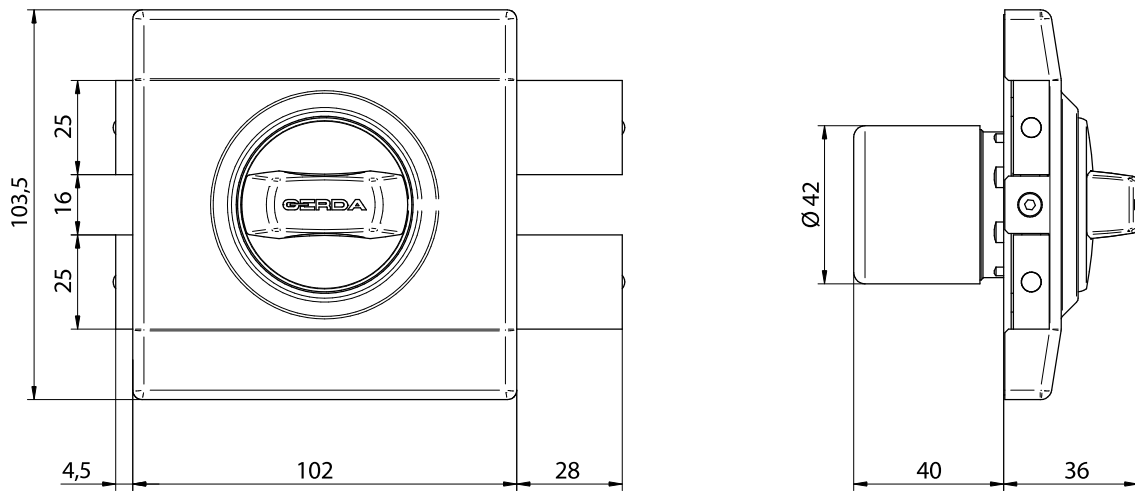
- highest security class – 7 (according to PN-EN 12209:2005)
- the modified mechanism of TYTAN series guarantees a revolutionary number of key code combinations – more than 4 billion
- security guaranteed by massive steel bolts, which have been further strengthened by hardened rollers (inside the bolts) ended with balls
- equipped with a hardened plate to protect against drilling
- installation method suitable for both rebated and non-rebated doors
- universal design for both left and right doors
- for doors with a leaf thickness of 53 mm – GTM1 key (L = 48 mm)
- set includes: 4 special GTM1 tubular keys, fasteners and box clamp in the color of the lock housing

Options available

- unifying several G 1000 PLUS locks in Keyed Alike system*
- Master Key system*

* available on request order

Technical data








Model	Parameters	EAN	Index
GERDA TYTAN G 1000 Plus	universal surface mounted lock, GTM1 keys, satin nickel, box	5902203197110	OZALLOU009P.G2140P
GERDA TYTAN G 1000 Plus	universal surface mounted lock, GTM1 keys, polished brass, box	5902203197134	OZALLOU009P.G8140P
GERDA TYTAN G 1000 Plus	universal surface mounted lock, GTM1 keys, polished chrome, box	5902203197158	OZALLOU009P.G9140P



TYTAN ZX

A classic TYTAN ZX lock. The surface lock on one side is equipped with a lock cylinder, and on the other side with a thumb-turn used to open the lock.

-  Security class: 7
-  Gerda product security class: 12
-  Number of keys: 4
-  NATO Certificate
-  IMP (IPM) Certificate

Parameters

Certificate

3	C	1	O	O	O	7	E	A	O	H
---	---	---	---	---	---	---	---	---	---	---

Lock classification acc. to standard PN-EN 12209:2005
Certificate issued by the Institute of Precision Mechanics

Specification

- highest security class – 7 (according to PN-EN 12209:2005)
- the patented mechanism characteristic of the TYTAN series guarantees a revolutionary number of key code combinations – more than 4 billion
- steel body
- security guaranteed by massive steel bolts
- equipped with an anti-burglary block and a knob block
- anti-drill block
- the way of mounting the lock in the standard configuration adapted to rebated doors
- in the standard version, the lock is dedicated to doors with a leaf thickness of 53 mm (GT2 key with length L= 48 mm)
- lock in standard version dedicated to doors opening inwards
- available lock configurations for left or right hand doors
- set includes: 4 tubular keys and a regular clamp

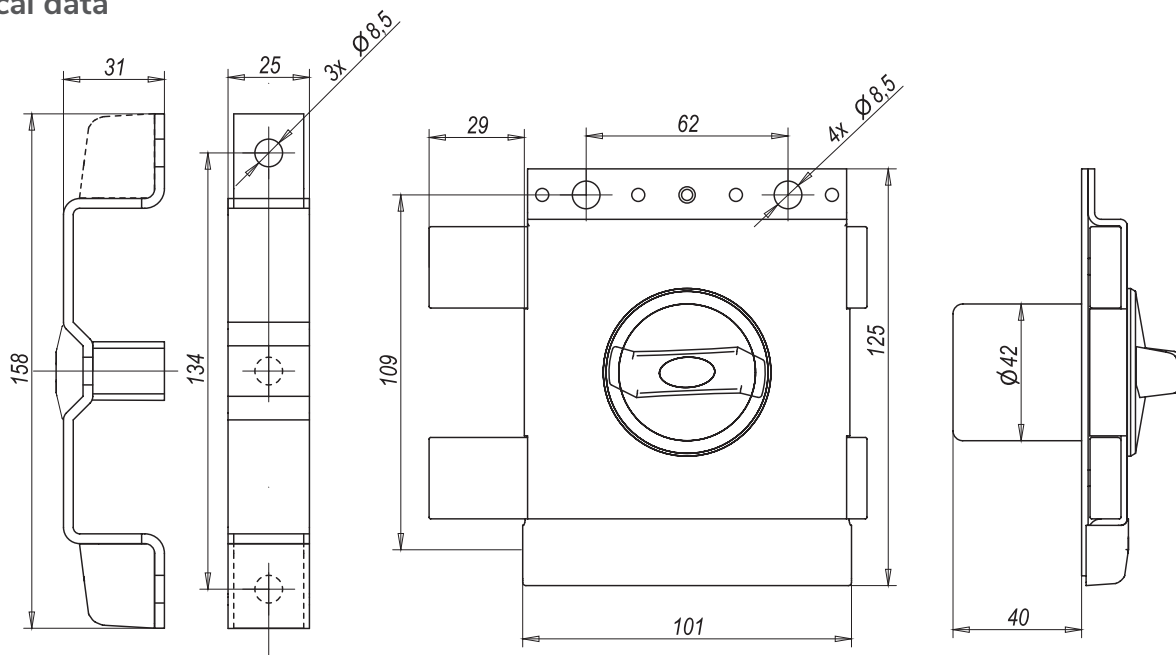
Colours



Options available

- lock with a clamp dedicated to non-rebated doors*
- lock with recombination of cylinder ratchets is available*
- unifying several TYTAN series locks in Keyed Alike system*
- Master Key system*

* available on request order

Technical data


Model	Parameters	EAN	Index
GERDA TYTAN ZX	surface mounted lock, left-hand, GT8 keys, white, box	5902203174005	OZX0X0L0000.0184AP
GERDA TYTAN ZX	surface mounted lock, left-hand, GT8 keys, brown, box	5906726640832	OZX0X0L0000.1784AP
GERDA TYTAN ZX	surface mounted lock, left-hand, GT8 keys, graphite, box	5902203174029	OZX0X0L0000.0584AP
GERDA TYTAN ZX	surface mounted lock, left-hand, white, box	5902203173831	OZX0X0L0000.0124AP
GERDA TYTAN ZX	surface mounted lock, left-hand, brown, box	5906726640801	OZX0X0L0000.1724AP
GERDA TYTAN ZX	surface mounted lock, left-hand, graphite, box	5902203173855	OZX0X0L0000.0524AP
GERDA TYTAN ZX	surface mounted lock, left-hand, black, box	5902203173862	OZX0X0L0000.0624AP
GERDA TYTAN ZX	surface mounted lock, left-hand, tall bracket, antique silver, box	5902203173954	OZX0X0L000A.0824AP
GERDA TYTAN ZX	surface mounted lock, right-hand, white, box	5902203177952	OZX0X0P0000.0124AP
GERDA TYTAN ZX	surface mounted lock, right-hand, brown, box	5906726640818	OZX0X0P0000.1724AP
GERDA TYTAN ZX	surface mounted lock, right-hand, GT8 keys, brown, box	5902203174906	OZX0X0P0000.1784AP
GERDA TYTAN ZX	surface mounted lock, right-hand, graphite, box	5902203174128	OZX0X0P0000.0524AP
GERDA TYTAN ZX	surface mounted lock, right-hand, black, box	5902203174135	OZX0X0P0000.0624AP

Key versions for larger door thicknesses

- GT8 key (L= 73 mm) – for doors with a leaf thickness of 78 mm*
- GT7 key (L= 95,5 mm) – for doors with a leaf thickness of 100 mm*

* available on request order






Model	Parameters	EAN	Index
GERDA TYTAN ZX	surface mounted lock, left-hand, without bracket, white, box	5902203301326	OZX0X0L000T.0124AP
GERDA TYTAN ZX	surface mounted lock, left-hand, without bracket, graphite, box	5902203177983	OZX0X0L000T.0524AP
GERDA TYTAN ZX	surface mounted lock, left-hand, without bracket, brown, box	5902203178027	OZX0X0L000T.1724AP
GERDA TYTAN ZX	surface mounted lock, right-hand, without bracket, brown, box	5902203178027	OZX0X0L000T.1724AP
GERDA TYTAN ZX	surface mounted lock, right-hand, without bracket, white, box	5902203301340	OZX0X0P000T.0124AP
GERDA TYTAN ZX	surface mounted lock, right-hand, without bracket, graphite, box	5902203178003	OZX0X0P000T.0524AP
GERDA TYTAN ZX	surface mounted lock, right-hand, without bracket, brown, box	5902203178041	OZX0X0P000T.1724AP
GERDA TYTAN ZX	surface mounted lock, left-hand, with 30 mm longer bracket (L=165 mm), ZX PLUS bracket, GT8 keys, graphite, box	5901407513269	OZX0X0L000C.0584AP
GERDA TYTAN ZX	surface mounted lock, left-hand, with 30 mm longer bracket (L=165 mm), ZX PLUS bracket, GT8 keys, brown, box	5901407513283	OZX0X0L000C.1784AP
GERDA TYTAN ZX	surface mounted lock, right-hand, with 30 mm longer bracket (L=165 mm), ZX PLUS bracket, GT8 keys, graphite, box	5901407513306	OZX0X0P000C.0584AP
GERDA TYTAN ZX	surface mounted lock, right-hand, with 30 mm longer bracket (L=165 mm), ZX PLUS bracket, GT8 keys, brown, box	5901407513320	OZX0X0P000C.1784AP
GERDA TYTAN ZX	surface mounted lock, right-hand, GT8 keys, graphite, box	5902203174883	OZX0X0P0000.0584AP
GERDA TYTAN ZX	surface mounted lock, right-hand, GT8 keys, white, box	5902203303085	OZX0X0P0000.0184AP





TYTAN ZX PLUS

A modification of the classic TYTAN ZX lock. A surface lock with an elegant aluminum housing, available in a wide range of colours.

-  **Security class: 7**
-  **Gerda product security class: 12**
-  **Number of keys: 4**
-  **NATO Certificate**
-  **IMP (IPM) Certificate**

Parameters

Colours

Certificate

3	C	1	O	O	O	7	E	A	O	H
---	---	---	---	---	---	---	---	---	---	---

Lock classification acc. to standard PN-EN 12209:2005
Certificate issued by Institute of Precision Mechanics



Specification

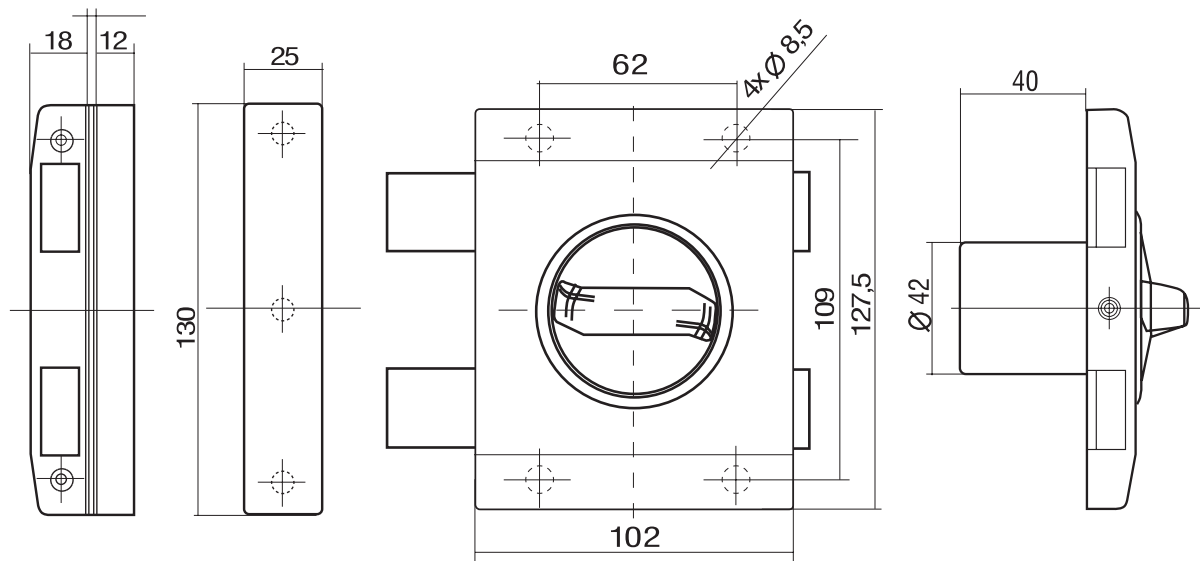
- highest security class – 7 (according to PN-EN 12209:2005)
- the patented mechanism characteristic of the TYTAN series guarantees
- a revolutionary number of key code combinations – more than 4 billion
- steel body
- security guaranteed by massive steel bolts
- equipped with an anti-burglary block
- installation method suitable for both rebated and non-rebated doors
- for doors with a leaf thickness of 53 mm (GT2 key), 78 mm (GT8 key) or 100 mm (GT7 key)
- includes 4 tubular keys (GERDA patented) and a box clamp in the color of the lock housing

Options available

- lock with recombination of cylinder ratchets*
- unifying several TYTAN series locks in Keyed Alike system*
- Master Key system*

* available on request order

Technical data



Model	Parameters	EAN	Index
GERDA TYTAN ZX Plus	surface mounted lock, left-hand, fixing components, anodised platinum, box	5903373005908	OZXP00L0000.40240P
GERDA TYTAN ZX Plus	surface mounted lock, left-hand, fixing components, anodised olive, box	5903373009258	OZXP00L0000.42240P
GERDA TYTAN ZX Plus	surface mounted lock, left-hand, fixing components, anodised golden, box	5903373005915	OZXP00L0000.44240P
GERDA TYTAN ZX Plus	surface mounted lock, left-hand, fixing components, satin black, box	5902203179390	OZXP00L0000.45240P
GERDA TYTAN ZX Plus	surface mounted lock, left-hand, fixing components, chrome, box	5903373009265	OZXP00L0000.99240P
GERDA TYTAN ZX Plus	surface mounted lock, right-hand, fixing components, anodised platinum, box	5903373007216	OZXP00P0000.40240P
GERDA TYTAN ZX Plus	surface mounted lock, right-hand, fixing components, anodised golden, box	5903373007209	OZXP00P0000.44240P

Key versions for larger door thicknesses






- GT8 key (L= 73 mm) – for doors with a leaf thickness of 78 mm*
- GT7 key (L= 95,5 mm) – for doors with a leaf thickness of 100 mm*

* available on request order



TYTAN ZX 1000

A modification of the classic TYTAN ZX lock. The lock is equipped with a RIM PRO SYSTEM drilled key.

-  **Security class: 7**
-  **Gerda product security class: 12**
-  **Number of keys: 5**
-  **NATO Certificate**
-  **IMP (IPM) Certificate**

Parameters

Certificate

3	C	1	O	O	O	7	E	A	O	H
---	---	---	---	---	---	---	---	---	---	---

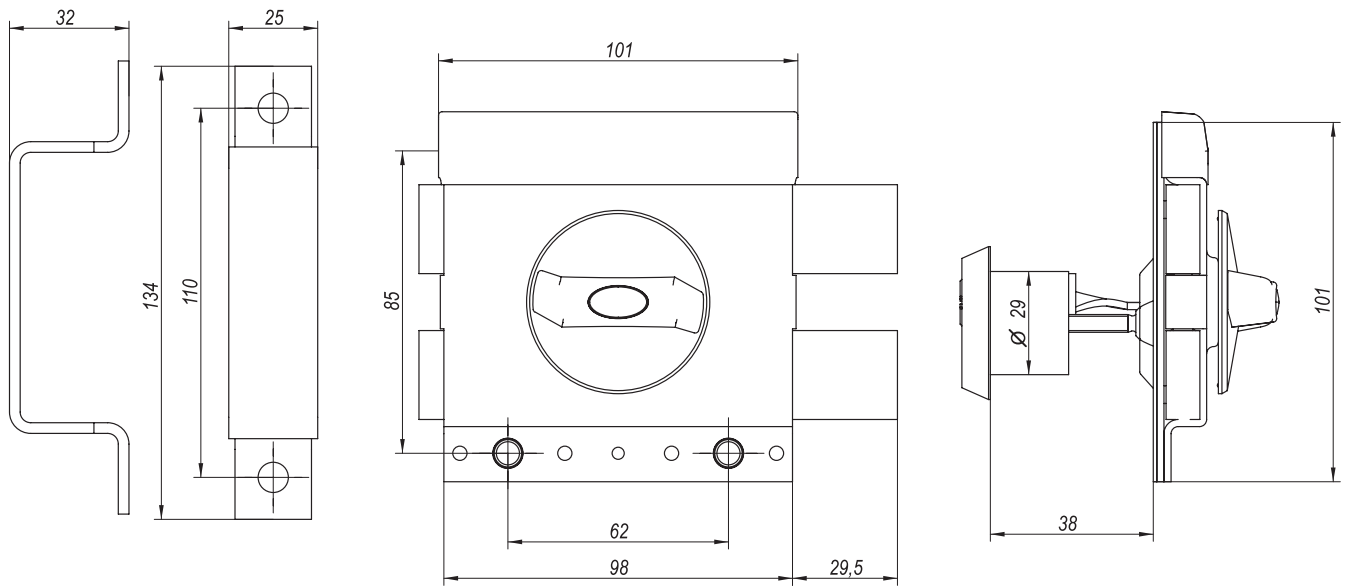
Lock classification acc. to standard PN-EN 12209:2005
Certificate issued by Institute of Precision Mechanics

Specification

- highest security class – 7 (according to PN-EN 12209:2005)
- the RIM PRO SYSTEM cylinder guarantees a high level of security – class 5 according to PN-EN 1303:2015
- steel body
- equipped with a hardened plate to protect against drilling
- security guaranteed by massive steel bolts
- universal design for both left and right doors
- lock in standard version dedicated to doors opening inwards
- for doors with leaf thickness from 38 mm to 68 mm
- the set includes: 5 PRO SYSTEM keys and a regular clamp

Colours



Technical data

Model	Parameters	EAN	Index
GERDA ZX 1000	universal surface mounted lock, white, box	5902203176214	OZX100U0000.0135AP
GERDA ZX 1000	universal surface mounted lock, brown, box	5902203175712	OZX100U0000.1735AP
GERDA ZX 1000	universal surface mounted lock, graphite, box	5902203175729	OZX100U0000.0535AP
GERDA ZX 1000	universal surface mounted lock, black, box	5902203175736	OZX100U0000.0635AP
GERDA ZX 1000	universal surface mounted lock, satin varnish, box	5902203175743	OZX100U0000.1235AP

Options available




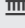

- lock with key code recombination*
- unify several locks of the ZX 1000 series in Keyed Alike system and PRO SYSTEM X profile cylinders dedicated to the main lock*
- locks of ZX 1000 series in the Master Key system and PRO SYSTEM X profile cylinders dedicated to main lock*
- an additional box clamp for installation in non-rebated doors*

* available on request order



TYTAN ZXZ

A modification of the classic TYTAN ZX lock. The surface lock on one side is equipped with a lock cylinder, and on the other side with a thumb-turn used to open the lock. Additionally equipped with a clamp with a latch included.

-  **Security class: 7**
-  **Gerda product security class: 12**
-  **Number of keys: 4**
-  **NATO Certificate**
-  **IMP (IPM) Certificate**

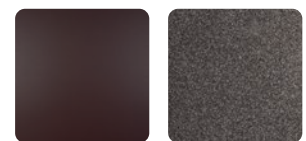
Parameters

Colours

Certificate

3	C	1	0	0	0	7	E	A	0	H
---	---	---	---	---	---	---	---	---	---	---

Lock classification acc. to standard PN-EN 12209:2005
Certificate issued by the Institute of Precision Mechanics



brown

graphite

Specification

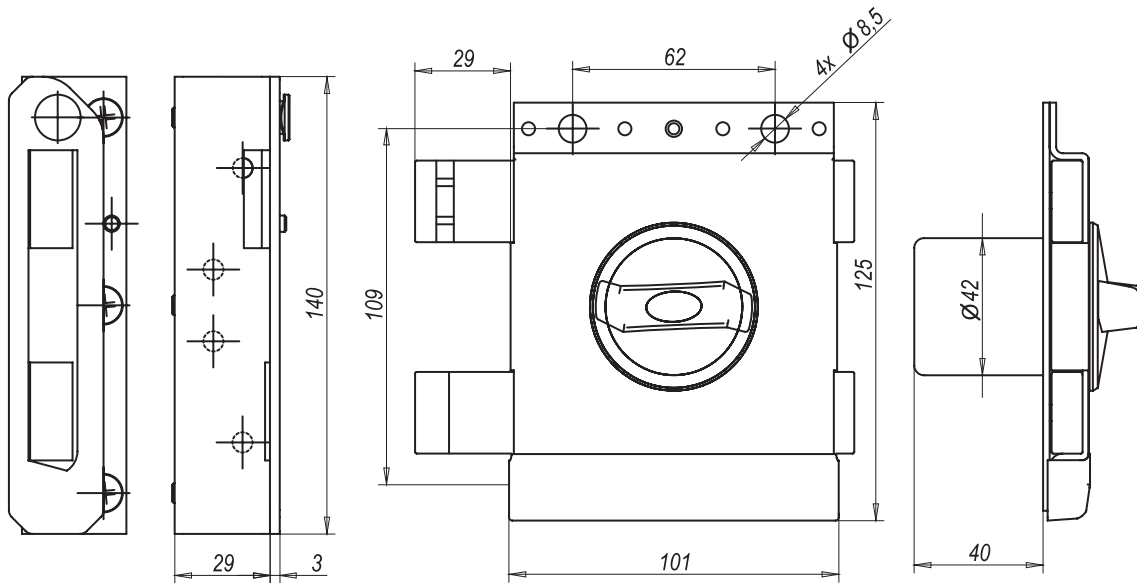
- highest security class – 7 (according to PN-EN 12209:2005)
- the patented mechanism characteristic of the TYTAN series guarantees a revolutionary number of key code combinations – more than 4 billion
- steel body
- security guaranteed by massive steel bolts
- equipped with an anti-burglary block
- installation method suitable for both rebated and non-rebated doors
- lock in standard version dedicated to doors opening inwards
- available lock configurations for left or right doors
- in the standard version, the lock is dedicated to doors with a leaf thickness of 53 mm (GT2 key with length L= 48 mm)
- set includes: 4 tubular keys, fixing elements and a high box clamp with a latch

Options available

- lock with recombination of cylinder ratchets*
- unifying several TYTAN series locks in Keyed Alike system*
- Master Key system*

* available on request order

Technical data



Model	Parameters	EAN	Index
GERDA TYTAN ZXZ	surface mounted lock, latch, left-hand, fixing components, brown, box	5906726640849	OZX0Z0L0000.1724AP
GERDA TYTAN ZXZ	surface mounted lock, latch, left-hand, fixing components, graphite, box	5902203174647	OZX0Z0L0000.0524AP
GERDA TYTAN ZXZ	surface mounted lock, latch, right-hand, fixing components, brown, box	5906726640856	OZX0Z0P0000.1724AP
GERDA TYTAN ZXZ	surface mounted lock, latch, right-hand, fixing components, graphite, box	5902203174661	OZX0Z0P0000.0524AP

Key versions for larger door thicknesses




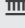

- GT8 key (L= 73 mm) – for doors with a leaf thickness of 78 mm*
- GT7 key (L= 95,5 mm) – for doors with a leaf thickness of 100 mm*

* available on request order



TYTAN ZK

A modification of the classic TYTAN ZX lock. Surface lock on both sides equipped with a lock chassis. Used in areas of required access control. Provides the ability to open transition doors on both sides between rooms (grilles, connecting rooms, tool rooms).

-  **Security class: 7**
-  **Gerda product security class: 12**
-  **Number of keys: 6**
-  **NATO Certificate**
-  **IMP (IPM) Certificate**

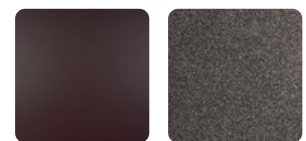
Parameters

Colours

Certificate

3	C	1	0	0	0	7	E	A	0	H
---	---	---	---	---	---	---	---	---	---	---

Lock classification acc. to standard PN-EN 12209:2005
Certificate issued by the Institute of Precision Mechanics



brown

graphite

Specification

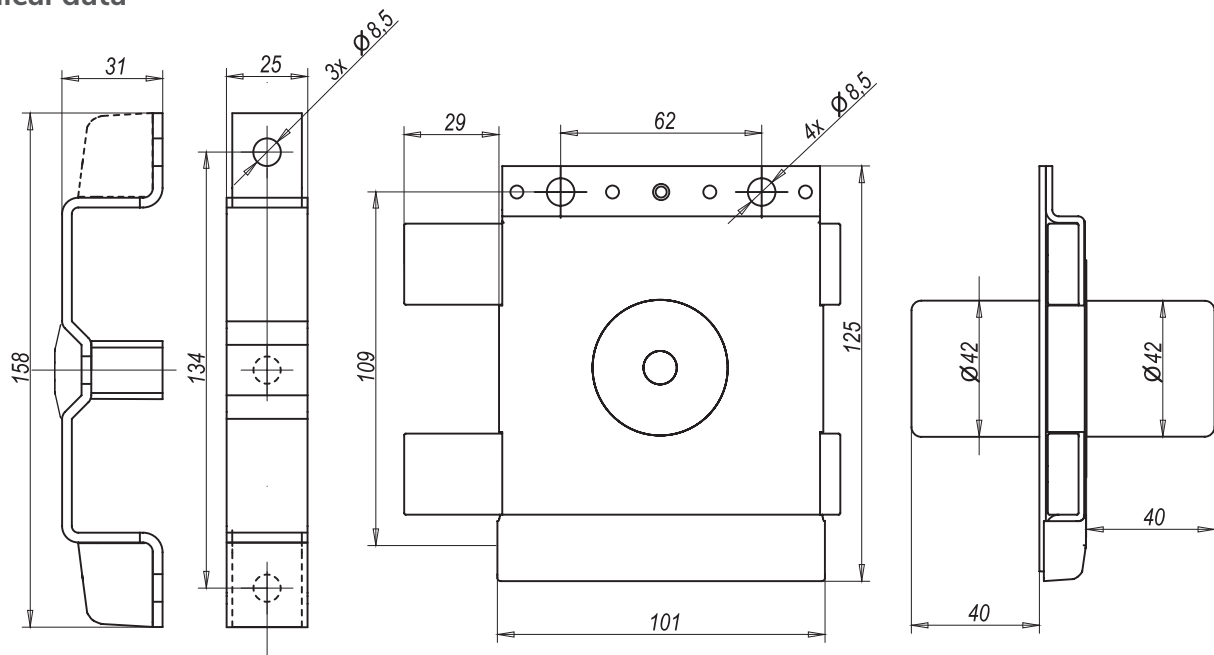
- highest security class – 7 (according to PN-EN 12209:2005)
- the patented mechanism characteristic of the TYTAN series guarantees a revolutionary number of key code combinations – more than 4 billion
- steel body
- security guaranteed by massive steel bolts
- equipped with an anti-burglary block
- installation method suitable for both rebated and non-rebated doors
- in the standard version, the lock is dedicated to doors with a leaf thickness of 53 mm (GT2 key with length L= 48 mm)
- set includes 6 tubular keys and a regular clamp

Options available

- lock with recombination of cylinder ratchets*
- unifying several TYTAN series locks in Keyed Alike system*
- Master Key system*
- an additional box clamp for installation in non-rebated doors*

* available on request order

Technical data



Model	Parameters	EAN	Index
GERDA TYTAN ZK	surface mounted lock, key-key, 6 keys, brown, box	5903373003867	OZK0X0L0000.03240P
GERDA TYTAN ZK	surface mounted lock, key-key, 6 keys, graphite, box	5903373002792	OZK0X0L0000.05240P

Key versions for larger door thicknesses






- GT8 key (L= 73 mm) – for doors with a leaf thickness of 78 mm*
- GT7 key (L= 95,5 mm) – for doors with a leaf thickness of 100 mm*

* available on request order

TYTAN ZE1 (Z)

for doors opening outwards

The ZE-1 lock is equipped with an electronic alarm system, and has the ability to integrate with alarm systems and smart home security. An attempt to break open the door will immediately trigger a sound alarm.

-  Security class: 3
-  Gerda product security class: 10
-  Number of keys: 4
-  NATO Certificate
-  IMP (IPM) Certificate



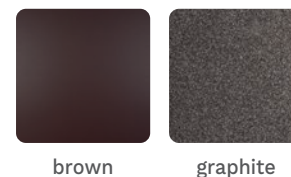
Parameters

Certificate

3	C	1	0	0	0	3	E	A	0	H
---	---	---	---	---	---	---	---	---	---	---

Lock classification acc. to standard PN-EN 12209:2005
Certificate issued by the Institute of Precision Mechanics

Colours



brown

graphite

Specification

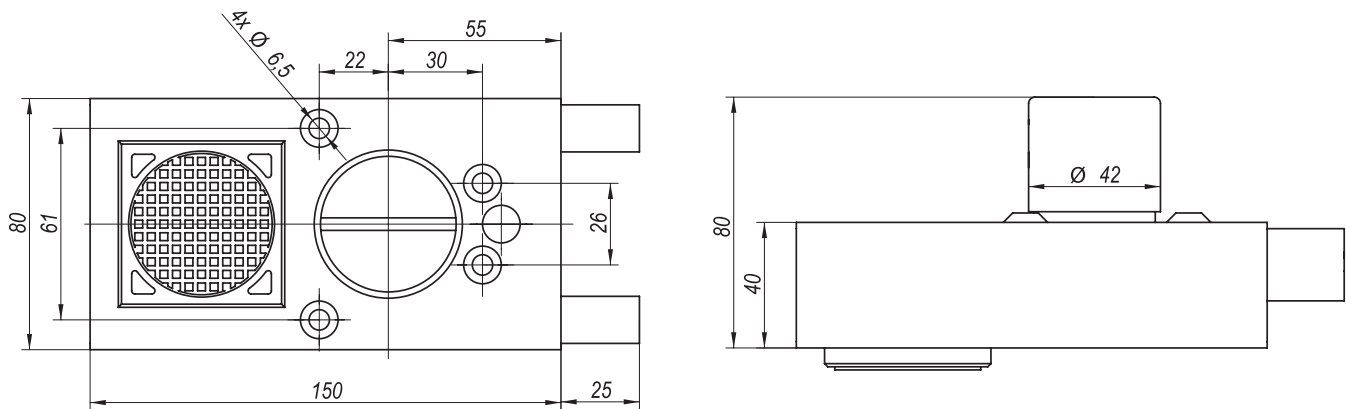
- a modification of the classic TYTAN ZX lock. Surface lock on one side equipped with the lock chassis, on the other with an alarm system and the thumb-turn used to open the lock
- protection class – 3 according to PN-EN 12209:2005
- steel body
- alarm signal with a volume of 110 dB that is activated when a break in attempt is detected at a pressure of more than 50 kg
- alarm system coupled with bolts
- the patented mechanism characteristic of the TYTAN series guarantees a revolutionary number of key code combinations – more than 4 billion
- security guaranteed by two massive steel bolts
- equipped with an anti-burglary block
- the installation method is adapted to rebated doors
- lock in standard version dedicated to outward opening doors
- lock configurations available for left and right handed doors
- in the standard version, the lock is dedicated to doors with a leaf thickness of 53 mm (key GT2 with a length of L= 48 mm)
- the set includes 4 tubular keys and an ordinary clamp

Options available

- lock with recombination of cylinder ratchets*
- unifying several TYTAN series locks in Keyed Alike system*
- Master Key system*

* available on request order

Technical data



Model	Parameters	EAN	Index
GERDA TYTAN ZE1	surface mounted external lock, left-hand, brown, box	5903373004758	OZE100N0000.03240P
GERDA TYTAN ZE1	surface mounted external lock, left-hand, graphite, box	5903373004765	OZE100N0000.05240P
GERDA TYTAN ZE1	surface mounted external lock, right-hand, brown, box	5903373004772	OZE100R0000.03240P
GERDA TYTAN ZE1	surface mounted external lock, right-hand, graphite, box	5903373004789	OZE100R0000.05240P

Key versions for larger door thicknesses

- GT8 key (L= 73 mm) – for doors with a leaf thickness of 78 mm*
- GT7 key (L= 95,5 mm) – for doors with a leaf thickness of 100 mm*






* available on request order



TYTAN ZE1 (W)

for doors opening inwards

The ZE-1 lock is equipped with an electronic alarm system, and has the ability to integrate with alarm systems and smart home security. An attempt to break open the door will immediately trigger a sound alarm.

-  **Security class: 7**
-  **Gerda product security class: 12**
-  **Number of keys: 4**
-  **NATO Certificate**
-  **IMP (IPM) Certificate**

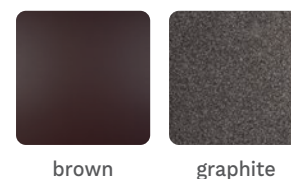
Parameters

Certificate

3	C	1	0	0	0	7	E	A	0	H
---	---	---	---	---	---	---	---	---	---	---

Lock classification acc. to standard PN-EN 12209:2005
Certificate issued by the Institute of Precision Mechanics

Colours



brown

graphite

Specification

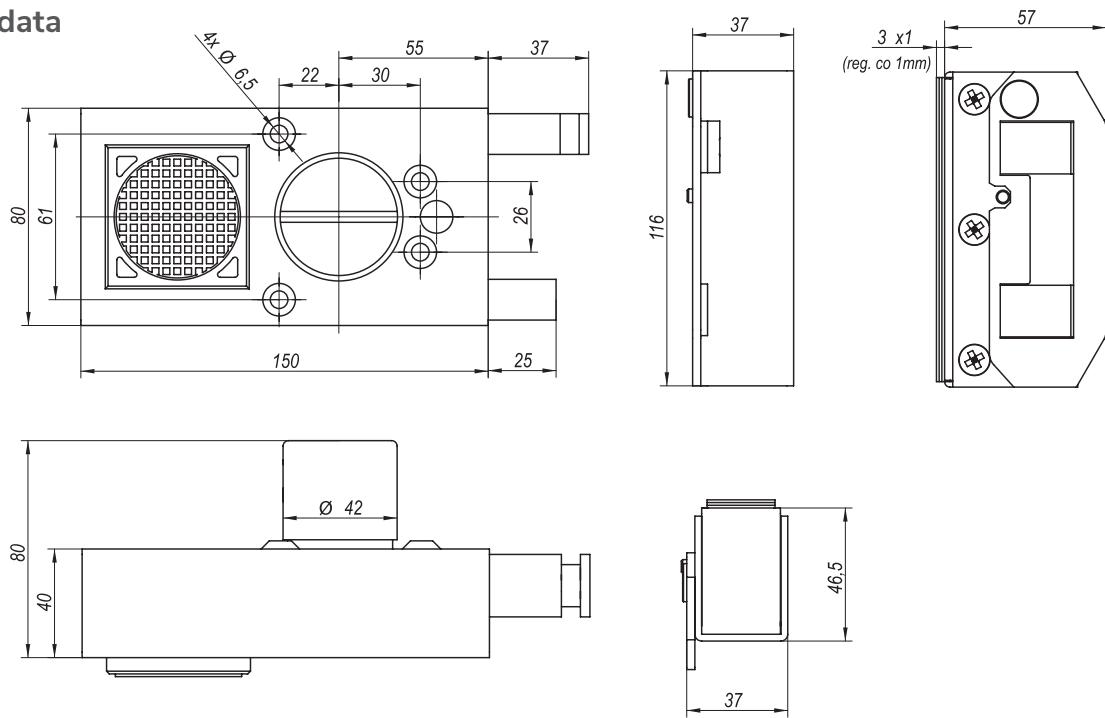
- highest security class – 7 according to PN-EN 12209:2005
- steel body
- alarm signal with a volume of 110 dB activated
- upon detection of a break in attempt at a pressure of more than 50kg
- the alarm system coupled to the bolts
- the patented mechanism specific to the TYTAN series guarantees a revolutionary number of key code combinations – more than 4 billion
- security guaranteed by massive steel bolts
- equipped with a rigid chain and box clamp
- equipped with an anti-burglary block
- installation method suitable for both rebated and non-rebated doors
- lock in standard version dedicated to doors opening inwards
- available lock configurations for left or right hand doors

Options available

- lock with recombination of cylinder ratchets*
- unifying several TYTAN series locks in Keyed Alike system*
- Master Key system*

* available on request order

Technical data



Model	Parameters	EAN	Index
GERDA TYTAN ZE1	surface mounted internal lock, left-hand, brown, box	5903373000163	OZE100L0000.03240P
GERDA TYTAN ZE1	surface mounted internal lock, left-hand, graphite, box	5903373000170	OZE100L0000.05240P
GERDA TYTAN ZE1	surface mounted internal lock, right-hand, brown, box	5903373000187	OZE100P0000.03240P
GERDA TYTAN ZE1	surface mounted internal lock, right-hand, graphite, box	5903373000194	OZE100P0000.05240P

Key versions for larger door thicknesses






- GT8 key (L= 73 mm) – for doors with a leaf thickness of 78 mm*
- GT7 key (L= 95,5 mm) – for doors with a leaf thickness of 100 mm*

* available on request order



TYTAN Z2

A modification of the classic TYTAN ZX lock. Surface lock on one side equipped with a lock chassis, on the other side without a thumb-turn. Used in areas of required access control without the possibility of opening the room from the inside (warehouses, rooms for storing property of significant value).

-  **Security class: 3**
-  **Gerda product security class: 10**
-  **Number of keys: 4**
-  **NATO Certificate**
-  **IMP (IPM) Certificate**

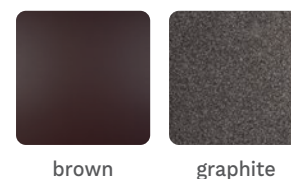
Parameters

Colours

Certificate

3	C	1	0	0	0	3	E	A	0	H
---	---	---	---	---	---	---	---	---	---	---

Lock classification acc. to standard PN-EN 12209:2005
Certificate issued by the Institute of Precision Mechanics



brown

graphite

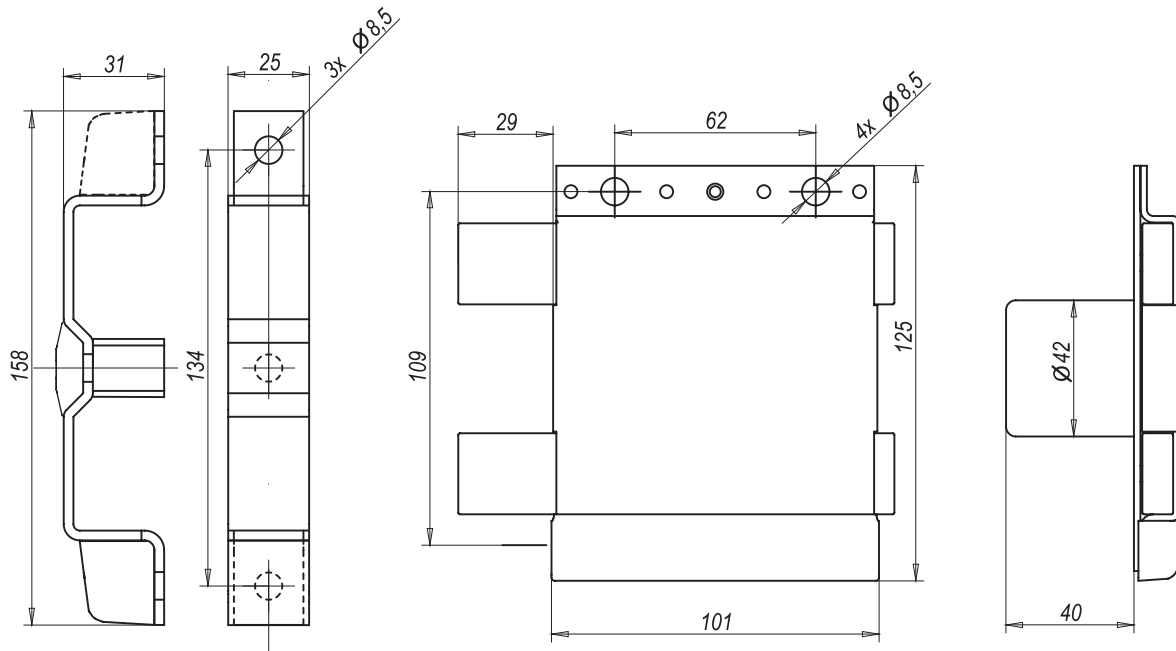
Specification

- protection class – 3 according to PN-EN 12209:2005
- the patented mechanism characteristic of the TYTAN series guarantees a revolutionary number of key code combinations – more than 4 billion
- steel body
- security guaranteed by massive steel bolts
- equipped with an anti-burglary block
- the way of mounting the lock in the standard configuration adapted to rebated doors
- lock in standard version dedicated to doors opening inwards
- in the standard version, the lock is dedicated to doors with a leaf thickness of 53 mm (GT2 key with length L= 48 mm)
- set includes: 4 tubular keys and a regular clamp

Options available

- lock with recombination of cylinder ratchets*
- unifying several TYTAN series locks in Keyed Alike system*
- Master Key system*
- an additional box clamp for installation in non-rebated doors*

* available on request order

Technical data


Model	Parameters	EAN	Index
GERDA TYTAN Z2	surface mounted lock, left-hand, brown, box	5903373003843	OZ20X0L0000.03240P
GERDA TYTAN Z2	surface mounted lock, left-hand, graphite, box	5903373002785	OZ20X0L0000.05240P

Key versions for larger door thicknesses

- GT8 key (L= 73 mm) – for doors with a leaf thickness of 78 mm*
- GT7 key (L= 95,5 mm) – for doors with a leaf thickness of 100 mm*

* available on request order



ZX lock weather-resistant escutcheon



ZX lock flat escutcheon inox



ZX lock concave escutcheon polished chrome



ZX PLUS lock convex escutcheon anodised platinum



ZX PLUS lock convex escutcheon anodised golden



reinforced escutcheon white



reinforced escutcheon structural brown



reinforced escutcheon graphite



ZE lock flat escutcheon black



ZE lock concave escutcheon black

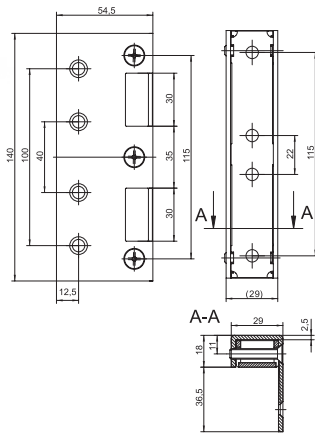
Escutcheon model	Lock model	EAN	Index
weather-resistant	TYTAN ZX, inox, plastic bag	590337300267 9	0BTX0G00000.99000X
reinforced	TYTAN ZX, white, plastic bag	590337300132 0	0BTX0M00000.01000X
reinforced	TYTAN ZX, brown, plastic bag	590337300134 4	0BTX0M00000.03000X
reinforced	TYTAN ZX, graphite, plastic bag	590337300133 7	0BTX0M00000.05000X
reinforced	TYTAN ZX, structural brown, plastic bag	590220330875 2	0BTX0M00000.17000X
convex	TYTAN ZX PLUS, anodised platinum, plastic bag	590337300898 5	0BTXPL00000.46000X
convex	TYTAN ZX PLUS, anodised golden, plastic bag	590220330877 6	0BTXPL00000.43000X
convex	TYTAN ZX PLUS, anodised silver, plastic bag	590220330911 7	0BTXPL00000.41000X
convex	TYTAN ZX PLUS, anodised olive, plastic bag	590220319805 6	0BTXPL00000.42000X
concave	TYTAN ZX, polished chrome, plastic bag	590337300037 8	1204003.00000.99.00
concave	TYTAN ZX, black, plastic bag	590337300039 2	1204003.00000.06.00
flat	TYTAN ZE, black, plastic bag	590337300890 9	1204007.00000.06.00
concave	TYTAN ZE, black, plastic bag	590337300036 1	1204009.00000.06.00
flat	TYTAN ZX, inox, plastic bag	590337300891 6	1204012.00000.00.00



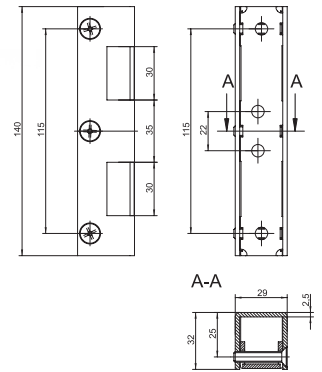
Parameters	EAN	Index
1 – blind fixing set for TYTAN ZX, TYTAN Z2, TYTAN ZK locks, plastic bag	590337300267 9	0BTX0G00000.99000X
2 – open fixing set for TYTAN ZX, TYTAN Z2, TYTAN ZK locks, plastic bag	590337300132 0	0BTX0M00000.01000X
3 – lock and cylinder maintenance product 25 ml, aerosol	590337300134 4	0BTX0M00000.03000X
4 – lock and cylinder maintenance product 100 ml, aerosol	590337300133 7	0BTX0M00000.05000X
5 – lock and cylinder maintenance product 400 ml, aerosol	590220330875 2	0BTX0M00000.17000X



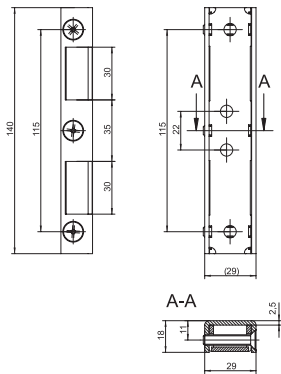
TYTAN ZX reinforced short bracket



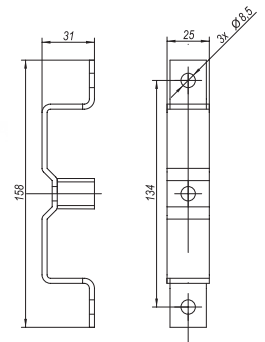
TYTAN ZX reinforced tall bracket



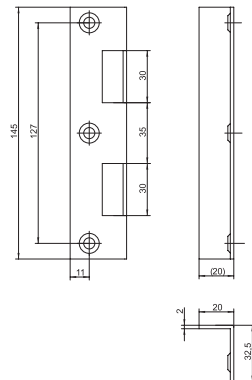
TYTAN ZX short bracket



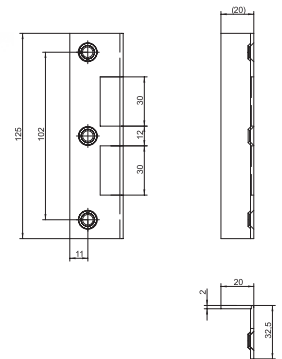
TYTAN ZX regular bracket



TYTAN ZX angle bracket



TYTAN ZX 1000 angle bracket



Bracket model	Lock model	EAN	Indeks
reinforced short bracket	TYTAN ZX, black, plastic bag	590337300026 2	0BBX0M00000.06000X
short bracket	TYTAN ZX, black, plastic bag	590337300028 6	0BBX0N00000.06000X
tall bracket	TYTAN ZX, black, plastic bag	590337300029 3	0BBX0W00000.06000X
regular bracket	TYTAN ZX, black, plastic bag	590337300030 9	1205001.00000.06.00
angle bracket	TYTAN ZX, black, plastic bag	590337300027 9	1205005.00000.06.00
angle bracket	TYTAN ZX 1000, black, plastic bag	590337300893 0	1205022.00000.06.00








ZG 100 lock key

ZG 200 lock key

ZG 100 ZG 200

Stylish surface mounted locks obtained using die-casting technology. They are used for interior and front doors in many aesthetic variations.

-  Security class: 2
-  Gerda product security class: 7 / 8
-  Number of keys: 3 / 4
-  NATO Certificate
-  IMP (IPM) Certificate

Parameters

Certificate

3	C	1	0	0	C	2	E	A	0	B
---	---	---	---	---	---	---	---	---	---	---

Lock classification acc. to standard PN-EN 12209:2005
Certificate issued by the Institute of Precision Mechanics

Specification

- security class – 2 according to PN-EN 12209:2005
- high durability – more than 200 000 cycles
- zamak body
- corrosion resistance
- universal and easy installation
- can be mounted at a distance of 50 mm or 60 mm from the edge of the door leaf
- for doors from 38 mm to 68 mm thick
- universal design for both left and right doors
- installation method suitable for both rebated and non-rebated doors
- the spacers under the clamp allow adjustment to different types of door rebates
- Equipped with durable cylinders: RIM E1 (ZG 100) or RIM H PLUS (ZG 200)
- the set includes a lock, box clamp, spacers, RIM E1 cylinder (3 keys) or RIM H PLUS cylinder (4 keys), fixing screws

Colours

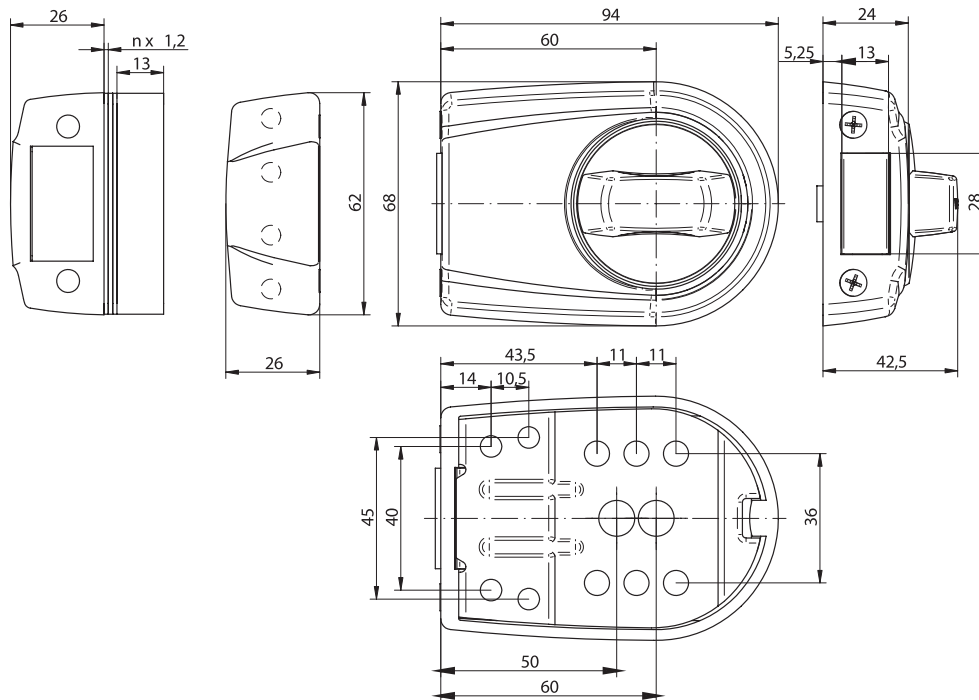


Options available

- unifying several TYTAN series locks in Keyed Alike system according to lock series:
ZG100 lock – with RIM E1 round cylinder or ZG200 lock – with RIM H PLUS round cylinder*
- special version of lock with RIM PRO SYSTEM cylinder (5 keys)*

* available on request order

Technical data



Model	Parameters	EAN	Index
GERDA ZG 100	universal surface mounted lock, white, box	5902203173947	OZG100U0000.01E30P
GERDA ZG 100	universal surface mounted lock, brown, box	5902203174012	OZG100U0000.17E30P
GERDA ZG 100	universal surface mounted lock, graphite, box	5902203174043	OZG100U0000.05E30P
GERDA ZG 100	universal surface mounted lock, satin varnish, box	5902203174036	OZG100U0000.12E30P
GERDA ZG 100	universal surface mounted lock, antique brass, box	5902203174715	OZG100U0000.76E30P
GERDA ZG 100	universal surface mounted lock, pearl nickel, box	5902203173848	OZG100U0000.96E30P
GERDA ZG 100	universal surface mounted lock, polished chrome, box	5902203173909	OZG100U0000.99E30P
GERDA ZG 200	universal surface mounted lock, white, box	5902203174098	OZG200U0000.01M40P
GERDA ZG 200	universal surface mounted lock, brown, box	5902203174104	OZG200U0000.17M40P
GERDA ZG 200	universal surface mounted lock, graphite, box	5902203174142	OZG200U0000.05M40P
GERDA ZG 200	universal surface mounted lock, satin varnish, box	5902203174111	OZG200U0000.12M40P
GERDA ZG 200	universal surface mounted lock, antique brass, box	5902203174241	OZG200U0000.76M40P
GERDA ZG 200	universal surface mounted lock, pearl nickel, box	5902203174159	OZG200U0000.96M40P
GERDA ZG 200	universal surface mounted lock, polished chrome, box	5902203174173	OZG200U0000.99M40P








ZN 100 lock key



ZN 200 lock key

ZN 100 ZN 200 ZN 200Z

Elegant surface locks used for interior and entrance doors.

-  **Security class: 2**
-  **Gerda product security class: 7 / 8**
-  **Number of keys: 3 / 4**
-  **NATO Certificate**
-  **IMP (IPM) Certificate**

Parameters

Certificate

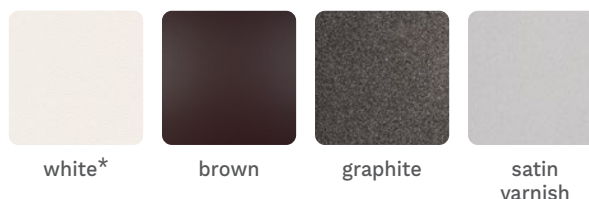
3	C	1	0	0	C	2	E	A	0	B
---	---	---	---	---	---	---	---	---	---	---

Lock classification acc. to standard PN-EN 12209:2005
Certificate issued by Institute of Precision Mechanics

Specification

- security class – 2 according to PN-EN 12209:2005
- high durability – more than 200 000 cycles
- steel body
- corrosion resistance
- universal and easy installation
- can be mounted at a distance of 50 mm or 60 mm from the edge of the door leaf
- for doors from 38 mm to 68 mm thick
- universal design for both left and right doors
- installation method suitable for both rebated and non-rebated doors

Colours



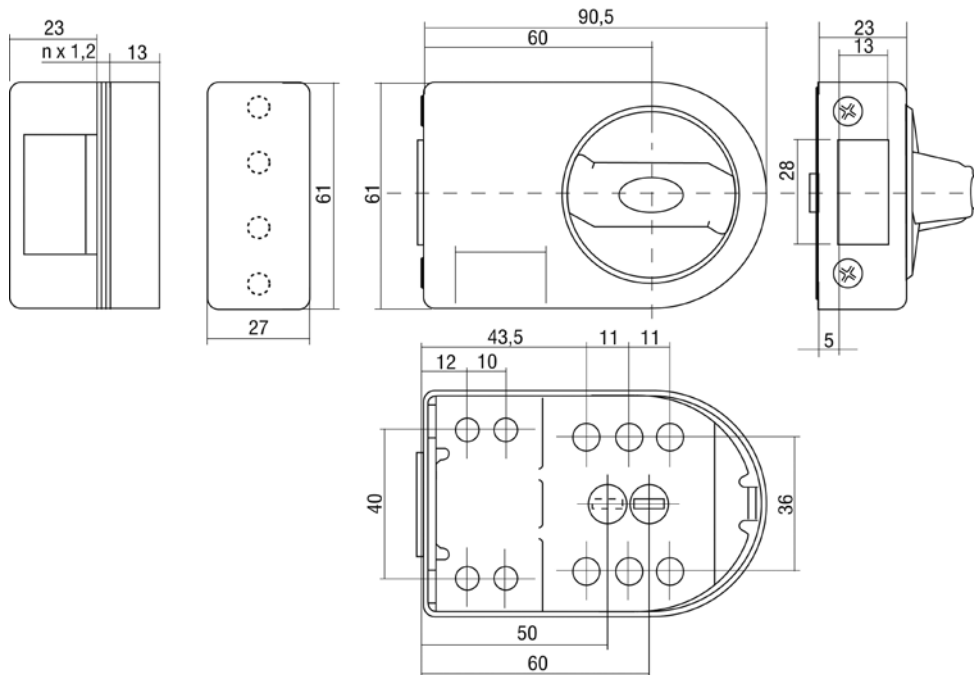
* not available for ZN 200Z

- the spacers under the clamp allow adjustment to different types of door rebates
- Equipped with durable cylinders: RIM E1 (ZN 100) or RIM H PLUS (ZN 200, ZN200Z)
- the ZN 200Z version is equipped with a safety latch
- the set includes a lock, box clamp (including latch for ZN200Z version), spacers, RIM E1 cylinder (3 keys) or RIM H PLUS cylinder (4 keys), fixing screws

Options available

- unifying several TYTAN series locks in Keyed Alike system according to lock series:
ZN100 lock – with RIM E1 round cylinder or ZN200, ZN200Z locks – with RIM H PLUS round cylinder*
- special version of lock with RIM PRO SYSTEM cylinder (5 keys)*

* available on request order

Technical data


Model	Parameters	EAN	Index
GERDA ZN 100	universal surface mounted lock, white, box	5902203174388	0ZN100U0000.01E30P
GERDA ZN 100	universal surface mounted lock, brown, box	5902203174395	0ZN100U0000.17E30P
GERDA ZN 100	universal surface mounted lock, graphite, box	5903373000613	0ZN100U0000.05E30P
GERDA ZN 100	universal surface mounted lock, satin varnish, box	5903373007742	0ZN100U0000.12E30P
GERDA ZN 200	universal surface mounted lock, white, box	5903373011565	0ZN200U0000.01M40P
GERDA ZN 200	universal surface mounted lock, brown, box	5903373011572	0ZN200U0000.17M40P
GERDA ZN 200	universal surface mounted lock, graphite, box	5903373005205	0ZN200U0000.05M40P
GERDA ZN 200	universal surface mounted lock, satin varnish, box	5903373007780	0ZN200U0000.12M40P
GERDA ZN 200Z	universal surface mounted lock, internal, latch, brown, box	5903373011619	0ZN2Z0U0000.17M40P
GERDA ZN 200Z	universal surface mounted lock, internal, latch, graphite, box	5903373007148	0ZN2Z0U0000.05M40P
GERDA ZN 200Z	universal surface mounted lock, internal, latch, satin varnish, box	5903373007803	0ZN2Z0U0000.12M40P



05

DOOR CLOSERS

GD 500	132
GD 900	133
GD 1000	134
GD 1000B	135
GD 1000C	136
GD 1500	137



GD 500

An Economical model for lightweight doors in residential homes and commercial buildings. Adjustable closing and latching speed. Certified for 500 000 cycles
Fire resistance of more than 3 hours.

Classification acc. to standard

EN1154:1996-11+A1:2002-12+AC:2006-06

Certificate issued by ITF ROSENHEIM GmbH

- ⚡ **Durability: 8**
- ✂ **Use category: 4**
- ✓ **Security class: 1**
- ✓ **Corrosion resistance class: 3**

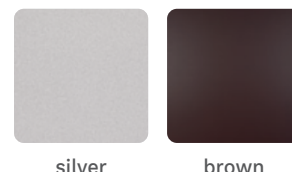
Parameters

Colours

Certificate

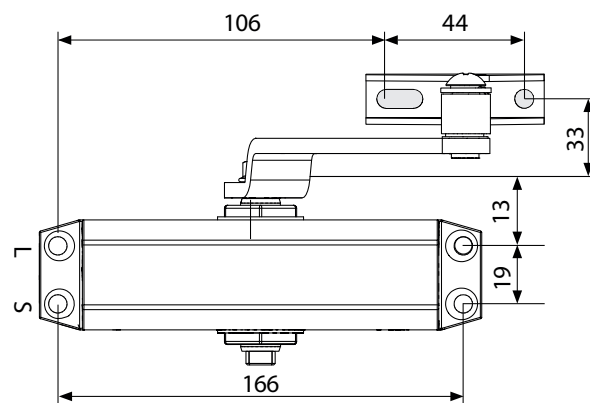
4	8	3	1	1	3
---	---	---	---	---	---

Lock classification acc. to standard PN-EN 1154



Specification

- closing force EN 3
- housing dimensions 182 x 41 x 60,5 mm
- installation dimensions: width 166 mm x height 19 mm
- maximum width of door leaf 950 mm
- maximum weight of door leaf 60 kg
- two bolts allow to adjust the closing speed of the door within the angle range: 15°-180° and set the latching speed in the angle range: 0°-15°
- maximum opening angle 180°
- operating temperature -40°C to 45°C
- compliance with EN 1154



Model	Parameters	EAN	Index
GD 500	door closer, silver	5902203345313	0AGD05S0000.13000P
GD 500	door closer, brown	5902203345375	0AGD05S0000.03000P



GD 900

Model for use in lightweight doors in residential homes and commercial buildings. Precision aluminum body and steel arm. Adjustable closing and latching speed. Certified for 500 000 cycles
Fire resistance of more than 3 hours.

Classification acc. to standard

EN1154:1996-11+A1:2002-12+AC:2006-06

Certificate issued by ITF ROSENHEIM GmbH

- ⚡ **Durability: 8**
- ✂ **Use category: 4**
- ✓ **Security class: 1**
- ✓ **Corrosion resistance class: 3**

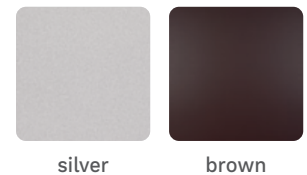
Parameters

Colours

Certificate

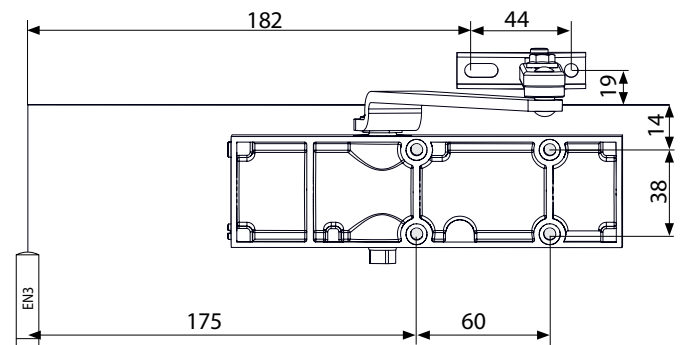
4	8	3	1	1	3
---	---	---	---	---	---

Lock classification acc. to standard PN-EN 1154



Specification

- closing force EN 3
- housing dimensions 176 x 50 x 38 mm
- installation dimensions: width 60 mm x height 38 mm
- maximum width of the door leaf: 950 mm
- maximum weight of the door leaf: 60 kg
- two bolts allow to adjust the closing speed of the door within the angle range: 15°-180° and set the latching force in the angle range: 0°-15°
- maximum opening angle 180°
- operating temperature -40°C to 45°C
- compliance with EN 1154



Model	Parameters	EAN	Index
GD 900	door closer, silver	5902203345320	0AGD09S0000.13000P
GD 900	door closer, brown	5902203345382	0AGD09S0000.03000P



GD 1000

A model for use in residential homes and commercial buildings. Precision aluminum body and steel arm. Adjustable closing and latching speed. Certified for 500 000 cycles. Fire resistance of over 3 hours.

Classification acc. to standard

EN1154:1996-11+A1:2002-12+AC:2006-06

Certificate issued by ITF ROSENHEIM GmbH

- ⚡ **Durability: 8**
- ✂ **Use category: 4**
- 🔒 **Security class: 1**
- 🛡 **Corrosion resistance class: 3**

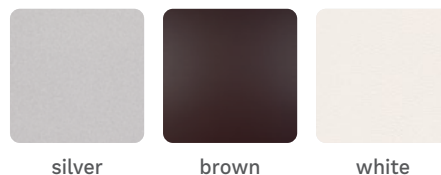
Parameters

Colours

Certificate

4	8	3	1	1	3
---	---	---	---	---	---

Lock classification acc. to standard PN-EN 1154



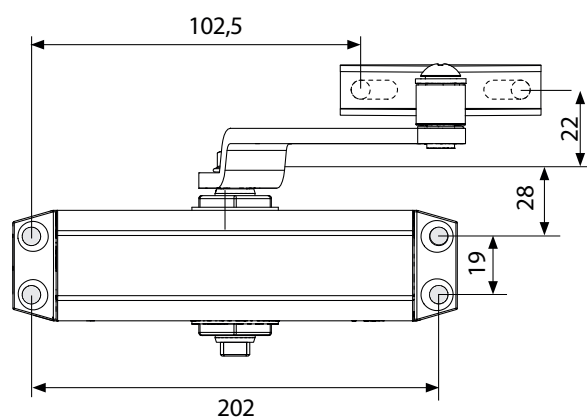
silver

brown

white

Specification

- closing force: EN 2/3/4
- housing dimensions: 220 x 48 x 45 mm
- installation dimensions: width 202 mm x height 19 mm
- maximum width of the door leaf: 1100 mm
- maximum weight of the door leaf 80 kg
- two bolts allow to adjust the closing speed of the door within the angle range: 15°-180° and set the latching force in the angle range: 0°-15°
- maximum opening angle 180°
- working temperature -40°C to 45°C
- compliance with EN 1154



Model	Parameters	EAN	Index
GD 1000	door closer, silver	5902203345337	0AGD10S0000.13000P
GD 1000	door closer, brown	5902203345399	0AGD10S0000.03000P
GD 1000	door closer, white	5902203364871	0AGD10S0000.01000P



GD 1000B

The model with a locking arm is designed for use in residential homes and commercial buildings. Precision aluminum body and steel arm. Adjustable closing and latching speed. Certified for 500 000 cycles. Due to the use of a blocking arm in this door closer model, it cannot be used for fire doors.

Classification acc. to standard

EN1154:1996-11+A1:2002-12+AC:2006-06

Certificate issued by ITF ROSENHEIM GmbH

- 🛡️ **Durability: 8**
- 🔧 **Use category: 4**
- 🔒 **Security class: 1**
- 🌿 **Corrosion resistance class: 3**

Parameters

Colour

Certificate

4	8	3	1	1	3
---	---	---	---	---	---

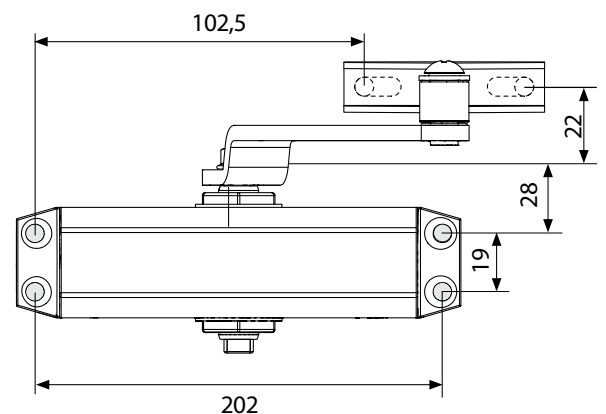
Lock classification acc. to standard PN-EN 1154



silver

Specification

- closing force EN 2/3/4
- housing dimensions 220 x 48 x 45 mm
- installation dimensions: width 202 mm x height 19 mm
- maximum width of door leaf 1100 mm
- maximum weight of door leaf 80 kg
- two bolts allow to adjust the closing speed of the door within the angle range: 15°-180° and set the latching speed in the angle range: 0°-15°
- maximum opening angle 180°
- Operating temperature -40°C to 45°C
- compliance with EN 1154



Model	Opis	EAN	Indeks
GD 1000B	door closer, hold-open, silver	5902203345344	OAGD10B0000.13000P



GD 1000C

A model for use in residential homes and commercial buildings. Precision aluminum body with plastic cover and steel arm. Adjustable closing and latching speed. Certified for 500 000 cycles. Fire resistance 3 hours.

Classification acc. to standard

EN1154:1996-11+A1:2002-12+AC:2006-06

Certificate issued by ITF ROSENHEIM GmbH

- ⚡ **Durability: 8**
- ✂ **Use category: 4**
- 🛡 **Security class: 1**
- 🛡 **Corrosion resistance class: 3**

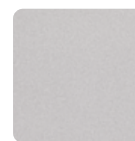
Parameters

Colour

Certificate

4	8	3	1	1	3
---	---	---	---	---	---

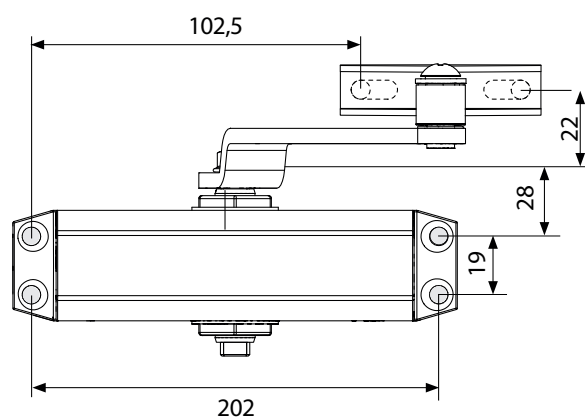
Lock classification acc. to standard PN-EN 1154



silver

Specification

- closing force: EN 2/3/4
- housing dimensions: 220 x 48 x 45 mm
- installation dimensions: width 202 mm x height 19 mm
- maximum width of the door leaf: 1100 mm
- maximum weight of door leaf 80 kg
- two bolts allow to adjust the closing speed of the door within the angle range: 15°-180°, and set the latching force in the angle range: 0°-15°
- maximum opening angle 180°
- compliance with EN 1154



Model	Parameters	EAN	Index
GD 1000C	door closer, hold-open, silver	5902203345351	OAGD100C000.13000P



GD 1500

A model for use in residential homes and commercial buildings. Precision aluminum body and steel arm. Adjustable closing speed and final pressure. Certified for 500 000 cycles. Fire resistance of over 3 hours.

Classification acc. to standard
EN1154:1996-11+A1:2002-12+AC:2006-06

Certificate issued by ITF ROSENHEIM GmbH

- 🛡️ **Durability: 8**
- 🔧 **Use category: 4**
- 🔒 **Security class: 1**
- 🛡️ **Corrosion resistance class: 3**

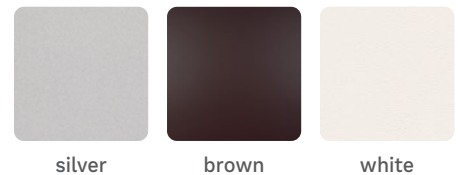
Parameters

Colours

Certificate

4	8	4	1	1	3
---	---	---	---	---	---

Lock classification acc. to standard PN-EN 1154



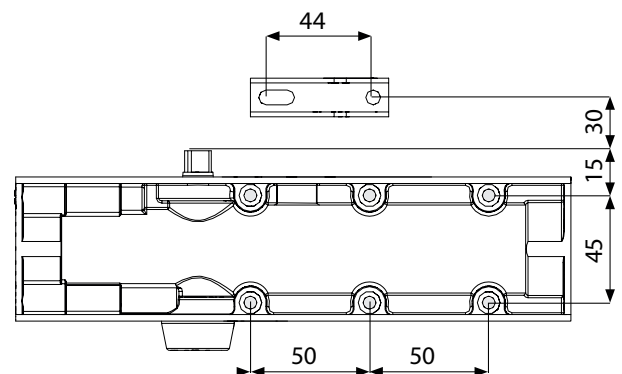
silver

brown

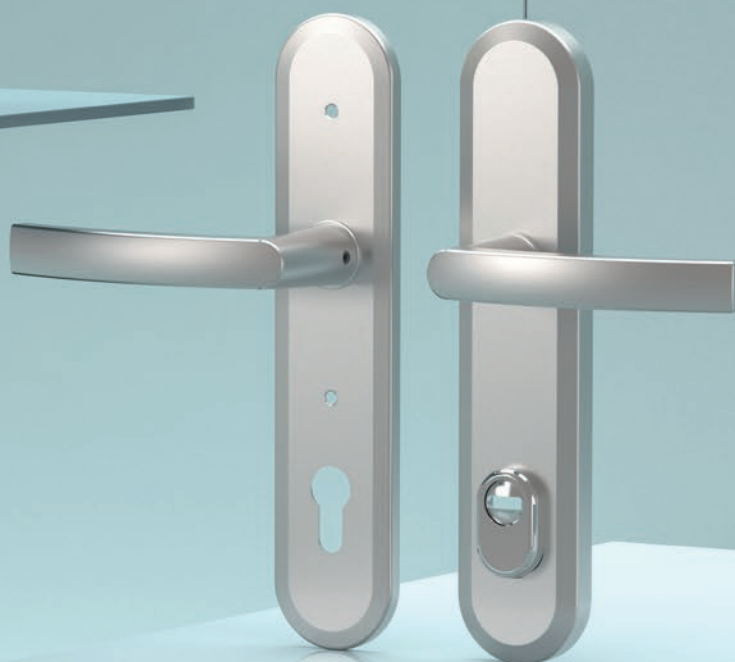
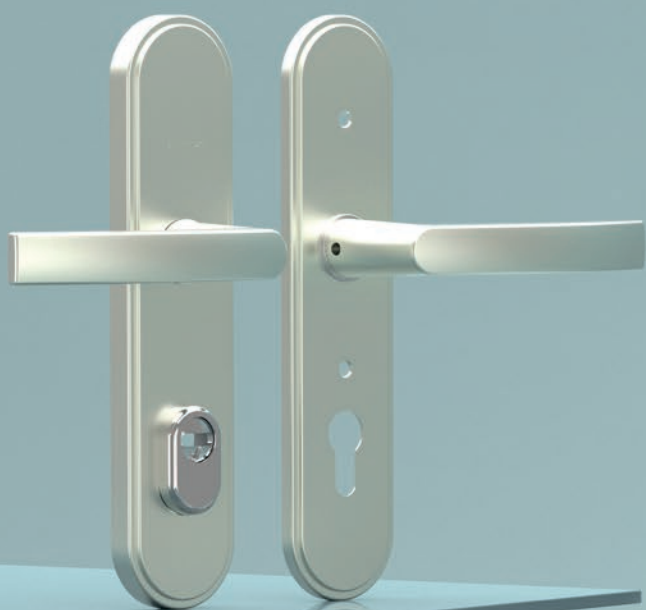
white

Specification

- closing force EN 2-4
- housing dimensions 233 x 60.5 x 42 mm
- installation dimensions:
width 100 (50x50) mm x height 45 mm
- maximum width of door leaf 1100mm
- maximum weight of door leaf 80 kg
- adjustable closing speed in the range of 180°-15°
- maximum opening angle 180°
- Adjustment of the latching speed in the range of 0°-15°
- operating temperature -40°C to 45°C
- compliance with EN 1154



Model	Parameters	EAN	Indeks
GD 1500	door closer, silver	5902203345368	0AGD15S0000.13000P
GD 1500	door closer, brown	5902203345405	0AGD15S0000.03000P
GD 1500	door closer, white	5902203362518	0AGD15S0000.01000P



06

ESCUTCHEONS

TD 1000/90 BLOK handle-handle	140
TD 1000/90 BLOK knob-handle	142
TD 1000/72 ORIENT handle-handle	144
TD 1000/72 ORIENT knob-handle	146
TD 1000/72 BLOK handle-handle	148
TD 1000/72 BLOK knob-handle	150
TD 200/90 BLOK handle-handle	152
TD 200/90 BLOK knob-handle	154
BLOCK additional escutcheons	156
ORIENT additional escutcheons	157

BLOK handle-handle

TD 1000/90

Gerda TD 1000 certified door backplates have high resistance to burglary due to the use of hardened inner protective plates and anti-drilling plates.

- 🔑 Security class: 4
- 🛡️ Gerda product security class: 12
- 📄 IMP (IPM) Certificate
- 🛡️ Protection against drilling



Parameters

Certyficate

2	6	-	0	1	0	4	U
---	---	---	---	---	---	---	---

Escutcheon classification acc. to standard PN-EN 1906:2012
Certificate issued by the Institute of Precision Mechanics

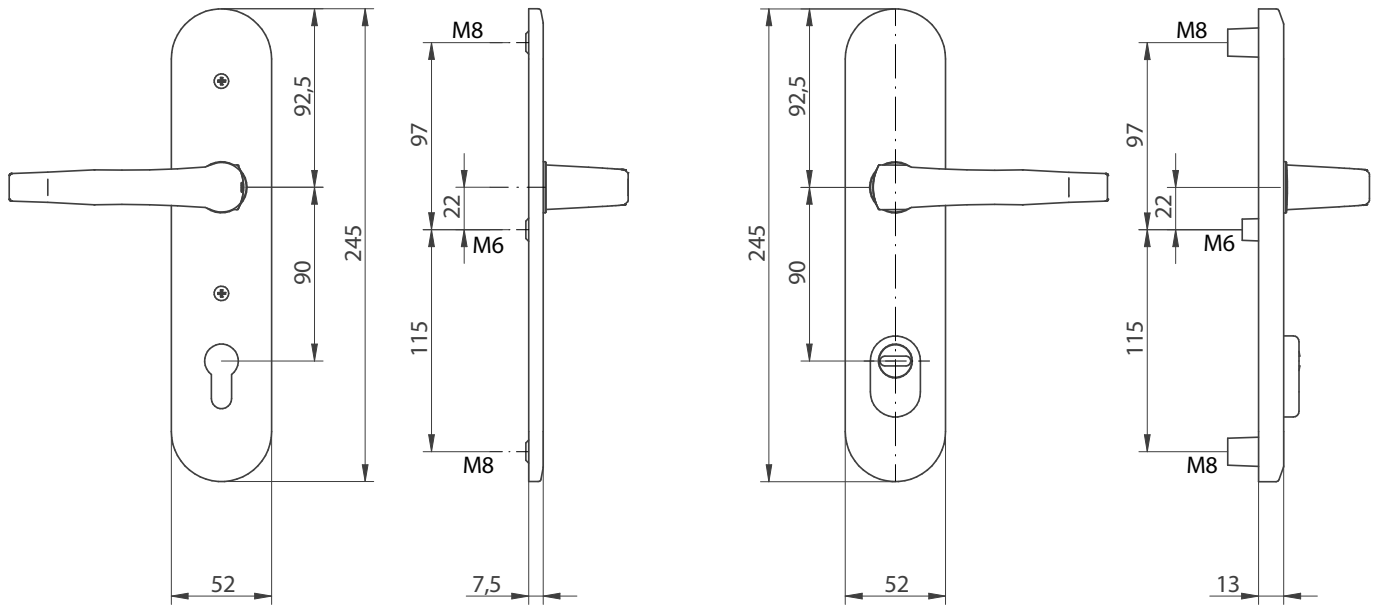
Specification

- hardened inner protective plates
- fixing with sturdy screws (peripheral 2 x M8, inside M6)
- protection of the cylinder against burglary
- plate protecting the cylinder from drilling
- compatible with door thickness from 38 mm to 80 mm

Colours



Technical data







Model	Parameters	EAN	Index
GERDA TD 1000/90 A-BLOK	escutcheon, handle-handle, door thickness 38-80 mm, anodised olive, blister	5902203195895	0ATD1K0DA90.42A00B
GERDA TD 1000/90 A-BLOK	escutcheon, handle-handle, door thickness 38-80 mm, anodised platinum, blister	5901407504939	0ATD1K0DA90.46A00B
GERDA TD 1000/90 A-BLOK	escutcheon, handle-handle, door thickness 38-80 mm, anodised silver, blister		0ATD1K0DA90.41A00B
GERDA TD 1000/90 A-BLOK	escutcheon, handle-handle, door thickness 38-80 mm, anodised platinum, handle colour – satin nickel, blister	5901407504571	0ATD1K0DA90.46A10B

BLOK knob-handle

TD 1000/90

Gerda TD 1000 certified door backplates have high resistance to burglary due to the use of hardened inner protective plates and anti-drilling plates.

-  Security class: 4
-  Gerda product security class: 12
-  IMP (IPM) Certificate
-  Protection against drilling



Parameters

Certificate

2	6	-	0	1	0	4	U
---	---	---	---	---	---	---	---

Escutcheon classification acc. to standard PN-EN 1906:2012
Certificate issued by the Institute of Precision Mechanics

Specification

- hardened inner protective plates
- fixing with sturdy screws (peripheral 2 x M8, inside M6)
- protection of the cylinder against burglary
- plate protecting the cylinder from drilling
- compatible with door thickness from 38 mm to 80 mm

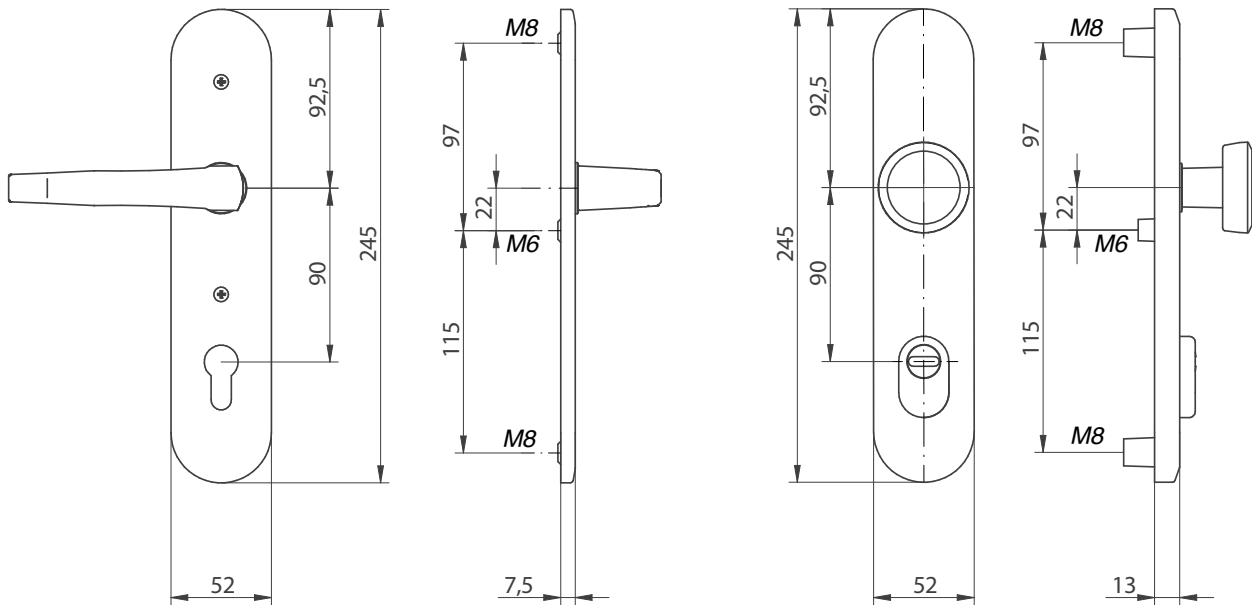
Colours



anodised platinum

anodised silver

anodised olive





Technical data


Model	Opis	EAN	Indeks
GERDA TD 1000/90 A-BLOK	escutcheon, knob-handle, door thickness 38-80 mm, anodised silver, blister		0ATD1G0DA90.41A00B
GERDA TD 1000/90 A-BLOK	escutcheon, knob-handle, door thickness 38-80 mm, anodised olive, blister		0ATD1G0DA90.42A00B
GERDA TD 1000/90 A-BLOK	escutcheon, knob-handle, door thickness 38-80 mm, anodised platinum, blister	5901407504915	0ATD1G0DA90.46A00B
GERDA TD 1000/90 A-BLOK	escutcheon, knob-handle, door thickness 38-80 mm, anodised platinum, knob colour – satin nickel, blister	5901407504595	0ATD1G0DA90.46A10B

ORIENT handle-handle

TD 1000/72

Gerda TD 1000 certified door backplates have high resistance to burglary due to the use of hardened inner protective plates and anti-drilling plates

-  Security class: 3
-  Gerda product security class: 10
-  IMP (IPM) Certificate
-  Protection against drilling



Parameters

Certificate

2	6	-	0	1	0	3	U
---	---	---	---	---	---	---	---

Escutcheon classification acc. to standard PN-EN 1906:2012
Certificate issued by Institute of Precision Mechanics

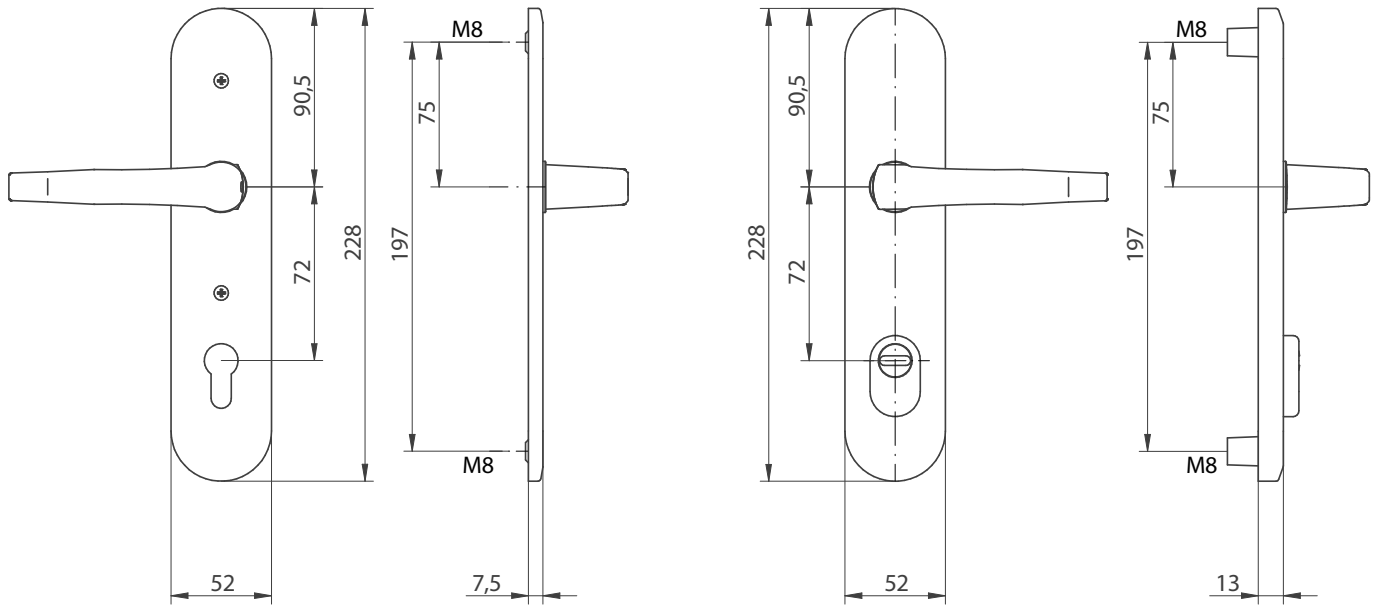
Specification

- hardened inner protective plates
- fixing with sturdy screws (peripheral 2 x M8)
- protection of the cylinder against burglary
- plate protecting the cylinder from drilling
- compatible with door thickness from 38 mm to 80 mm

Colours



Technical data







Model	Parameters	EAN	Index
GERDA TD 1000/90 A-BLOK	escutcheon, handle-handle, door thickness 38-80 mm, anodised silver, blister	5902203177556	0ATD1G0DA90.41A00B
GERDA TD 1000/90 A-BLOK	escutcheon, handle-handle, door thickness 38-80 mm, anodised olive, blister	5902203177563	0ATD1G0DA90.42A00B
GERDA TD 1000/90 A-BLOK	escutcheon, handle-handle, door thickness 38-80 mm, anodised platinum, blister	5901407504915	0ATD1G0DA90.46A00B
GERDA TD 1000/90 A-BLOK	escutcheon, knob-handle, door thickness 38-80 mm, anodised silver, knob colour – satin nickel, blister	5901407504595	0ATD1G0DA90.46A10B



ORIENT knob-handle

TD 1000/72

Gerda TD 1000 certified door backplates have high resistance to burglary due to the use of hardened inner protective plates and anti-drilling plates

-  Security class: 3
-  Gerda product security class: 10
-  IMP (IPM) Certificate
-  Protection against drilling

Parameters

Certificate

2	6	-	0	1	0	3	U
---	---	---	---	---	---	---	---

Escutcheon classification acc. to standard PN-EN 1906:2012
Certificate issued by Institute of Precision Mechanics

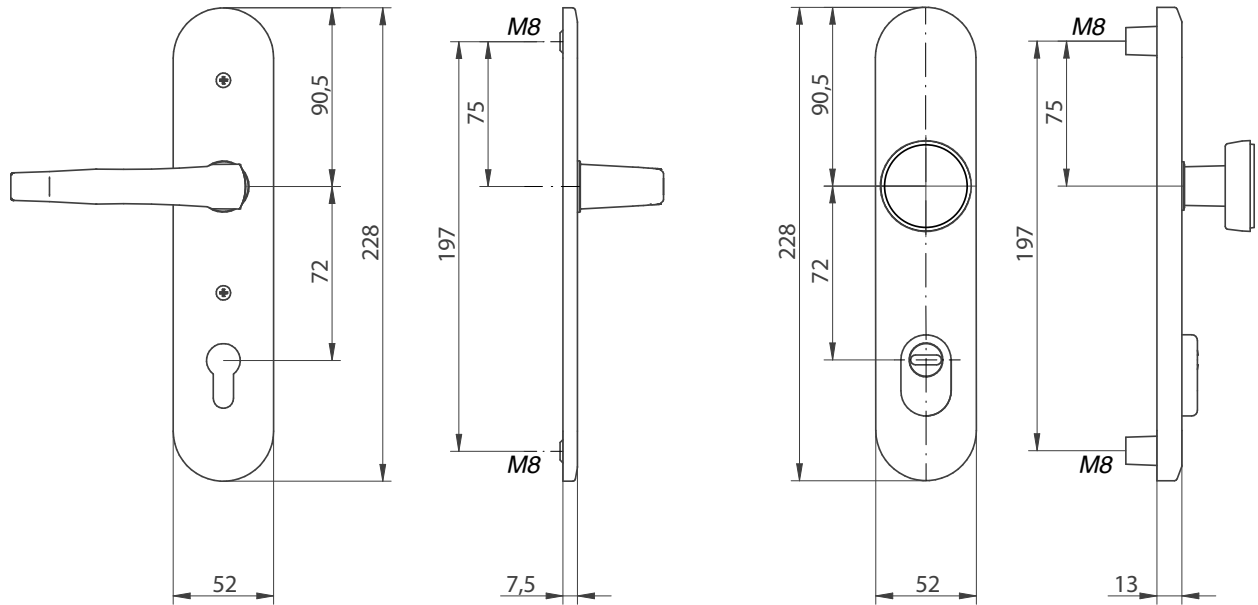
Specification

- hardened inner protective plates
- fixing with sturdy screws (peripheral 2 x M8)
- protection of the cylinder against burglary
- plate protecting the cylinder from drilling
- compatible with door thickness from 38 mm to 80 mm

Colours



Technical data



Model	Parameters	EAN	Index
GERDA TD 1000/72 B-ORIENT	escutcheon, knob-handle, door thickness 38-80 mm, anodised silver, blister	5902203177518	0ATD1G0DB72.41A00B
GERDA TD 1000/72 B-ORIENT	escutcheon, knob-handle, door thickness 38-80 mm, anodised olive, blister	5902203177525	0ATD1G0DB72.42A00B
GERDA TD 1000/72 B-ORIENT	escutcheon, knob-handle, door thickness 38-80 mm, anodised golden, blister	5902203177532	0ATD1G0DB72.43A00B
GERDA TD 1000/72 B-ORIENT	escutcheon, knob-handle, door thickness 38-80 mm, anodised platinum, blister	5902203177549	0ATD1G0DB72.46A00B

BLOK handle-handle

TD 1000/72

Gerda TD 1000 certified door backplates have high resistance to burglary due to the use of hardened inner protective plates and anti-drilling plates

- 🔑 Security class: 3
- 🛡️ Gerda product security class: 10
- 📄 IMP (IPM) Certificate
- 🛡️ Protection against drilling



Parameters

Certyficate

2	6	-	0	1	0	3	U
---	---	---	---	---	---	---	---

Escutcheon classification acc. to standard PN-EN 1906:2012
Certificate issued by Institute of Precision Mechanics

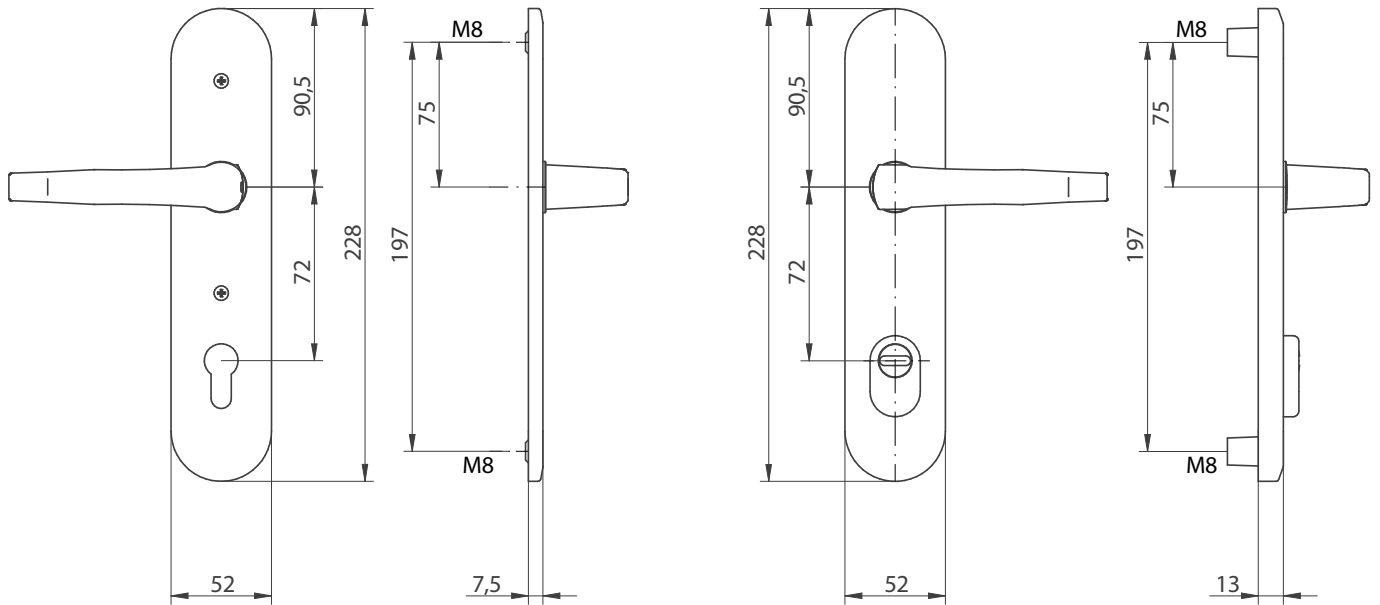
Specification

- hardened inner protective plates
- fixing with sturdy screws (peripheral 2 x M8)
- protection of the cylinder against burglary
- plate protecting the cylinder from drilling
- compatible with door thickness from 38 mm to 80 mm

Colours



Technical data







Model	Parameters	EAN	Index
GERDA TD 1000/72 A-BLOK	escutcheon, handle-handle, door thickness 38-80 mm, anodised silver, blister	5902203177471	0ATD1K0DA72.41A00B
GERDA TD 1000/72 A-BLOK	escutcheon, handle-handle, door thickness 38-80 mm, anodised olive, blister	5902203177488	0ATD1K0DA72.42A00B
GERDA TD 1000/72 A-BLOK	escutcheon, handle-handle, door thickness 38-80 mm, anodised platinum, blister	5902203177501	0ATD1K0DA72.46A00B

BLOK knob-handle

TD 1000/72

Gerda TD 1000 certified door backplates have high resistance to burglary due to the use of hardened inner protective plates and anti-drilling plates

-  Security class: 3
-  Gerda product security class: 10
-  IMP (IPM) Certificate
-  Protection against drilling



Parameters

Certyficate

2	6	-	0	1	0	3	U
---	---	---	---	---	---	---	---

Escutcheon classification acc. to standard PN-EN 1906:2012
Certificate issued by Institute of Precision Mechanics

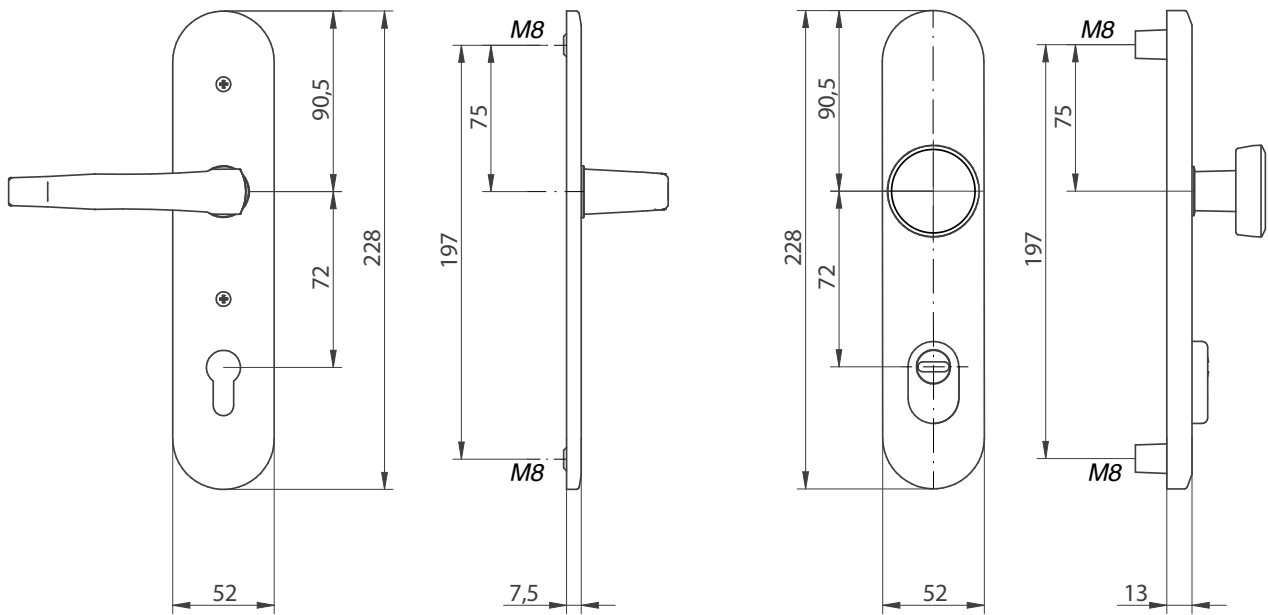
Specification

- hardened inner protective plates
- fixing with sturdy screws (peripheral 2 x M8)
- protection of the cylinder against burglary
- plate protecting the cylinder from drilling
- compatible with door thickness from 38 mm to 80 mm

Colours



Technical data







Model	Parameters	EAN	Index
GERDA TD 1000/72 A-BLOK	escutcheon, knob-handle, door thickness 38-80 mm, anodised silver, blister	5902203177433	OATD1K0DA72.41A00B
GERDA TD 1000/72 A-BLOK	escutcheon, knob-handle, door thickness 38-80 mm, anodised olive, blister	5902203177440	OATD1K0DA72.42A00B
GERDA TD 1000/72 A-BLOK	escutcheon, knob-handle, door thickness 38-80 mm, anodised platinum, blister	5902203177464	OATD1K0DA72.46A00B

BLOK handle-handle

TD 200/90

Gerda TD 200 certified door backplates have high resistance to burglary due to the use of hardened inner protective plates and anti-drilling plates.

-  Security class: 2
-  Gerda product security class: 8
-  IMP (IPM) Certificate
-  Protection against drilling



Parameters

Colours

Certyficate

2	6	0	0	0	B	2	U
---	---	---	---	---	---	---	---

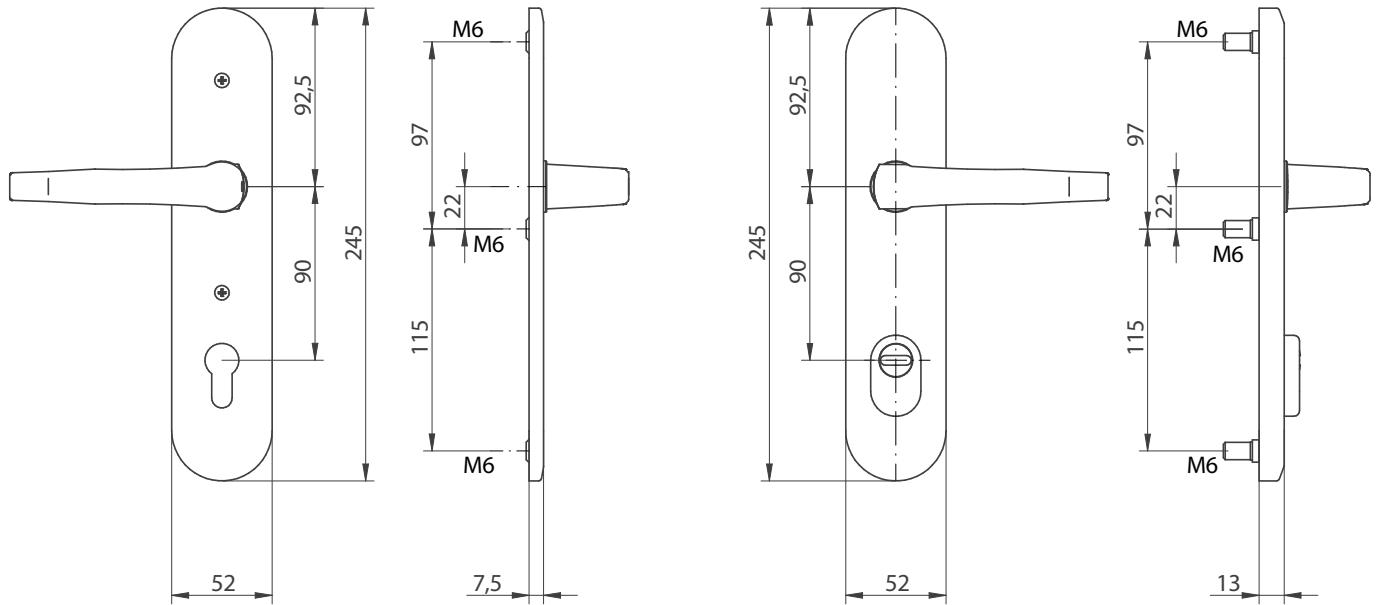
Escutcheon classification acc. to standard PN-EN 1906:2012
Certificate issued by Institute of Precision Mechanics



Specification

- hardened inner protective plates
- fixing with sturdy screws (3 x M6)
- protection of the cylinder against burglary
- plate protecting the cylinder from drilling
- compatible with door thickness from 38 mm to 80 mm

Technical data







Model	Parameters	EAN	Index
GERDA TD 200/90 A-BLOK	escutcheon, handle-handle, door thickness 38-80 mm, anodised platinum, knob colour - satin nickel, blister	5901407504618	0ATD2K0DA90.46A10B
GERDA TD 200/90 A-BLOK	escutcheon, handle-handle, door thickness 38-80 mm, anodised platinum, blister	5901407504977	0ATD2K0DA90.46A00B
GERDA TD 200/90 A-BLOK	escutcheon, handle-handle, door thickness 38-80 mm, anodised silver, blister	5901407514488	0ATD2K0DA90.41A00B
GERDA TD 200/90 A-BLOK	escutcheon, handle-handle, door thickness 38-80 mm, anodised olive, blister	5902203309049	0ATD2K0DA90.42A00B

BLOK knob-handle

TD 200/90

Gerda TD 200 certified door backplates have high resistance to burglary due to the use of hardened inner protective plates and anti-drilling plates.

-  Security class: 2
-  Gerda product security class: 8
-  IMP (IPM) Certificate
-  Protection against drilling



Parameters

Certyficate

2	6	0	0	0	B	2	U
---	---	---	---	---	---	---	---

Escutcheon classification acc. to standard PN-EN 1906:2012
Certificate issued by Institute of Precision Mechanics

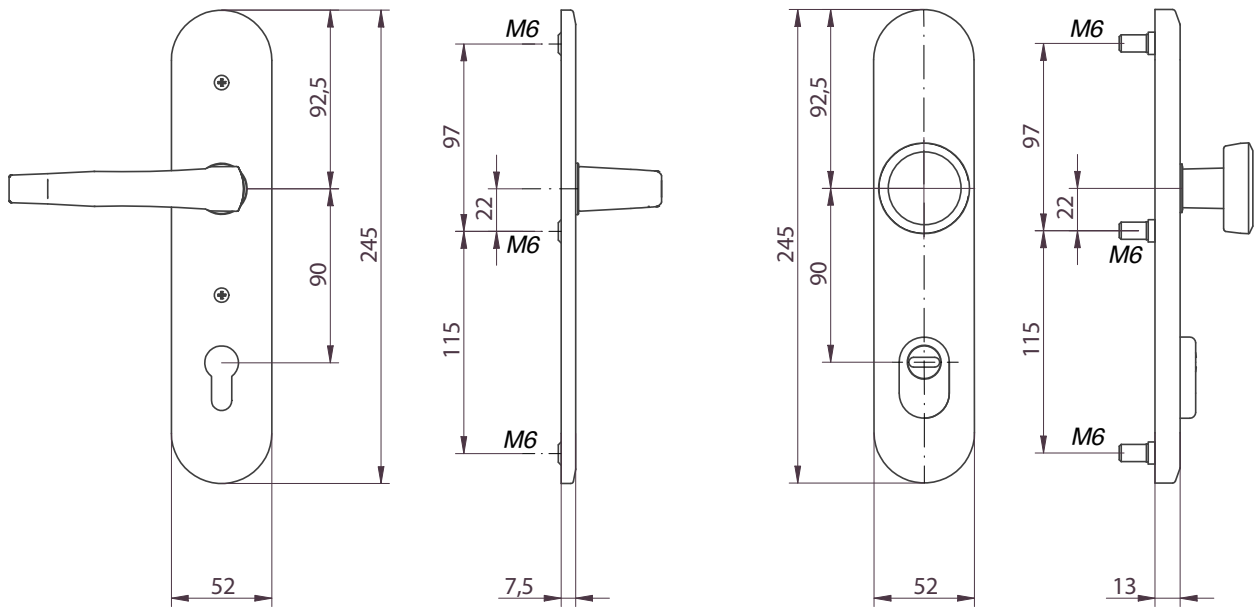
Specification

- hardened inner protective plates
- fixing with sturdy screws (3 x M6)
- protection of the cylinder against burglary
- plate protecting the cylinder from drilling
- compatible with door thickness from 38 mm to 80 mm

Colours



Technical data



Model	Parameters	EAN	Index
GERDA TD 200/90 A-BLOK	escutcheon, knob-handle, door thickness 38-80 mm, anodised platinum, knob colour - satin nickel, blister	5901407504601	OATD2G0DA90.46A10B
GERDA TD 200/90 A-BLOK	escutcheon, knob-handle, door thickness 38-80 mm, anodised platinum, blister	5901407504953	OATD2G0DA90.46A00B
GERDA TD 200/90 A-BLOK	escutcheon, knob-handle, door thickness 38-80 mm, anodised silver, blister	5902203308967	OATD2G0DA90.41A00B
GERDA TD 200/90 A-BLOK	escutcheon, knob-handle, door thickness 38-80 mm, anodised olive, blister	5902203308974	OATD2G0DA90.42A00B

BLOK Additional lock escutcheons



anodised platinum



anodised silver



anodised golden



anodised olive

Parameters	EAN	Index
A-BLOK additional lock escutcheon, anodised silver, plastic bag	5903373018465	0ATTW000A00.41A00R
A-BLOK additional lock escutcheon, anodised olive, plastic bag	5903373018472	0ATTW000A00.42A00R
A-BLOK additional lock escutcheon, anodised golden, plastic bag	5903373018489	0ATTW000A00.43A00R
A-BLOK additional lock escutcheon, anodised platinum, plastic bag	5903373018496	0ATTW000A00.46A00R

ORIENT Additional lock escutcheons



anodised platinum



anodised silver



anodised golden



anodised olive



satin nickel

Parameters	EAN	Index
B-ORIENT additional lock escutcheon, anodised olive, plastic bag	5902203353837	0ATTW000B00.42A00R
B-ORIENT additional lock escutcheon, anodised platinum, plastic bag	5902203353844	0ATTW000B00.46A00R
B-ORIENT additional lock escutcheon, anodised silver, plastic bag	5903373018397	0ATTW000B00.41A00R
B-ORIENT additional lock escutcheon, anodised golden, plastic bag	5903373018410	0ATTW000B00.43A00R
B-ORIENT additional lock escutcheon, satin nickel, plastic bag	5903373018441	0ATTW000B00.90M00R



07

ELECTRIC STRIKES

REGULAR ELECTRIC STRIKE 12V DC	160
REGULAR ELECTRIC STRIKE 12V AC	161
REVERSIVE ELECTRIC STRIKE 12V DC	162
ELECTRIC STRIKE WITH MEMORY 12V AC	163
ELECTRIC STRIKE WITH MEMORY 12V DC	164
ELECTRIC STRIKE WITH DEACTIVATOR 12V AC	165
ELECTRIC STRIKE WITH DEACTIVATOR 12V DC	166
ELECTRIC STRIKE WITH MEMORY AND DEACTIVATOR 12V AC	167
ELECTRIC STRIKE WITH MEMORY AND DEACTIVATOR 12V DC	168
UNIVERSAL ELECTRIC STRIKE WITH DEACTIVATOR 12V AC/DC	169
MOUNTING PLATES	170



REGULAR ELECTRIC STRIKE 12V DC

The standard version of the electric door strike for direct current. Designed for remote/wired opening of doors, cabinets or wicket gates.

Parameters

Colours

Specification

- classified according to PN-EN: 14846:2010
- equipped with a standard version of the direct current strike
- intended for direct current (DC)
- power supply voltage: 12V DC (-/+2 V)
- power consumption: 450 mA
- operating temperature: -25°C to +55°C
- weight: 210 g



galvanised
silver

Parameters	EAN	Index
regular electric strike, powered by 12V DC, energy consumption 450 mA, galvanised silver, box	5902203174548	0AERPA00000.92000P

REGULAR ELECTRIC STRIKE 12V AC

The standard version of an AC electric door strike. Designed for remote/wired opening of doors, cabinets or wicket gates. It emits a characteristic “buzz” when it is energized (50 Hz).



Parameters

Colours

Specification

- classification according to PN-EN: 14846:2010
- equipped with a standard version of the AC strike
- designed for alternating current (AC)
- allows opening of doors under tension of up to 15 kg of pressure
- power supply voltage: 12V AC (-/+2 V)
- power consumption: 400mA
- operating temperature: -25°C to +55°C
- weight: 210 g



galvanised
silver

Parameters	EAN	Index
regular electric strike, powered by 12V AC, energy consumption 400 mA, galvanised silver, box	5902203174463	0AERZA00000.92000P



REVERSIVE ELECTRIC STRIKE 12V DC

The principle of operation is opposite to that of a standard electric strike – the bolt is locked under electricity. Used with access control devices and where all doors are required to be opened when the power is cut off. The electric strike is designed for continuous operation under voltage.

Parameters

Colours

Specification

- classification according to PN-EN: 14846:2010
- power supply voltage: 12V DC {-/+2 V)
- power consumption: 200 mA
- operating temperature: -25°C to +55°C
- weight: 210 g



galvanised
silver

Parameters	EAN	Index
reversive electric strike, powered by 12V DC, energy consumption 200 mA, galvanised silver, box	5902203174562	0AERRB00000.92000P



ELECTRIC STRIKE WITH MEMORY 12V AC

It has so-called mechanical memory, which causes the strike to open with one short pulse. The strike remains in the same position until the door is opened and closed again.

Parameters

Colours

Specification

- classification according to PN-EN: 14846:2010
- designed for alternating current (AC)
- allows opening of doors under tension of up to 15 kg of pressure
- power supply voltage: 12V AC $\{-/+2\text{ V}\}$
- power consumption: 650 mA
- operating temperature: -25°C to $+55^{\circ}\text{C}$
- weight: 210 g



galvanised
silver

Parameters	EAN	Index
electric strike with memory, powered by 12V AC, energy consumption 650 mA, galvanised silver, box	5902203174487	0AERMA00000.92000P



ELECTRIC STRIKE WITH MEMORY 12V DC

It has so-called mechanical memory, which causes the strike to open with one short pulse. The strike remains in the same position until the door is opened and closed again. Unlike the AC electric door strike, this strike does not have protruding “sensors” and does not require the door to be precisely flush with the frame.

Parameters

Colours

Specification

- classification according to PN-EN: 14846:2010
- the strike is adjustable in the range 0-4mm*
- power supply voltage: 12V DC (-/+2 V)
- power consumption: 450mA
- power consumption: 260 mA*
- operating temperature: -25°C to +55°C
- weight: 210 g / weight: 170 g*



galvanised silver

* concerns low-voltage strike

Parameters	EAN	Index
electric strike with memory, powered by 12V DC, energy consumption 450 mA, galvanised silver, box	5906726670525	0AERMB00000.92000P

ELECTRIC STRIKE WITH SWITCH 12V AC



It has an additional mechanical switch for blocking the strike mechanism. It is often used in places where it is required to be able to open the door/wicket gate, for example, during working hours. A mechanical switch allows the electric door strike to go into sleep mode (day/night function).

Parameters

Colours

Specification

- classification according to PN-EN: 14846:2010
- designed for alternating current (AC)
- allows opening of doors under tension up to 15 kg of pressure
- power supply voltage: 12V AC (-/+2 V)
- power consumption: 650 mA
- operating temperature: -25°C to +55°C
- weight: 210 g



galvanised
silver

Parameters	EAN	Index
electric strike with deactivator, powered by 12V AC, energy consumption 650 mA, galvanised silver, box	5902203174500	0AERVA00000.92000P

ELECTRIC STRIKE WITH SWITCH 12V DC



It has an additional mechanical switch for blocking the strike mechanism. It is often used in places where it is required to be able to open the door/wicket gate, for example, during working hours. A mechanical switch allows the electric door strike to go to into sleep mode (day/night function).

Parameters

Colours

Specification

- classification according to PN-EN: 14846:2010
- designed for direct current (DC)
- power supply voltage: 12V DC (-/+2 V)
- power consumption: 45 0mA
- operating temperature: -25° C to +55° C
- weight: 210 g



galvanised
silver

Parameters	EAN	Index
electric strike with deactivator, powered by 12V DC, energy consumption 450 mA, galvanised silver, box	5906726670532	0AERVB00000.92000P



ELECTRIC STRIKE WITH MEMORY AND SWITCH 12V AC

It has so-called mechanical memory, which causes the strike to open with one short pulse. The strike remains in the same position until the door is opened and closed again. A mechanical switch allows the electric door strike to go into sleep mode (day/night function).

Parameters

Colours

Specification

- classification according to PN-EN: 14846:2010
- designed for alternating current (AC)
- allows opening of doors under tension up to 15 kg of pressure
- power supply voltage: 12V AC (-/+2 V)
- power consumption: 650 mA
- operating temperature: -25°C to +55°C
- weight: 210 g



galvanised
silver

Parameters	EAN	Index
electric strike with memory and deactivator, powered by 12V AC, energy consumption 650mA, galvanised silver, box	5902203174524	0AERWA00000.92000P



ELECTRIC STRIKE WITH MEMORY AND SWITCH 12V DC

It has so-called mechanical memory, which causes the strike to open with one short pulse. The strike remains in the same position until the door is opened and closed again. Unlike the AC electric door strike, this strike does not have protruding „sensors” and does not require the door to be precisely flush with the frame. A mechanical switch allows the electric door strike to go into sleep mode (day/night function).

Parameters

Colours

Specification

- classification according to PN-EN: 14846:2010
- power supply voltage: 12V DC (-/+2 V)
- power consumption: 450 mA
- operating temperature: -25°C to +55°C
- weight: 210 g



galvanised silver

Parameters	EAN	Index
electric strike with memory and deactivator, powered by 12V DC, energy consumption 450mA, galvanised silver, box	5906726670549	0AERWB00000.92000P

UNIVERSAL REINFORCED ELECTRIC STRIKE WITH SWITCH 12V AC/DC

It has so-called mechanical memory, which causes the strike to open with one short pulse. The strike remains in the same position until the door is opened and closed again. A mechanical switch allows the electric door strike to go to sleep mode (day/night function). Adapted to operate with AC as well as DC, depending on the infrastructure.



Parameters

Colours

Specification

- classification according to PN-EN: 14846:2010
- power supply voltage: 12V AC/DC (-/ +2 V)
- power consumption: 480/680 mA
- operating temperature: -25°C to +55°C



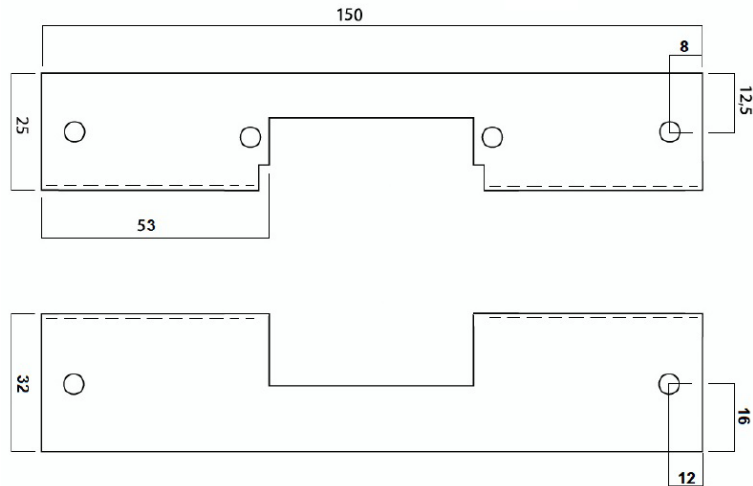
galvanised
silver

Parameters	EAN	Index
universal reinforced electric strike with memory and switch, powered by 12 V AC/DC, energy consumption 480/650mA, galvanised silver, box	5902203301302	0AEPVK00000.92000P

Parameters

Colour

SHORT ANGLE PLATE



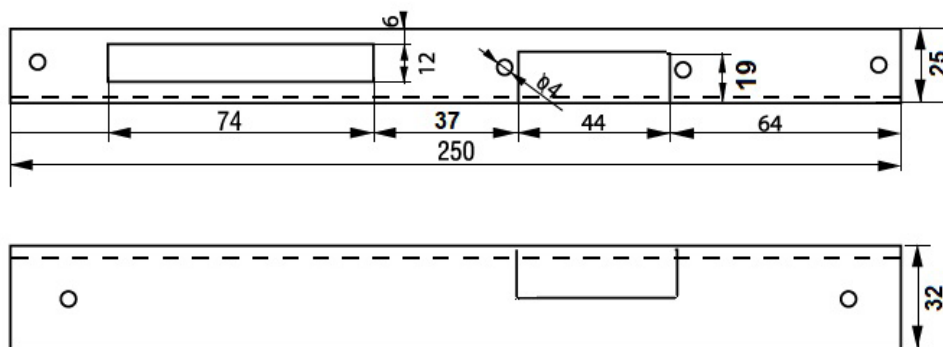
galvanised silver

Parameters	EAN	Index
universal short steel angle plate, length 150 mm, galvanised silver, plastic bag	5902203174586	0AEKS0UK000.92000P

Parameters

Colour

LONG ANGLE PLATE



galvanised silver

Parameters	EAN	Index
left-hand long steel angle plate, length 250 mm, galvanised silver, plastic bag	5902203174593	0AEKSOLD000.92000P
right-hand long steel angle plate, length 250 mm, galvanised silver, plastic bag	5902203174609	0AEKS0PD000.92000P

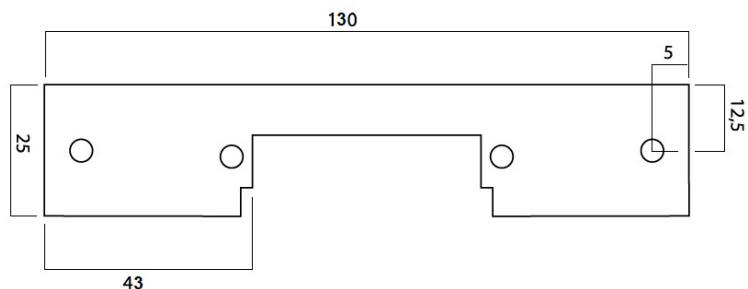
Parameters

Colour

SHORT FLAT BAR



galvanised silver



Parameters

EAN

Index

universal short steel flat bar, length 130 mm, galvanised silver, plastic bag

5902203174616

0AEPS00K000.92000P

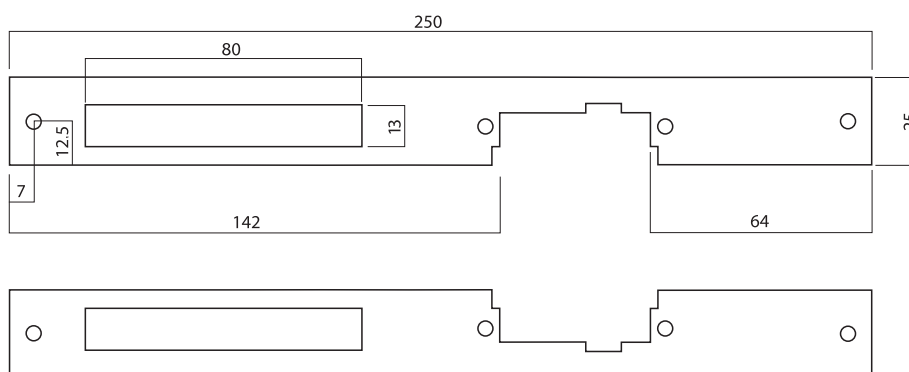
Parameters

Colour

LONG ANGLE PLATE



galvanised silver



Parameters

EAN

Index

universal short steel flat bar, length 250 mm, galvanised silver, plastic bag

5907620003976

0AEPSOLD000.92000P



08

DOOR VIEWERS

OPTIC F	174
OPTIC M	175
CLASSIC VIEWERS	176



Digital viewer

OPTIC F 2,4"

A modern and electronic door viewer with 2,4" LCD display and 320 x 240 resolution with photo capture.

Parameters

Colours

Specification

- LCD display: 2,4"
- resolution: 320 x 240 pixels
- memory: built-in
- battery with voltage regulator: 600 mAh
- camera: 0.3 MP
- device dimensions: 80 x 80 x 16 mm
- mounted in place of an optical door viewer
- material: ABS plastic, LCD display, PCB main board
- possibility to take picture from inside using the power button
- viewing angle: 90°
- door opening diameter: 14-28 mm
- supported door thickness: 35-120 mm
- outer hole diameter: 32 mm
- set includes micro USB charging cable



black

Parameters	EAN	Index
OPTIC F digital viewer, door thickness 35-120 mm, screen 2,4", photo capture, black, box	5902203345412	0ADWEF00000.06000P

Digital viewer

OPTIC M 4,3"

The door viewer features a large 4,3" display that provides a clear image of what is on the other side of the door. The image is clear even in very poor lighting conditions. On the external side of the camera housing there is a bell button, and pressing it activates the image display. It is possible to record on a standard memory card (micro SD) – the image is saved to be able to check later who visited the house.



Parameters

Colours

Specification

- LCD display: 4,3"
- resolution: 320 x 240 pixels
- image recording: YES, requires micro SD card*
- built-in bell
- camera: 1 MP
- battery with voltage regulator: 2500 mAh
- lighting: LEDs, clear picture at night
- dimensions: 146 x 97 x 20 mm
- equipped with a motion detector – if the camera detects motion at a distance of 1-3 m from the door viewer, it will automatically record the image
- mounted in place of an optical door viewer
- material: ABS plastic, LCD display, PCB main board
- mounting hole diameter: 14-28 mm
- supported door thickness: 35-120 mm
- external hole with dimensions of 60 mm x 60 mm
- viewing angle: 120°
- finish: black plastic covered with additional chrome-colored varnish
- set includes micro USB charging cable

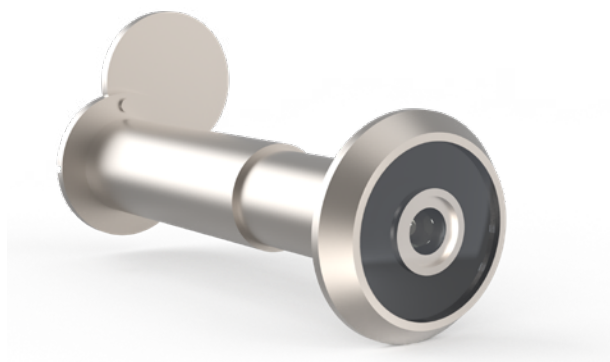


silver

Parameters	EAN	Index
OPTIC M digital viewer, door thickness 35-120 mm, screen 4,3", photo capture and recording feature, silver, box	5902203345429	OADWEM00000.15000P

CLASSIC VIEWER

The classic GERDA viewer satisfies all performance and aesthetic requirements.



Parameters

- viewing angle: 200°
- fitted with a flap
- brass housing
- supported door thickness: 35-55 mm or 50-80 mm
- available door viewer diameters: 14 mm and 16 mm

Colours



brass

satin nickel

Parameters	EAN	Index
door viewer, fire resistant, diameter 16 mm, length 35-55 mm, satin nickel, blister	5902203177112	0ADWP000000.90000B
door viewer, diameter 14 mm, length 35-55 mm, satin nickel, blister	5902203177273	0ADWS000000.90000B
door viewer, diameter 14 mm, length 35-55 mm, brass, blister	5902203177327	0ADWS000000.98000B
door viewer, diameter 14 mm, length 50-80 mm, satin nickel, blister	5902203177297	0ADWSD00000.90000B
door viewer, diameter 16 mm, length 50-80 mm, satin nickel, blister	5902203177310	0ADWSX00000.90000B
door viewer, diameter 16 mm, length 50-80 mm, brass, blister	5902203177396	0ADWSX00000.94000B



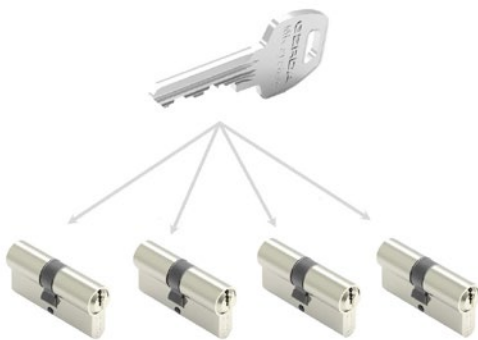
09

MASTER KEY SYSTEM

MASTER KEY

The Master key system consists of keys and various types of locks made in such a way that with one key it is possible to open the number of locks specified by the customer. The Master Key system may consist of various types of cylinders (patent), padlocks, cylinders for surface locks, industrial locks, furniture locks, etc.

KEYED ALIKE SYSTEM



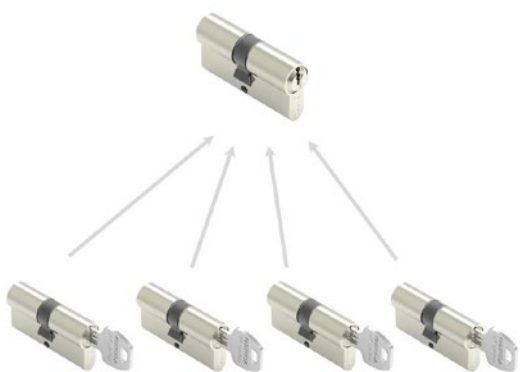
All cylinders are opened with the same key.

MAIN KEY SYSTEM



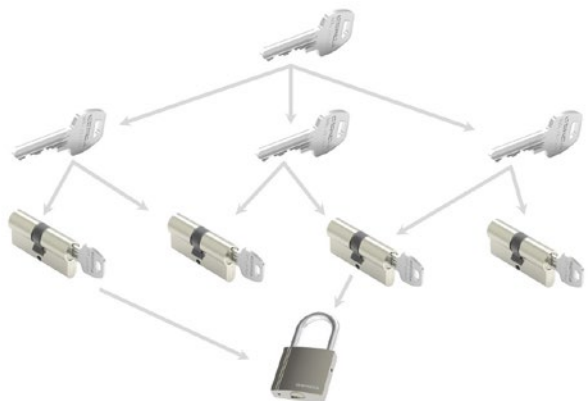
The master key opens all rooms inside the facility. Individual rooms are opened only with individual keys.

CENTRAL CYLINDER SYSTEM



Individual keys to one room (apartment) also open common rooms/doors (wicket gates, staircases, entrances to the garage, trash enclosures, etc.). Particularly useful in residential areas.

CENTRAL KEY SYSTEM



Dedicated to large office buildings, industrial buildings, schools, hospitals, etc. Depending on the organizational structure of the institution, there are several groups of keys in the system, subject to the master key which opens all doors in the entire system.



10

BICYCLE LOCKS

CONTRA 900 5P	184
CONTRA 900 6V	185
CONTRA 900 8V	186
CONTRA 900 8W	187
CONTRA 900 10V	188
CONTRA 900 10W	189
CONTRA 900 8X8L	190
CONTRA 900 6V NE	191
CONTRA 1200 6V	192
CONTRA 1200 8V	193
CONTRA LINE 900 6V	194
CONTRA LINE 1200 6V	195
CONTRA LINE COMBO 900 6C	196
BABY CONTRA COMBO 900 3,5C	197
CONTRA COMBO 900 8X8C	198
CONTRA COMBO 900 6C	199
CHAIN 1200/8 1200/10 SQUARE	200
CHAIN 1200/8 1200/10 ROUND	201
CONTRA SOLID 900 8,3W	202

FLEX 1000 8K	203
FLEX 1200 8V	204
FLEX 1200 10V	205
FLEX 1200 12V	206
FLEX 1200 8S	207
FLEX 1200 10S	208
FLEX 1500 8T / 10T / 12T	209
FLEX 650 10T / 12T	210
FLEX 1000 10K	211
BABY COMBO FLEX 650 8C	212
KOMBO FLEX 1000 8C	213
KOMBO FLEX 1000 10C	214
KOMBO FLEX 1200 8C	215
KOMBO FLEX 1200 10C	216
FLEX MAX 1800 12T	217
PROTECTOR 1800 12	218
LAND 14	219
FOLD 820W	220
FOLD 840V BLACK	221

FOLD 840V YELLOW	222
FOLD 840W SE BLACK	223
FOLD LITE 950V	224
ULTRA 245 165S	225
ULTRA 320 165W	226
ULTRA PLUS 320 165L	227
ULTRA COMBO 245 153C	228
ARMORED FLEX 1500/22 RED	229
ARMORED FLEX 1500/22 BLUE	230
MAINTENANCE PRODUCTS	231




Gerda® Class



CONTRA 900 5P

Bicycle chain lock – classic solution for securing bicycles.
5 mm round steel links.
Textile cover protects the bicycle from scratches.
Lightweight and secure chain.
Convenient double-sided key easy to use even in the dark.
Snap lock – with removed key.

 Type of key: P

 Number of keys: 2

BICYCLE CHAIN LOCK

Intended Use	Securing inexpensive bicycles, prams and other. Securing the bicycle for a short time in a safe place.
Guidelines	It is recommended to secure the bicycle through the frame and rear wheel. It is best to secure the bicycle to a post, railing or other fixed architectural element.
Transport	Wrapped on seatpost, handlebars or transported in pannier.

Index	Name	EAN	Length	Diameter	Colour	Packaging
OSCN0090005.MXP2XP	CONTRA 900 5P	5902203365076	90 cm	5 mm	COLOUR MIX	10 / 20



CONTRA 900 6V


Bicycle chain lock – classic solution for securing bicycles.


6 mm round steel links.

Textile cover protects the bicycle from scratches. Keyhole plug protects against contamination of the lock.

Convenient double-sided key easy to use even in the dark.

Key removable from both closed and open lock.

 Type of key: V

 Number of keys: 2

Gerda® Class



BICYCLE CHAIN LOCK



Intended Use	Securing inexpensive bicycles. Securing the bicycle for a short time in a safe place.
Guidelines	It is recommended to secure the bicycle through the frame and rear wheel. It is best to secure the bicycle to a post, railing or other fixed architectural element.
Transport	Wrapped on seatpost, handlebars or transported in pannier.

Index	Name	EAN	Length	Diameter	Colour	Packaging
OSCN0090006.06V2XP	CONTRA 900 6V	5902203333563	90 cm	6 mm	BLACK	10 / 20



CONTRA 900 8V

Bicycle chain lock – classic solution for securing bicycles.
 8 mm round steel links.
 Textile cover protects the bicycle from scratches.
 Automatic keyhole plug protects against contamination of the lock.
 Convenient double-sided key easy to use even in the dark.
 Key removable only from closed lock.

-  Type of key: V
-  Number of keys: 2

Gerda® Class



BICYCLE CHAIN LOCK

Intended Use	Securing medium-priced bicycles and scooters. Securing the vehicle for a longer time in a reasonably safe place.
Guidelines	It is recommended to secure the bicycle through the frame and rear wheel. It is best to secure the bicycle to a post, railing or other fixed architectural element.
Transport	Wrapped on seatpost or transported in pannier.

Index	Name	EAN	Length	Diameter	Colour	Packaging
OSCN0090008.06V2YP	CONTRA 900 8V	5902203333570	90 cm	8 mm	BLACK	6



CONTRA 900 8W


Bicycle chain lock – classic solution for securing bicycles.

8 mm round steel links.

Textile cover protects the bicycle from scratches. Automatic keyhole plug protects against contamination of the lock.

Convenient double-sided key easy to use even in the dark.

Key removable from both closed and open lock.

 **Type of key: W**

 **Number of keys: 2**

Gerda® Class



BICYCLE CHAIN LOCK



Intended Use	Securing medium-priced bicycles and scooters. Securing the vehicle for a longer time in a reasonably safe place.
Guidelines	It is recommended to secure the bicycle through the frame and rear wheel. It is best to secure the bicycle to a post, railing or other fixed architectural element.
Transport	Wrapped on seatpost or transported in pannier.

Index	Name	EAN	Length	Diameter	Colour	Packaging
OSCN0090006.06V2XP	CONTRA 900 8W	5902203333563	90 cm	8 mm	BLACK	6



CONTRA 900 10V

Bicycle chain lock – classic solution for securing bicycles.
 10 mm round steel links.
 Textile cover protects the bicycle from scratches.
 Automatic keyhole plug protects against contamination of the lock.
 Convenient double-sided key easy to use even in the dark.
 Key removable only from closed lock.

-  Type of key: V
-  Number of keys: 2

Gerda® Class



BICYCLE CHAIN LOCK

Intended Use	Securing more expensive bicycles and scooters. Securing the vehicle for a longer time in a reasonably safe place.
Guidelines	It is recommended to secure the bicycle through the frame and rear wheel. It is best to secure the bicycle to a post, railing or other fixed architectural element.
Transport	Wrapped on seatpost or transported in pannier.

Index	Name	EAN	Length	Diameter	Colour	Packaging
0SCN0090010.06V2YP	CONTRA 900 10V	5902203333587	90 cm	10 mm	BLACK	6



CONTRA 900 10W


Bicycle chain lock – classic solution for securing bicycles.

10 mm round steel links.

Textile cover protects the bicycle from scratches. Automatic keyhole plug protects against contamination of the lock.

Convenient double-sided key easy to use even in the dark.

Key removable from both closed and open lock.

 Type of key: W

 Number of keys: 2

Gerda® Class



BICYCLE CHAIN LOCK



Intended Use	Securing more expensive bicycles and scooters. Securing the vehicle for a longer time in a reasonably safe place.
Guidelines	It is recommended to secure the bicycle through the frame and rear wheel. It is best to secure the bicycle to a post, railing or other fixed architectural element.
Transport	Wrapped on seatpost or transported in pannier.

Index	Name	EAN	Length	Diameter	Colour	Packaging
OSCN0090010.06W2ZP	CONTRA 900 10W	5902203333600	90 cm	10 mm	BLACK	6



CONTRA 900 8X8L

Bicycle chain lock – classic solution for securing bicycles.
 8 mm square steel links.
 Textile cover protects the bicycle from scratches.
 Square chain links provide greater security with less weight.
 Convenient double-sided key easy to use even in the dark.
 Locking with key.

-  Type of key: L
-  Number of keys: 2

Gerda® Class



BICYCLE CHAIN LOCK

Intended Use	Securing medium-priced bicycles. Securing the vehicle for a longer time in a reasonably safe place.
Guidelines	It is recommended to secure the bicycle through the frame and rear wheel. It is best to secure the bicycle to a post, railing or other fixed architectural element.
Transport	Wrapped on seatpost, handlebars or transported in pannier.

Index	Name	EAN	Length	Diameter	Colour	Packaging
OSCN00900K8.06L2ZP	CONTRA 900 8X8L	59002203365168	90 cm	8 mm	BLACK	6



CONTRA 900 6V NE

Bicycle chain lock – classic solution for securing bicycles.


6 mm round steel links.

Textile cover protects the bicycle from scratches. Lightweight and secure chain.

Convenient double-sided key easy to use even in the dark.

Automatic keyhole plug protects against contamination of the lock.

Key removable only from closed lock.

 **Type of key: V**

 **Number of keys: 2**

Gerda® Class



BICYCLE CHAIN LOCK



Intended Use	Securing inexpensive bicycles. Securing the bicycle for a short time in a safe place.
Guidelines	It is recommended to secure the bicycle through the frame and rear wheel. It is best to secure the bicycle to a post, railing or other fixed architectural element.
Transport	Wrapped on seatpost, handlebars or transported in pannier.

Index	Name	EAN	Length	Diameter	Colour	Packaging
OSCN0090006.06V2UP	CONTRA 900 6V NE	5902203365205	90 cm	6 mm	BLACK	12



CONTRA 1200 6V

Bicycle chain lock – classic solution for securing bicycles.
 6 mm round steel links.
 Textile cover protects the bicycle from scratches.
 Keyhole plug protects against contamination of the lock.
 Convenient double-sided key easy to use even in the dark.
 Key removable from both closed and open lock.

-  Type of key: V
-  Number of keys: 2

Gerda® Class



BICYCLE CHAIN LOCK


Intended Use	Securing inexpensive bicycles. Securing the bicycle for a short time in a safe place.
Guidelines	It is recommended to secure the bicycle through the frame and rear wheel. It is best to secure the bicycle to a post, railing or other fixed architectural element.
Transport	Wrapped on seatpost, handlebars or transported in pannier.

Index	Name	EAN	Length	Diameter	Colour	Packaging
0SCN0120006.06V2XP	CONTRA 1200 6V	5902203365182	120 cm	6 mm	BLACK	12



CONTRA 1200 8V

Bicycle chain lock – classic solution for securing bicycles.
 8 mm round steel links.
 Textile cover protects the bicycle from scratches.
 Automatic keyhole plug protects against contamination of the lock.
 Convenient double-sided key easy to use even in the dark.
 Key removable only from closed lock.

 Type of key: V

 Number of keys: 2

Gerda® Class



BICYCLE CHAIN LOCK

Intended Use	Securing medium-priced bicycles and scooters. Securing the vehicle for a longer time in a reasonably safe place.
Guidelines	It is recommended to secure the bicycle through the frame and rear wheel. It is best to secure the bicycle to a post, railing or other fixed architectural element.
Transport	Wrapped on seatpost, handlebars or transported in pannier.


Index	Name	EAN	Length	Diameter	Colour	Packaging
0SCN0120008.06V2XP	CONTRA 1200 8V	5902203365199	120 cm	8 mm	BLACK	6



CONTRA LINE 900 6V

Bicycle chain lock – classic solution for securing bicycles. 6 mm round steel links.
Cover made of flexible and durable material protects the bicycle from scratches. Lightweight and secure chain.
Convenient double-sided key easy to use even in the dark.
Automatic keyhole plug protects against contamination of the lock.
Snap lock – also with removed key.

 **Type of key: V**

 **Number of keys: 2**

Gerda® Class



BICYCLE CHAIN LOCK

Intended Use	Securing inexpensive bicycles, prams and other. Securing the bicycle for a short time in a safe place.
Guidelines	It is recommended to secure the bicycle through the frame and rear wheel. It is best to secure the bicycle to a post, railing or other fixed architectural element.
Transport	Wrapped on seatpost, handlebars or transported in pannier.

Index	Name	EAN	Length	Diameter	Colour	Packaging
OSCN0090006.06V2YP	CONTRA LINE 900 6V	5902203365090	90 cm	6 mm	BLACK	12




Gerda® Class



CONTRA LINE 1200 6V

Bicycle chain lock – classic solution for securing bicycles.
6 mm round steel links.
Textile cover protects the bicycle from scratches.
Keyhole plug protects against contamination of the lock.
Snap lock – also with removed key.

 Type of key: V

 Number of keys: 2

BICYCLE CHAIN LOCK

Intended Use	Securing bicycles, scooters and other.
Guidelines	It is recommended to secure the bicycle through the frame and rear wheel. It is best to secure the bicycle to a post, railing or other fixed architectural element.
Transport	Wrapped on seatpost or transported in pannier.

Index	Name	EAN	Length	Diameter	Colour	Packaging
0SCN0120006.06V2YP	CONTRA LINE 1200 6V	5902203376652	120 cm	6 mm	BLACK	10



CONTRA LINE COMBO 900 6C

Chain lock with combination lock.
 Convenient opening and closing without the need for a key.
 4-digit code that can be set individually.
 6 mm round steel links.
 Lightweight and secure chain.
 Cover made of flexible and durable material protects the bicycle from scratches.

 4-Digit Code

Gerda® Class



BICYCLE CHAIN LOCK

Intended Use	Securing inexpensive bicycles, prams and other. Securing the bicycle for a short time in a safe place.
Guidelines	It is recommended to secure the bicycle through the frame and rear wheel. It is best to secure the bicycle to a post, railing or other fixed architectural element.
Transport	Wrapped on seatpost, handlebars or transported in pannier.

Index	Name	EAN	Length	Diameter	Colour	Packaging
OSCK00900K6.06C0XP	CONTRA LINE COMBO 900 6C	5902203376690	90 cm	6 mm	BLACK	6 / 12



Gerda® Class



BABY CONTRA COMBO 900 3,5C

Bicycle combination lock for children – perfect for first bicycle lock.
 3,5 mm round steel links.
 Textile cover protects the bicycle from scratches.
 Lockable with a 4-digit code that can be set individually.
 Convenient combination lock, allowing you not to carry a key.

 4-Digit Code

BICYCLE CHAIN LOCK

Intended Use	Securing inexpensive bicycles, prams and other. Securing the bicycle for a short time in a safe place.
Guidelines	It is recommended to secure the bicycle through the frame and rear wheel. It is best to secure the bicycle to a post, railing or other fixed architectural element.
Transport	Wrapped on seatpost, handlebars or transported in pannier.

Index	Name	EAN	Length	Diameter	Colour	Packaging
OSCK0090003.MXC0XP	CONTRA COMBO 900 3,5C	5902203365069	90 cm	3,5 mm	COLOUR MIX	10 / 20



CONTRA COMBO 900 8X8C

Bicycle combination lock – safety and convenience of use.
8 mm square steel links.
Textile cover protects the bicycle from scratches.
Lockable with a 5-digit code that can be set individually.
Convenient combination lock, allowing you not to carry a key.

 5-Digit Code

Gerda® Class



BICYCLE CHAIN LOCK

Intended Use	Securing medium-priced bicycles. Securing the vehicle for a longer time in a reasonably safe place.
Guidelines	It is recommended to secure the bicycle through the frame and rear wheel. It is best to secure the bicycle to a post, railing or other fixed architectural element.
Transport	Wrapped on seatpost, handlebars or transported in pannier.

Index	Name	EAN	Length	Diameter	Colour	Packaging
OSCK00900K8.06C0XP	CONTRA COMBO 900 8X8C	5902203365175	90 cm	8 mm	BLACK	10



CONTRA COMBO 900 6C

Bicycle combination lock – safety and convenience of use.
 6 mm round steel links.
 Textile cover protects the bicycle from scratches.
 Lockable with a 5-digit code that can be set individually.
 Convenient combination lock, allowing you not to carry a key.

 5-Digit Code

Gerda® Class



BICYCLE CHAIN LOCK

Intended Use	Securing inexpensive bicycles, prams and other. Securing the bicycle for a short time in a safe place.
Guidelines	It is recommended to secure the bicycle through the frame and rear wheel. It is best to secure the bicycle to a post, railing or other fixed architectural element.
Transport	Wrapped on seatpost, handlebars or transported in pannier.

Index	Name	EAN	Length	Diameter	Colour	Packaging
OSCK0090006.06C0XP	CONTRA COMBO 900 6C	5902203365083	90 cm	6 mm	BLACK	12



CHAIN 1200/8 1200/10 SQUARE

Chain for use with padlock.
8 mm or 10 mm square links.
Textile cover protects from scratches.

BICYCLE CHAIN LOCK

Intended Use	Used with padlock – securing bicycles, scooters and other.
Guidelines	It is recommended to secure the bicycle through the frame and rear wheel. It is best to secure the bicycle to a post, railing or other fixed architectural element.
Transport	Wrapped on seatpost or transported in pannier.

Index	Name	EAN	Length	Diameter	Colour	Packaging
OSL00120P08.06000P	CHAIN 1200/8 SQUARE	5902203365229	120 cm	8 mm	BLACK	6
OSL00120P10.06000P	CHAIN 1200/10 SQUARE	5902203365243	120 cm	10 mm	BLACK	4



CHAIN 1200/8 1200/10 ROUND

Chain for use with padlock.
8 mm or 10 mm round links .
Textile cover protects from scratches.

BICYCLE CHAIN LOCK

Intended Use	Used with padlock – securing bicycles, scooters and other.
Guidelines	It is recommended to secure the bicycle through the frame and rear wheel. It is best to secure the bicycle to a post, railing or other fixed architectural element.
Transport	Wrapped on seatpost or transported in pannier.

Index	Name	EAN	Length	Diameter	Colour	Packaging
OSL00120008.06000P	CHAIN 1200/8 ROUND	5902203365212	120 cm	8 mm	BLACK	6
OSL00120010.06000P	CHAIN 1200/10 ROUND	5902203365236	120 cm	10 mm	BLACK	4





CONTRA SOLID 900 8,3W

Bicycle chain lock – classic solution for securing bicycles.

Hardened 8,3 mm square links.

Textile cover protects the bicycle from scratches. Convenient double-sided key easy to use even in the dark.

 Type of key: W

 Number of keys: 2

Gerda® Class



BICYCLE CHAIN LOCK

Intended Use	Securing expensive bicycles. Securing the vehicle for a longer time in a reasonably safe place.
Guidelines	It is recommended to secure the bicycle through the frame and rear wheel. It is best to secure the bicycle to a post, railing or other fixed architectural element.
Transport	Wrapped on seatpost or transported in pannier.

Index	Name	EAN	Length	Diameter	Colour	Packaging
OSCS0090008.23W2YP	CONTRA SOLID 900 8,3	5902203376676	90 cm	8,3 mm	BLUE	6




Gerda® Class



FLEX 1000 8K

Bicycle loop lock – perfect for short trips.
 8 mm braided cable.
 PVC cover protects bicycle from scratches.
 Flexible cable returns to its original shape.
 Easy to use double-sided key.
 Snap lock – also with removed key.

 Type of key: K

 Number of keys: 2

BICYCLE LOOP LOCK

Intended Use	Securing inexpensive bicycles, prams and other. Securing the bicycle for a short time in a safe place.
Guidelines	It is recommended to secure the bicycle through the frame and rear wheel. It is best to secure the bicycle to a post, railing or other fixed architectural element.
Transport	Wrapped on seatpost, handlebars or transported in pannier.

Index	Name	EAN	Length	Diameter	Colour	Packaging
0SFL0100008.06K2ZP	FLEX 1000 8K	5902203333709	100 cm	8 mm	BLACK	10 / 60



FLEX 1200 8V

Bicycle loop lock – useful both on the road and at home.

8 mm braided cable.

PVC cover protects bicycle from scratches.

Sliding keyhole plug protects against contamination of the lock.

Convenient double-sided key easy to use even in the dark.

Snap lock – also with removed key.

 Type of key: V

 Number of keys: 2

Gerda® Class



BICYCLE LOOP LOCK


Intended Use	Securing inexpensive bicycles, prams and other. Securing the bicycle for a short time in a safe place.
Guidelines	It is recommended to secure the bicycle through the frame and rear wheel. It is best to secure the bicycle to a post, railing or other fixed architectural element.
Transport	Wrapped on seatpost, handlebars or transported in pannier.

Index	Name	EAN	Length	Diameter	Colour	Packaging
0SFL0120008.06V2XP	FLEX 1200 8V	5902203333648	120 cm	8 mm	BLACK	10 / 60



FLEX 1200 10V

Bicycle loop lock – useful both on the road and at home.
 10 mm braided cable.
 PVC cover protects bicycle from scratches.
 Sliding keyhole plug protects against contamination of the lock.
 Convenient double-sided key easy to use even in the dark.
 Snap lock – also with removed key.

 Type of key: V

 Number of keys: 2

Gerda® Class



BICYCLE LOOP LOCK

Intended Use	Securing medium-priced bicycles, prams and other. Securing the vehicle for a longer time in a reasonably safe place.
Guidelines	It is recommended to secure the bicycle through the frame and rear wheel. It is best to secure the bicycle to a post, railing or other fixed architectural element.
Transport	Wrapped on seatpost, handlebars or transported in pannier.

Index	Name	EAN	Length	Diameter	Colour	Packaging
0SFL0120010.06V2XP	FLEX 1200 10V	5902203333655	120 cm	10 mm	BLACK	10 / 60



FLEX 1200 12V

Bicycle loop lock – useful both on the road and at home.

12 mm braided cable.

PVC cover protects bicycle from scratches.

Sliding keyhole plug protects against contamination of the lock.

Convenient double-sided key.

Snap lock – also with removed key.

 Type of key: V

 Number of keys: 2

Gerda® Class



BICYCLE LOOP LOCK


Intended Use	Securing medium-priced bicycles, prams and other. Securing the vehicle for a longer time in a reasonably safe place.
Guidelines	It is recommended to secure the bicycle through the frame and rear wheel. It is best to secure the bicycle to a post, railing or other fixed architectural element.
Transport	Wrapped on seatpost, handlebars or transported in pannier.

Index	Name	EAN	Length	Diameter	Colour	Packaging
0SFL0120012.06V2XP	FLEX 1200 12V	5902203333662	120 cm	12 mm	BLACK	10 / 60

FLEX 1200 8S

Bicycle loop lock with carrying handle – useful both on the road and at home.
 8 mm braided cable.
 PVC cover protects bicycle from scratches.
 Sliding keyhole plug protects against contamination of the lock.
 Single-sided key for 5-lever lock.
 Snap lock – also with removed key.

Carrying handle included.

 Type of key: S

 Number of keys: 2



Gerda® Class



BICYCLE LOOP LOCK

Intended Use	Securing inexpensive bicycles, prams and other. Securing the bicycle for a longer time in a reasonably safe place.
Guidelines	It is recommended to secure the bicycle through the frame and rear wheel. It is best to secure the bicycle to a post, railing or other fixed architectural element.
Transport	On the carrying handle – on the frame, handlebars or seatpost.



Index	Name	EAN	Length	Diameter	Colour	Packaging
0SFLU120008.06S2YP	FLEX 1200 8S	5902203333679	120 cm	8 mm	BLACK	10 / 60



FLEX 1200 10S

Bicycle loop lock with carrying handle – useful both on the road and at home.
 10 mm braided cable.
 PVC cover protects bicycle from scratches.
 Sliding keyhole plug protects against contamination of the lock.
 Single-sided key for 5-lever lock.
 Snap lock – also with removed key.

Carrying handle included.

-  Type of key: S
-  Number of keys: 2

BICYCLE LOOP LOCK

Intended Use	Securing medium-priced bicycles, prams and other. Securing the vehicle for a longer time in a reasonably safe place.
Guidelines	It is recommended to secure the bicycle through the frame and rear wheel. It is best to secure the bicycle to a post, railing or other fixed architectural element.
Transport	On the carrying handle – on the frame, handlebars or seatpost.

Index	Name	EAN	Length	Diameter	Colour	Packaging
0SFLU120010.06S2YP	FLEX 1200 10S	5902203333686	120 cm	10 mm	BLACK	10 / 60




FLEX 1500

8T / 10T / 12T

Bicycle loop lock – useful both on the road and at home. 8, 10 or 12 mm braided cable. PVC cover protects bicycle from scratches. Sliding keyhole plug protects against contamination of the lock. Convenient double-sided key easy to use even in the dark. Snap lock – also with removed key.

Carrying handle included.

 Type of key: V

 Number of keys: 2





BICYCLE LOOP LOCK

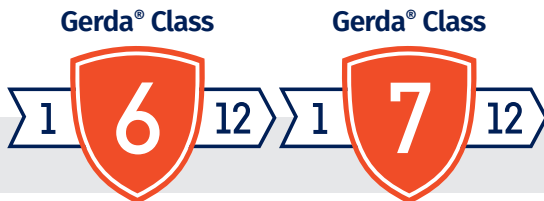
Intended Use	Securing medium-priced bicycles, prams and other. Securing the vehicle for a longer time in a reasonably safe place.
Guidelines	It is recommended to secure the bicycle through the frame and rear wheel. It is best to secure the bicycle to a post, railing or other fixed architectural element.
Transport	On the carrying handle – on the frame, handlebars or seatpost.

Index	Name	EAN	Length	Diameter	Colour	Packaging
0SFL0150008.06T2XP	FLEX 1500 8T	5902203365014	150 cm	8 mm	BLACK	10 / 60
0SFL0150010.06T2XP	FLEX 1500 10T	5902203365038	150 cm	10 mm	BLACK	10 / 40
0SFL0150012.06T2XP	FLEX 1500 12T	5902203365052	150 cm	12 mm	BLACK	10 / 40

FLEX 650 10T / 12T

Bicycle loop lock – useful both on the road and at home.
 10 or 12 mm braided cable.
 PVC cover protects bicycle from scratches.
 Sliding keyhole plug protects against contamination of the lock .
 Convenient double-sided key easy to use even in the dark.
 Snap lock – also with removed key.

-  Type of key: T
-  Number of keys: 2



BICYCLE LOOP LOCK

Intended Use	Securing medium-priced bicycles, prams and other. Securing the bicycle for a longer time in a reasonably safe place.
Guidelines	It is recommended to secure the bicycle through the frame and rear wheel. It is best to secure the bicycle to a post, railing or other fixed architectural element.
Transport	Wrapped on seatpost, handlebars or transported in pannier.

Index	Name	EAN	Length	Diameter	Colour	Packaging
0SFL0065010.06T2XP	FLEX 650 10T	5902203365021	65 cm	10 mm	BLACK	10 / 60
0SFL0065012.06T2XP	FLEX 650 12T	5902203365045	65 cm	12 mm	BLACK	10 / 60



Gerda® Class



FLEX 1000 10K

Bicycle loop lock – useful both on the road and at home.


10 mm braided cable.

PVC cover protects bicycle from scratches.

Flexible cable returns to its original shape.

Easy to use double-sided key.

Snap lock – also with removed key.

 Type of key: K

 Number of keys: 2

BICYCLE LOOP LOCK

Intended Use	Securing medium-priced bicycles, prams and other. Securing the bicycle for a longer time in a reasonably safe place.
Guidelines	It is recommended to secure the bicycle through the frame and rear wheel. It is best to secure the bicycle to a post, railing or other fixed architectural element.
Transport	Wrapped on seatpost, handlebars or transported in pannier.

Index	Name	EAN	Length	Diameter	Colour	Packaging
0SFL0100010.06K2ZP	FLEX 1000 10K	5902203333716	100 cm	10 mm	BLACK	10 / 60



Gerda® Class



BABY COMBO FLEX 650 8C

Bicycle loop lock for children – perfect for first bicycle.

8 mm braided cable.

PVC cover protects bicycle from scratches.

Lockable with a 4-digit code that can be set individually.

Convenient combination lock, allowing you not to carry a key.

 4-Digit Code

BICYCLE LOOP LOCK

Intended Use	Securing inexpensive bicycles, prams and other. Securing the bicycle for a short time in a safe place.
Guidelines	It is recommended to secure the bicycle through the frame and rear wheel. It is best to secure the bicycle to a post, railing or other fixed architectural element.
Transport	Wrapped on seatpost, handlebars or transported in pannier.

Index	Name	EAN	Length	Diameter	Colour	Packaging
OSKF0065008.MXC0XP	BABY COMBO FLEX 650 8C	5902203365007	65 cm	8 mm	COLOUR MIX	10 / 60



KOMBO FLEX 1000 8C

Bicycle loop lock with combination lock – useful both on the road and at home.

8 mm braided cable.

PVC cover protects bicycle from scratches.

Lockable with a 4-digit code that can be set individually.

Convenient combination lock, allowing you not to carry a key.

 4-Digit Code

Gerda® Class



BICYCLE LOOP LOCK

Intended Use	Securing inexpensive bicycles, prams and other. Securing the bicycle for a short time in a safe place.
Guidelines	It is recommended to secure the bicycle through the frame and rear wheel. It is best to secure the bicycle to a post, railing or other fixed architectural element.
Transport	Wrapped on seatpost, handlebars or transported in pannier.

Index	Name	EAN	Length	Diameter	Colour	Packaging
OSKF0100008.06C0XP	COMBO FLEX 1000 8C	5902203333730	100 cm	8 mm	BLACK	10 / 60



KOMBO FLEX 1000 10C

Bicycle loop lock with combination lock – useful both on the road and at home.

10 mm braided cable.

PVC cover protects bicycle from scratches.

Lockable with a 4-digit code that can be set individually.

Convenient combination lock, allowing you not to carry a key.

 4-Digit Code

Gerda® Class



BICYCLE LOOP LOCK

Intended Use	Securing medium-priced bicycles, prams and other Securing the vehicle for a longer time in a reasonably safe place
Guidelines	It is recommended to secure the bicycle through the frame and rear wheel. It is best to secure the bicycle to a post, railing or other fixed architectural element.
Transport	Wrapped on seatpost, handlebars or transported in pannier.

Index	Name	EAN	Length	Diameter	Colour	Packaging
OSKF0100010.06C0XP	COMBO FLEX 1000 10C	5902203333747	100 cm	10 mm	BLACK	10 / 60



KOMBO FLEX 1200 8C

Bicycle loop lock with combination lock and carrying handle – useful both on the road and at home. 8 mm braided cable.

PVC cover protects bicycle from scratches.

Lockable with a 4-digit code that can be set individually.

Convenient combination lock, allowing you not to carry a key.

Carrying handle included.

 4-Digit Code

Gerda® Class



BICYCLE LOOP LOCK

Intended Use	Securing inexpensive bicycles, prams and other. Securing the bicycle for a short time in a safe place.
Guidelines	It is recommended to secure the bicycle through the frame and rear wheel. It is best to secure the bicycle to a post, railing or other fixed architectural element.
Transport	On the carrying handle – on the frame, handlebars or seatpost.

Index	Name	EAN	Length	Diameter	Colour	Packaging
OSKF0120010.06C0XP	COMBO FLEX 1200 10C	5902203333761	120 cm	10 mm	BLACK & GREEN	10 / 60



KOMBO FLEX 1200 10C

Bicycle loop lock with combination lock and carrying handle – useful both on the road and at home.

10 mm braided cable.

PVC cover protects bicycle from scratches.

Lockable with a 4-digit code that can be set individually.

Convenient combination lock, allowing you not to carry a key.

 4-Digit Code

Gerda® Class



BICYCLE LOOP LOCK

Intended Use	Securing medium-priced bicycles, prams and other. Securing the vehicle for a longer time in a reasonably safe place.
Guidelines	It is recommended to secure the bicycle through the frame and rear wheel. It is best to secure the bicycle to a post, railing or other fixed architectural element.
Transport	On the carrying handle – on the frame, handlebars or seatpost.

Index	Name	EAN	Length	Diameter	Colour	Packaging
OSKF0120010.06C0XP	COMBO FLEX 1200 10C	5902203333761	120 cm	10 mm	BLACK & GREEN	10 / 60



FLEX MAX 1800 12T

Universal and long (180 cm) bicycle cable lock with carrying handle included.

Possibility of locking up to 3 bicycles together. 12 mm braided cable.

PVC cover protects bicycle from scratches.

Flexible cable returns to its original shape.

Easy to use double-sided key.

Snap lock – also with removed key.

Keyhole plug protects against contamination of the lock.

Type of key: T

Number of keys: 2

BICYCLE LOOP LOCK

Intended Use	Securing bicycles, scooters and other.
Guidelines	It is recommended to secure the bicycle through the frame and rear wheel. It is best to secure the bicycle to a post, railing or other fixed architectural element.
Transport	On the carrying handle – on the frame, handlebars or seatpost.

Index	Name	EAN	Length	Diameter	Colour	Packaging
0SFL0180012.06T2XP	FLEX MAX 1800 12	5902203376720	180 cm	12 mm	BLACK	10 / 40



PROTECTOR 1800 12

Universal, long (180 cm) steel cable useful for travel, home and garden.
12 mm braided cable.
PVC cover protects bicycle from scratches.

Used with padlock.

BICYCLE LOOP LOCK

Intended Use	Securing medium-priced bicycles, prams and other. Securing the vehicle for a longer time in a reasonably safe place using padlock.
Guidelines	It is recommended to secure the bicycle through the frame and rear wheel. It is best to secure the bicycle to a post, railing or other fixed architectural element.
Transport	Wrapped on seatpost or transported in pannier.

Index	Name	EAN	Length	Diameter	Colour	Packaging
OSP00180012.06000P	PROTECTOR 1800/12	5902203376751	180 cm	12 mm	BLACK	6 / 36

LAND 14

Wall/floor anchor with 14 mm diameter hardened hasp.
 Perfect solution for garages and underground car parks.
 Housing made of durable plastic.
 Foldable eye.
 Strong bolts with steel bolts for concrete together with ball plugs guarantee an extremely solid connection to the substrate – floor or wall.

Works perfectly with a solid chain or folding lock.



Gerda® Class



ANCHORS

Intended Use	Securing expensive vehicles. Securing a vehicle in a garage or in front of buildings.
Guidelines	It is recommended to secure the bicycle through the frame and rear wheel.
Installation	Perfect for underground garages for securing bicycles, scooters and motorbikes.


Index	Name	EAN	Length	Diameter	Colour	Packaging
OSLA0000014.06000B	LAND 14	5902203333556	-	14 mm	BLACK	4 / 8



FOLD 820W

Length 95 cm – combining comfort and safety.
 Six 7 mm steel panels on sturdy joints.
 PVC cover protects bicycle from scratches.
 Very small size when folded.
 Convenient double-sided key easy to use even in the dark.
 Lockable with a key.

Carrying case included.

 Type of key: W

 Number of keys: 2

Gerda® Class



BICYCLE FOLDING LOCK

Intended Use	Securing expensive bicycles. Securing the vehicle for a longer time in a reasonably safe place.
Guidelines	It is recommended to secure the bicycle through the frame and rear wheel. It is best to secure the bicycle to a post, railing or other fixed architectural element.
Transport	Carrying case attached using bands to the frame or using screws in place for the water bottle.


Index	Name	EAN	Length	Diameter	Colour	Packaging
OSF00082000.06W2ZP	FOLD 820W	5902203333631	95 cm	7 mm	BLACK & WHITE	6 / 12



FOLD 840V BLACK

Length 84 cm – easy to lock.
Six 8 mm steel panels on sturdy joints.
PVC cover protects bicycle from scratches.
Very small size when folded.
Convenient double-sided key easy to use even in the dark.

Carrying case included.

 Type of key: V

 Number of keys: 2

Gerda® Class



BICYCLE FOLDING LOCK

Intended Use	Securing expensive bicycles. Securing the vehicle for a longer time in a reasonably safe place.
Guidelines	It is recommended to secure the bicycle through the frame and rear wheel. It is best to secure the bicycle to a post, railing or other fixed architectural element.
Transport	Carrying case attached using bands to the frame or using screws in place for the water bottle.


Index	Name	EAN	Length	Diameter	Colour	Packaging
0SF00084000.06V2XP	FOLD 840V BLACK	5902203333617	84 cm	8 mm	BLACK	6 / 12




FOLD 840V YELLOW

Length 84 cm – easy to lock.
Six 8 mm steel panels on sturdy joints.
PVC cover protects bicycle from scratches.
Very small size when folded.
Convenient double-sided key easy to use even in the dark.

Carrying case included.

 Type of key: V

 Number of keys: 2

Gerda® Class



BICYCLE FOLDING LOCK

Intended Use	Securing expensive bicycles. Securing the vehicle for a longer time in a reasonably safe place.
Guidelines	It is recommended to secure the bicycle through the frame and rear wheel. It is best to secure the bicycle to a post, railing or other fixed architectural element.
Transport	Carrying case attached using bands to the frame or using screws in place for the water bottle.


Index	Name	EAN	Length	Diameter	Colour	Packaging
0SF00084000.06V2YP	FOLD 840V YELLOW	5902203333624	84 cm	8 mm	BLACK & YELLOW	6 / 12



FOLD 840W SE BLACK

Length 84 cm – easy to lock.
Six 8 mm steel panels on sturdy joints.
PVC cover protects bicycle from scratches.
Very small size when folded.
Convenient double-sided key easy to use even in the dark.
Lockable with a key.

Carrying case included.

 Type of key: W

 Number of keys: 2

Gerda® Class



BICYCLE FOLDING LOCK

Intended Use	Securing expensive bicycles. Securing the vehicle for a longer time in a reasonably safe place.
Guidelines	It is recommended to secure the bicycle through the frame and rear wheel. It is best to secure the bicycle to a post, railing or other fixed architectural element.
Transport	Carrying case attached using bands to the frame or using screws in place for the water bottle.

Index	Name	EAN	Length	Diameter	Colour	Packaging
OSF00084000.06W2YP	FOLD 840 W SE BLACK	5902203365113	84 cm	8 mm	BLACK	6 / 12




Gerda® Class



FOLD LITE 950V

Length 95 cm – combining comfort and safety.
Eight 7 mm steel panels on sturdy joints.
PVC cover protects bicycle from scratches.
Very small size when folded.
Convenient double-sided key easy to use even in the dark.
Lockable with a key.

Carrying case included.

 Type of key: V

 Number of keys: 2

BICYCLE FOLDING LOCK

Intended Use	Securing medium-priced bicycles. Securing the vehicle for a longer time in a reasonably safe place.
Guidelines	It is recommended to secure the bicycle through the frame and rear wheel. It is best to secure the bicycle to a post, railing or other fixed architectural element.
Transport	Carrying case attached using bands to the frame or using screws in place for the water bottle.

Index	Name	EAN	Length	Diameter	Colour	Packaging
OSF00095000.MXV2YP	FOLD LITE 950V	5902203365106	95 cm	7 mm	COLOUR MIX	6 / 12




Gerda® Class



ULTRA 245 165S

U-Lock for locking and/or securing bicycles.
Steel round 14 mm shackle bolted on both sides.
High weather resistance.
PVC cover protects bicycle from scratches.
Sliding keyhole plug protects against contamination of the lock.
Single-sided key for 5-lever lock.
Lockable with a key.

Carrying handle included.

 **Type of key: S**

 **Number of keys: 2**

BICYCLE SHACKLE

Intended Use	Securing expensive bicycles. Securing the vehicle for a longer time in a reasonably safe place.
Guidelines	It is recommended to secure the bicycle through the frame and rear wheel. It is best to secure the bicycle to a post, railing or other fixed architectural element.
Transport	On the carrying handle – on the frame or in the pannier.

Index	Name	EAN	Length	Diameter	Colour	Packaging
0SUL0245165.06S2XP	ULTRA 245/165S	5902203333778	24,5 x 16,5 cm	14 mm	BLACK & BLUE	6 / 12



ULTRA 320 165W

U-Lock – handy and secure solution.
Steel round 14 mm shackle bolted on both sides.
PVC cover protects bicycle from scratches.
Weather resistant.
Sliding keyhole plug protects against contamination of the lock.
Convenient double-sided key easy to use even in the dark.

Carrying handle included.

Type of key: W

Number of keys: 2

BICYCLE SHACKLE

Intended Use	Securing expensive bicycles. Securing the vehicle for a longer time in a reasonably safe place.
Guidelines	It is recommended to secure the bicycle through the frame and rear wheel. It is best to secure the bicycle to a post, railing or other fixed architectural element.
Transport	On the carrying handle – on the frame or in the pannier.


Index	Name	EAN	Length	Diameter	Colour	Packaging
0SUL0320165.06W2XP	ULTRA 320 165W	5902203365120	32 x 16,5 cm	14 mm	BLACK & BLUE	6 / 12



ULTRA PLUS 320 165L

U-Lock – handy and secure solution. Steel round 14 mm shackle bolted on both sides. PVC cover protects bicycle from scratches. Weather resistant. Cylinder with disc mechanism. Sliding keyhole plug protects against contamination of the lock. Convenient double-sided key easy to use even in the dark. Lockable with a key.

Carrying handle included.

 **Type of key: L**

 **Number of keys: 2**

BICYCLE SHACKLE

Intended Use	Securing expensive bicycles. Securing the vehicle for a longer time in a reasonably safe place.
Guidelines	It is recommended to secure the bicycle through the frame and rear wheel. It is best to secure the bicycle to a post, railing or other fixed architectural element.
Transport	On the carrying handle – on the frame or in the pannier.

Index	Name	EAN	Length	Diameter	Colour	Packaging
0SUL0320165.06L2XP	ULTRA PLUS 320/165L	5902203365137	32 x 16,5 cm	14 mm	BLACK & BLUE	6 / 12



Gerda® Class



ULTRA COMBO 245 153C

U-LOCK with combination lock with carrying handle included.
Convenient opening and closing without the need for a key.
4-digit code that can be set individually.
Steel 14 mm shackle bolted on both sides.
PVC cover protects bicycle from scratches.

 4-Digit Code

BICYCLE SHACKLE

Intended Use	Securing expensive bicycles. Securing the vehicle for a longer time in a reasonably safe place.
Guidelines	It is recommended to secure the bicycle through the frame and rear wheel. It is best to secure the bicycle to a post, railing or other fixed architectural element.
Transport	On the carrying handle.

Index	Name	EAN	Length	Diameter	Colour	Packaging
0SUL0245153.06C0XP	ULTRA COMBO 245 153C	5902203376782	24,5 x 153 cm	14 mm	BLACK	10




ARMORED FLEX 1500/22 RED

Reinforced cable – very strong and relatively lightweight twisted steel cable enclosed in armoring.

22 mm diameter steel rings protect the inner steel braid.

Textile cover protects the bike from scratches. Lightweight, long and secure lock.

Convenient double-sided key easy to use even in the dark. Lockable with a key.

 Type of key: N

 Number of keys: 2

Gerda® Class



REINFORCED BICYCLE LOOP LOCK

Intended Use	Securing medium-priced bicycles. Securing the bicycle for a longer time in a reasonably safe place.
Guidelines	It is recommended to secure the bicycle through the frame and rear wheel. It is best to secure the bicycle to a post, railing or other fixed architectural element.
Transport	Wrapped on seatpost, handlebars or transported in pannier.

Index	Name	EAN	Length	Diameter	Colour	Packaging
0SFA0150022.14N2ZP	ARMORED FLEX 1500/22 RED	5902203365144	150 cm	22 mm	RED	6 / 12



ARMORED FLEX 1500/22 BLUE

Reinforced cable – very strong and relatively lightweight twisted steel cable enclosed in armouring.

22 mm diameter steel rings protect the inner steel braid.

Textile cover protects the bike from scratches. Lightweight, long and secure lock.

Convenient double-sided key easy to use even in the dark. Lockable with a key.

 Type of key: N

 Number of keys: 2

Gerda® Class



REINFORCED BICYCLE LOOP LOCK

Intended Use	Securing medium-priced bicycles. Securing the bicycle for a longer time in a reasonably safe place.
Guidelines	It is recommended to secure the bicycle through the frame and rear wheel. It is best to secure the bicycle to a post, railing or other fixed architectural element.
Transport	Wrapped on seatpost, handlebars or transported in pannier.

Index	Name	EAN	Length	Diameter	Colour	Packaging
0SFA0150022.23N2ZP	ARMORED FLEX 1500/22 BLUE	5902203365151	150 cm	22 mm	BLUE	6 / 12

MAINTENANCE PRODUCTS

The product for the maintenance of bicycle locks, locks and cylinders allows for the cleaning and regular maintenance of the locking mechanism, which contributes to its long life and trouble-free operation.
How to use – inject a small amount into the opening of the cylinder, lock mechanism or padlock.

Available in 3 sizes:
25 ml,
100 ml
and 400 ml.



MAINTENANCE

Intended Use	The product cleans, lubricates, removes water, preserves and protects against corrosion all types of locking mechanisms.
Guidelines	It is recommended to clean and maintain the locking mechanisms of bicycle locks after each use in contact with moisture and dirt. It can also be used to clean, lubricate and maintain the bicycle.

Index	Name	EAN	Capacity	Packaging
24.66-0002.0015	PRODUCT FOR THE MAINTENANCE OF CYLINDERS AND LOCKS	5907620050215	25 ml	24
24.66-0002.0026	PRODUCT FOR THE MAINTENANCE OF CYLINDERS AND LOCKS	5907620050192	100 ml	24
24.66-0002.0027	PRODUCT FOR THE MAINTENANCE OF CYLINDERS AND LOCKS	5907620050208	400 ml	12

SAFETY FOR YEARS

This product catalogue does not constitute an offer within the meaning of the law and is provided for information purposes only.

Gerda Sp. z.o.o., striving to improve the quality of its products and services, reserves the right (without prior notice) to make changes to products which, due to the process of preparing printed material, may not be included in this material.

Despite our efforts to carefully check the information presented, factual or printing errors may occur. The colours presented in the catalogue may differ from the original due to a different colour reproduction method in the printing process.

The owner of the copyright of this catalogue, Gerda logos and graphic elements is Gerda Sp. z o.o.
Any unauthorised copying and distribution of this material without prior consent of Gerda Sp. z.o.o. is prohibited.